

Before you begin

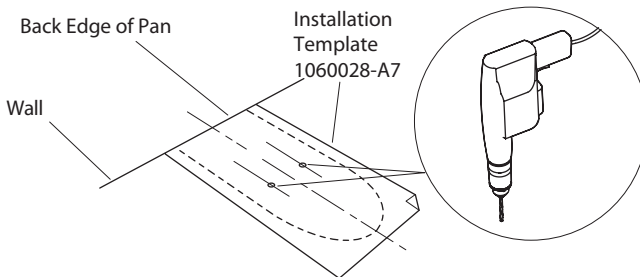
- Make sure product is installed by a competent installer.
- Read all installation instructions carefully before proceeding.
- Carefully inspect the new item for any signs of damage.
- Included components: 12504A-NA Pan Connector
100794 20mm Offset Pan Collar

Install the Plumbing

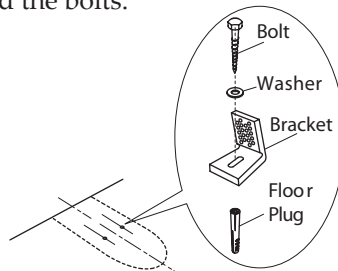
- Make sure that the services are installed to the dimensions for the particular WF pan. The recommended cistern is Kohler Part No. 10611A-CP 3/4.5L
- Apply a layer of grease to the inside of the inlet and outlet pipe holes.
- The inlet and outlet pipes must be cut to the correct length in accordance with the cistern manufacturer's instructions.

Install the Toilet

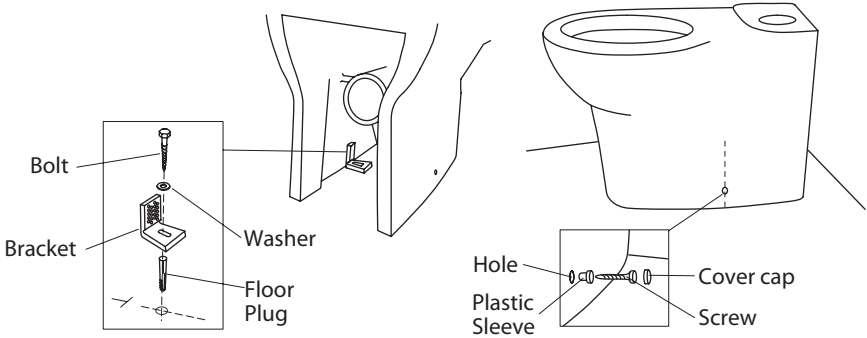
- Place the template on the floor, align the back edge to the wall and secure the template in position. Drill the fixing holes with an 8 mm drill.



- Fit the clamps or bracket to the floor and secure in position with the floor plugs, washers and the bolts.

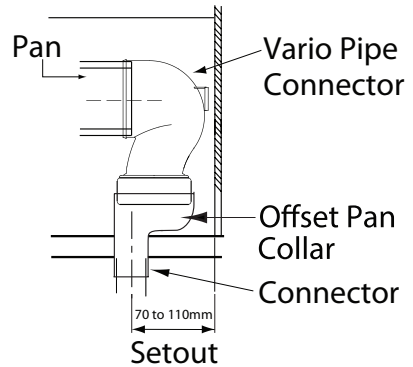


- Position the WC over the floor fixings and connect the waste connector to the waste pipe.
- Secure the WC to the brackets with the plastic sleeves and the screws. Fit the plastic cover caps over the heads of the screws.



Vario Trap Installation

- Define the position of the connector. Place the connector and offset collar onto the waste pipe.
- Rotate the offset collar to achieve the required setout distance. Attainable range is 70-110mm.
- Insert the Vario pipe connector into the offset collar and lubricate the seal.
- Push the pan towards wall so the waste outlet enters the connector seal.



Finish the Installation

- Ensure that all the connections are tight.
- Turn on the water supply and check for any leaks.
- Flush the toilet to check for correct operation.

Contact and Warranty Information

Call us for help or for warranty information please visit our website.

New Zealand

Free Ph 0800 564 537
Free Fax 0800 664 488
www.kohler.co.nz

Australia

Free Ph 1800 KOHLER
(1800 564 537)
www.au.kohler.com

KOHLER®