

942A-4 8" HOB- MOUNT BASIN FAUCET

BEFORE YOU BEGIN

All information is based on the latest product information available at the time of publication. Kohler Co. reserves the right to make changes in product characteristics, packaging, or availability at any time without notice.

Please leave these instructions for the consumer. They contain important information.

NOTES:

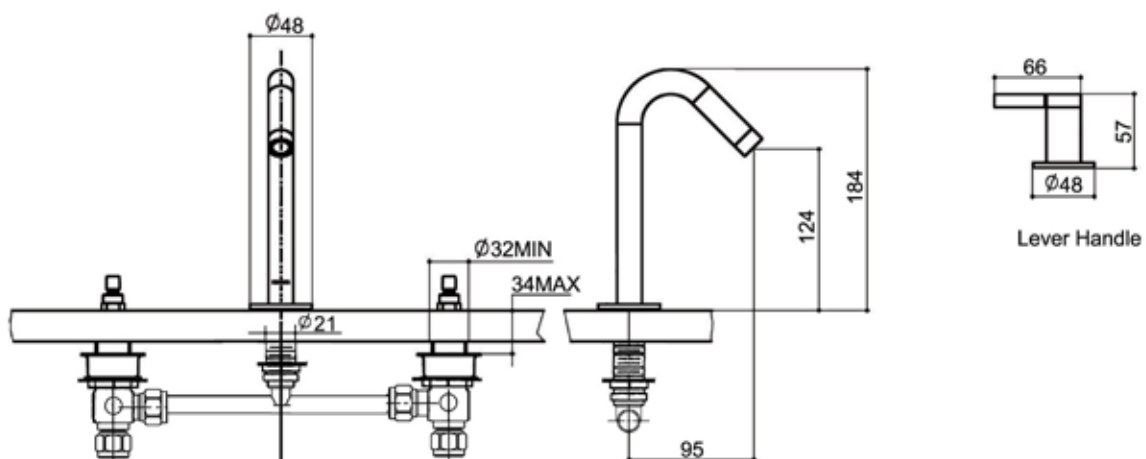
1. Flush the water supply pipes thoroughly to remove debris.
2. Inspect the supply tubing for damage. Replace as necessary.
3. Observe local plumbing codes.
4. If possible, install this faucet before installing the lavatory.

HANDLE OPERATION

Left handle opens with one-quarter turn counter-clockwise.

Right handle opens with one-quarter turn clockwise.

ROUGH-IN DIMENSIONS



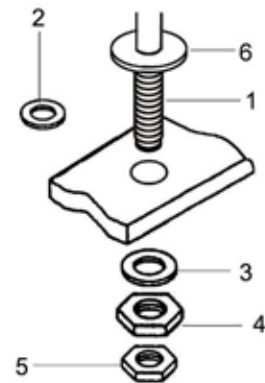
INSTALLATION

How To Install The Spout

Remove and retain the parts from the spout kit according to the following order: nut(5), nut(4) and metal washer(3).

Install the sticker washer(2) to the bottom of the escutcheon(6) through the shank(1).

Fit the spout to the center hole of lavatory. Install the washer(3), nut(4), nut(5). Adjust the position of the spout, and wrench to tighten nut(4), then tighten nut(5).

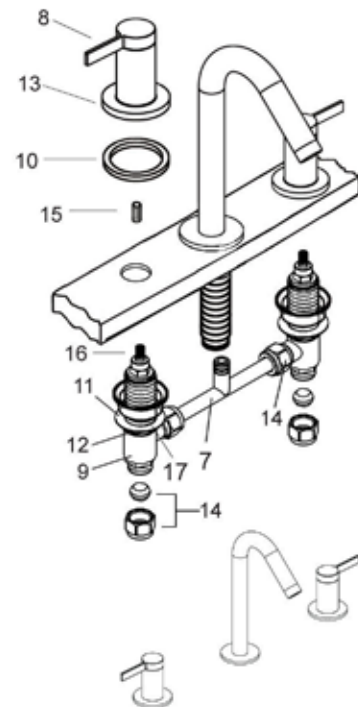


How To Install The Valve Bodies, Handles and Hoses

Remove the handle kit(8) from the side body(9). Install the sticker washer(10) into the groove on the bottom of the escutcheon(13). Trim the tee-piece to suit the basin hole centres. Assemble the tee-piece(7) and compression unions(14) to the sidebodies(9).

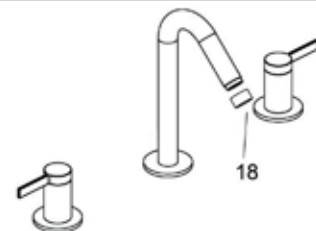
Insert the side body with dished washer(17), washer(11) and nut(12) through mounting holes from bottom of the lavatory (The side body with red mark on the left when facing the front of the faucet) and locate the tee-piece on to the spout shank. Press the spline adapter(15) onto the valve stem(16), reinstall and tighten the handle kit (The handle with the red washer on the left when facing the front of the faucet). Tighten the nut(12).

The configuration shown is the correct position of the handles in the closed position.



INSTALLATION CHECKOUT

Ensure that all connections are tight. Remove the aerator(18). Open the drain. Turn on the main supply and check for leaks. Open both hot and cold valves and run water through the spout to remove any debris. Turn the valve off. Reinstall the aerator.



CLEANING INSTRUCTIONS

All Finishes: Clean the finish with mild soap and warm water. Wipe entire surface completely dry with clean soft cloth. Many cleaners may contain chemicals, such as ammonia, chlorine, toilet cleaner etc. which could adversely affect the finish and are not recommended for cleaning.

Do not use abrasive cleaners or solvents on Kohler faucets and fittings.

942A-4 8" HOB- MOUNT BASIN FAUCET

