

# Installation and Home Owner's Guide

## In Wall Tank

10610A, 10611A

THE BOLD LOOK  
OF **KOHLER**®

## Thank You For Choosing Kohler Company

We appreciate your commitment to Kohler quality. Please take a few minutes to review this manual before you start installation. If you encounter any installation or performance problems, please don't hesitate to contact us. Our phone numbers are listed on the back cover. Thanks again for choosing Kohler Company.

## Tools and Materials



10" Adjustable Wrench



Supply Shut-Off Valve



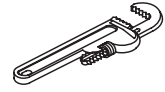
Tape Measure



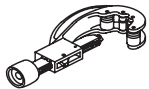
Level



Sponge



Pipe Wrench



Tubing Cutter



Safety Glasses



Drill and assorted bits

### Plus:

- Connector
- Metal File
- 1/2" Nut Driver/Socket
- Hacksaw
- Screwdriver
- TEK Screws x 10

## Before You Begin

Read the installation guide carefully and install the product accordingly. The product information contained in this publication is correct at the time of printing. Kohler Co. reserves the right to implement changes or product characteristics, packaging and availability at any time without further notice. Do not use corrosive cleaners or solvents in or on the tank. This may damage the tank. Do not use any spare parts which are not supplied by Kohler. Kohler will not be responsible for any damage due to the installation of non approved spare parts.

## Warning

This product is designed for a water supply pressure range of 20 psi (137kPa) minimum to 80psi (550 kPa) maximum.

Any installations where the supply pressure is outside of these limits will not be covered by warranty.

## Ordering Information

| Tank SKU's |                                    |
|------------|------------------------------------|
| SKU        | Description                        |
| 10610A-NA  | In wall tank 3/6L without frame.   |
| 10611A-NA  | In wall tank 3/4.5L without frame. |

---

### Features

- Anti back flow device.
- Adjustable water inlet level.
- Adjustable flush volume.
- Dual flush.
- Adjustable toilet fixing height.

---

### Design And Installation Concept of in-wall Tank

- Designed for easy installation.

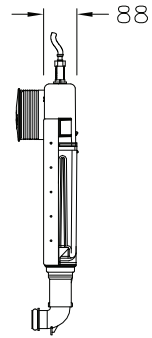
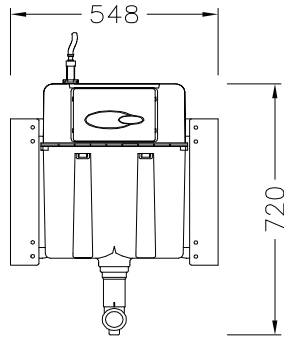
---

### Advantages Of In-wall Tank

- Corrosion resistant and leak proof design.
- Dual 3/4.5 or 3/6 litres flush.
- Easy installation for stud.
- Easy maintenance.
- Space saving.

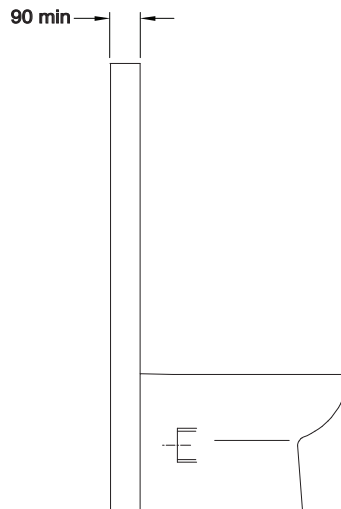
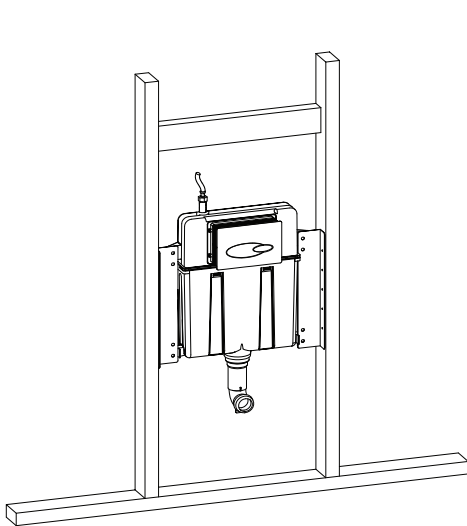
# Rough-in

## In Wall Tank Dimensions.



Unit: mm

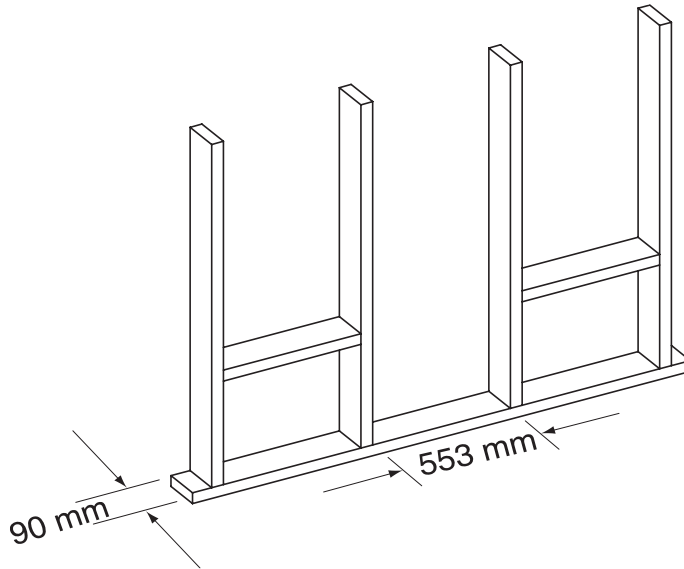
## Installation dimensions stud wall installation 10610A, 10611A



Unit: mm

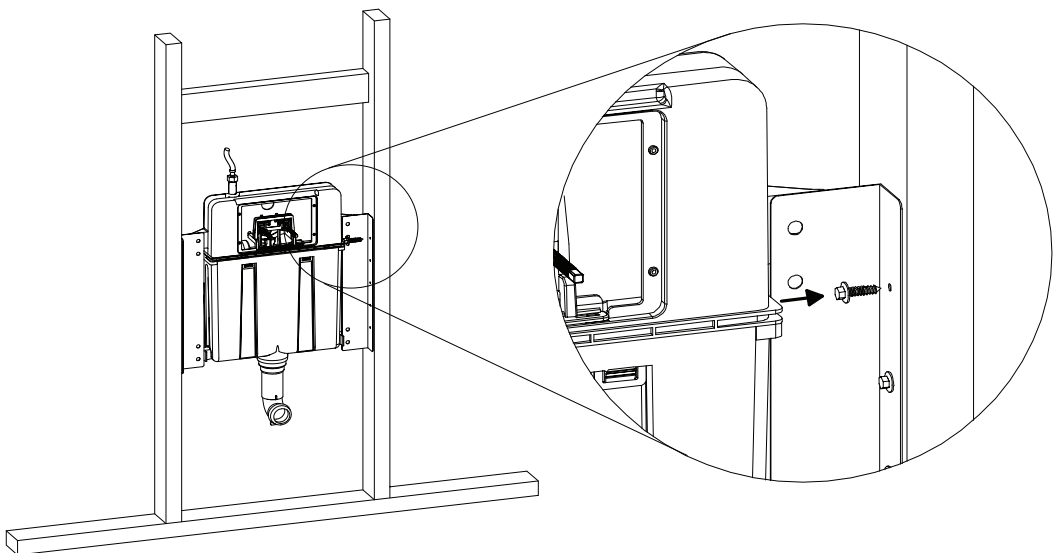
## Installation Procedures for an In-wall Tank in a Stud Wall

1. Minimum cavity (stud pocket) dimensions for installation of the in-wall tank, 553mm wide, 90mm deep.

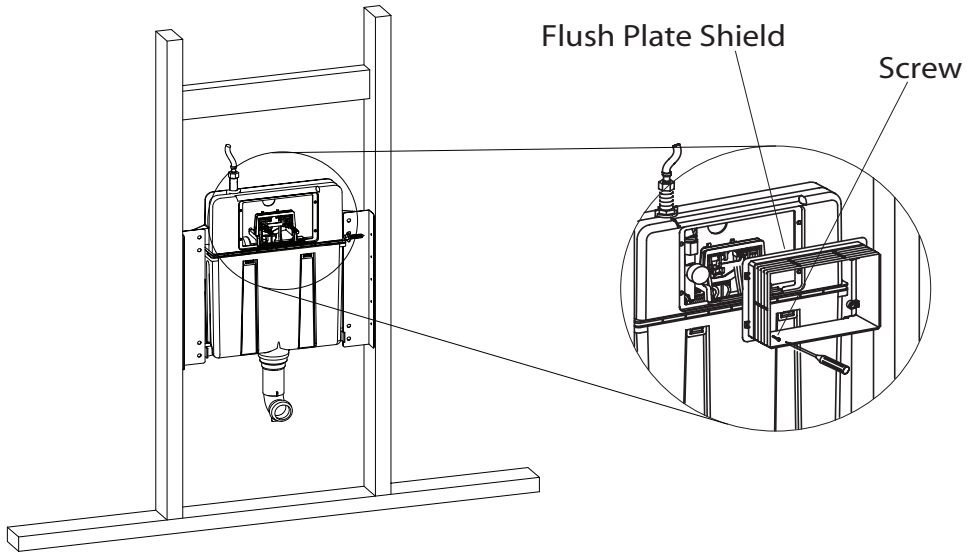


2. For the distance from the finished floor level to the centre of the water inlet, please refer to the toilet manufacturers installation instruction.

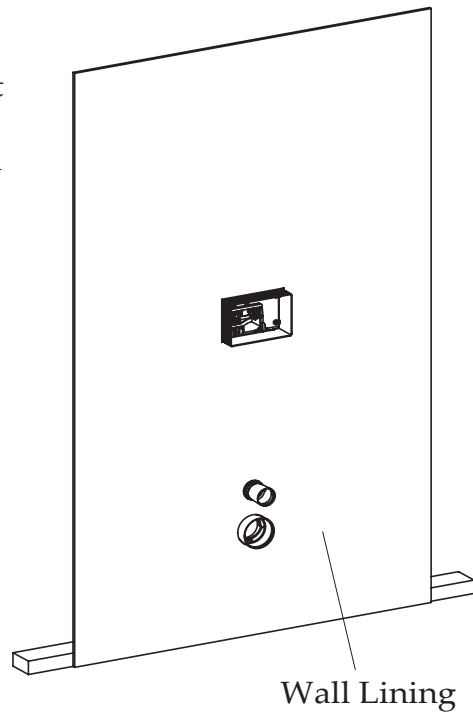
Fit the in wall tank to the stud's using the tek screws ensuring the centre of the water inlet is at the correct distance above the finished floor level.



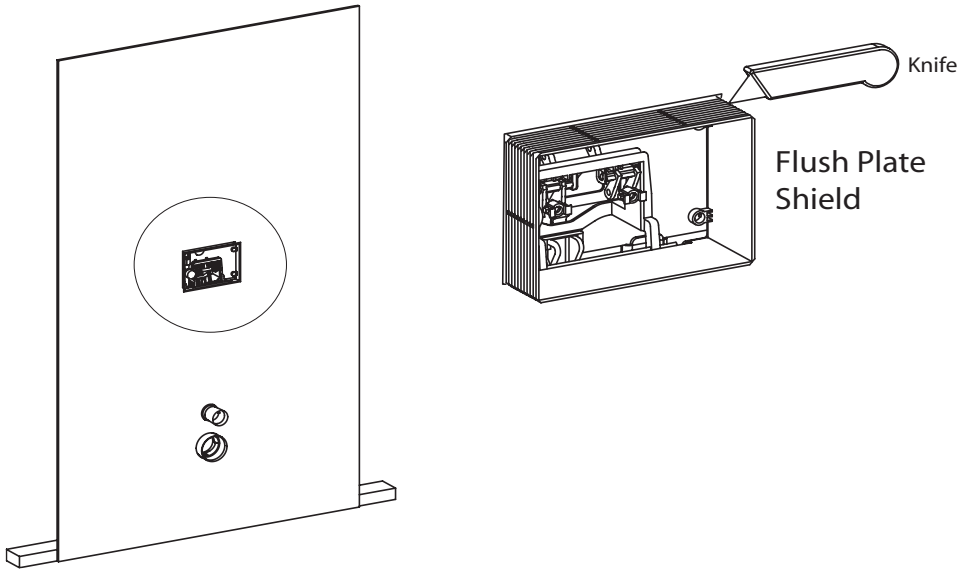
3. Screw the flush plate shield into position.



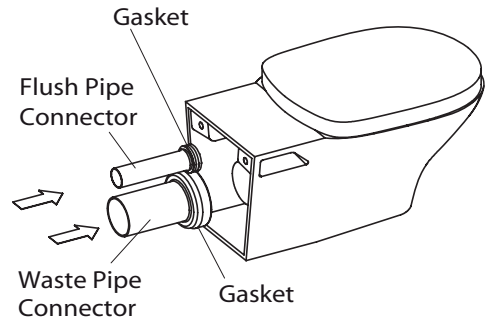
4. We recommend before cutting the wall lining, the toilet is fitted to the frame to verify that the pan height to the finished floor level is correct. Cut the wall lining to suit the position of the flush plate, waste pipe, flush pipe and toilet fixing holes. Fit the wall lining to the stud.



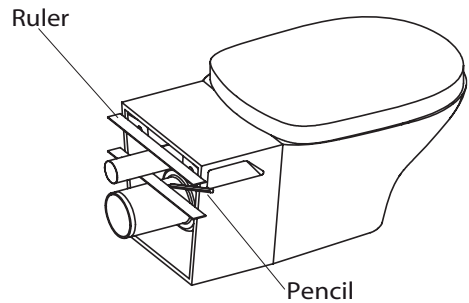
5. Using a sharp knife, trim the flush plate shield back level with the finished wall. If the finished wall is to be tiled please ensure the thickness of the tile is included. The trimmed flush plate shield must sit flush with the finished wall.



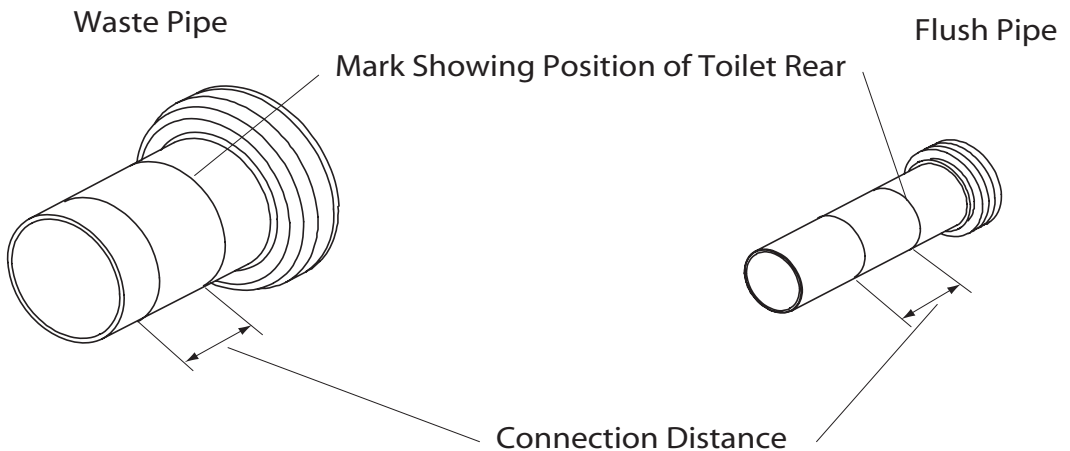
6. Fit flush pipe connectors and gasket to the flush pipe inlet on the toilet. Fit the waste pipe connector and gasket to the waste pipe outlet on the toilet.



7. Mark on the pipe connectors the position of the rear of the toilet. Remove the pipe connectors.

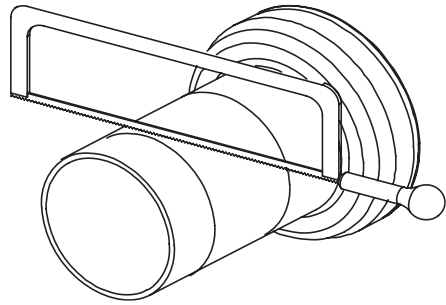


8. Mark on the pipe connectors a second line, which represents the connection distance required to connect the toilet to the flush and waste pipes within the wall. This connection distance is the distance between the rear of the tank and the hole in the wall lining.



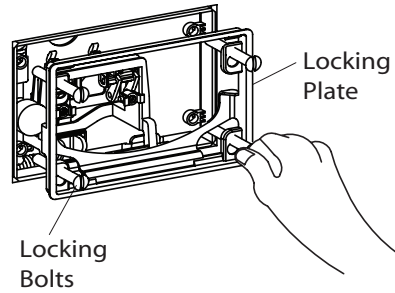


9. Cut both the waste pipe and flush pipe at the connection distance marks. Remove all burrs from the cut edges and reinstall on the toilet.



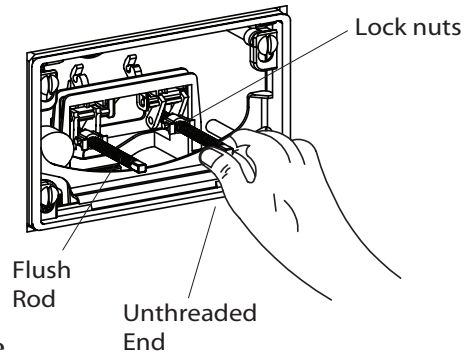
### Flush button installation

10. Fix the locking plate to the flush plate shield using the plastic locking bolts. To lock the bolts in position turn the bolt until the tab on the bolt head is vertical. Trim the length of the locking bolts if required.

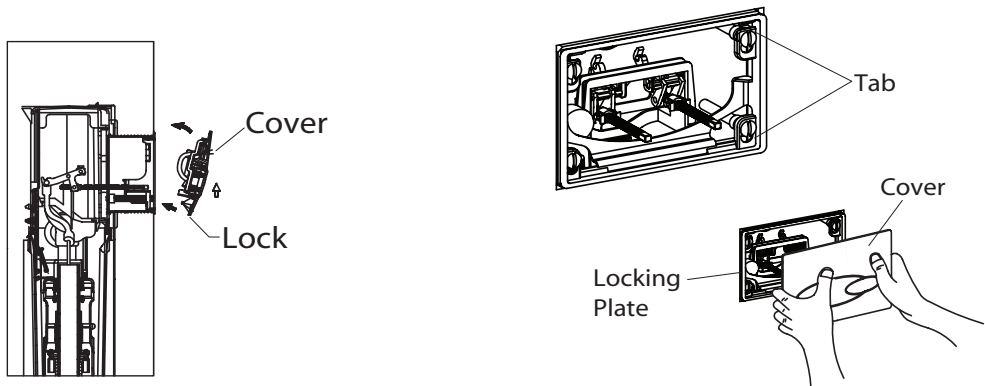


11. Screw the flush rods into the flush actuator until the unthreaded end of the rod is flush with the locking plate. Ensure the flush rod is secured through the square holes at the rear of the flush actuator.

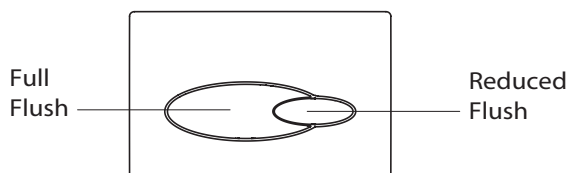
Test the flush action to ensure it is moving smoothly. Adjust the flush rod as required and then tighten the lock nuts to prevent adjustment over time.



12. With the cover positioned as shown, with the large button on the left hand side. Place the tabs of the cover on the bottom edge of the locking plate and push the cover into the position. Ensure the flush button operates smoothly.

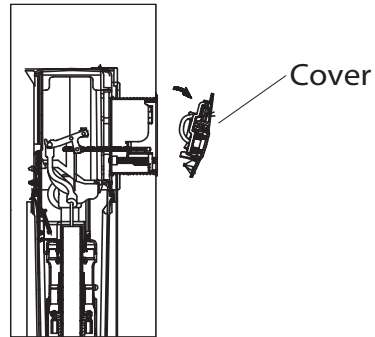


13. In-wall tank toilet is ready used.

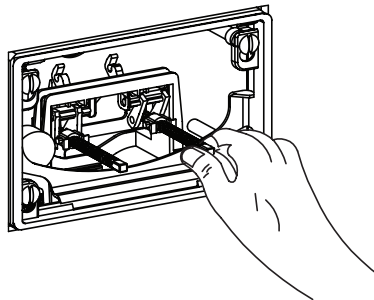


## Removal and Maintenance of Outlet Valves

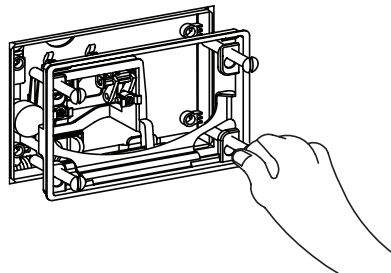
1. Hold the cover with both hands and push upward. Rotate the top of the cover away from the wall to release.



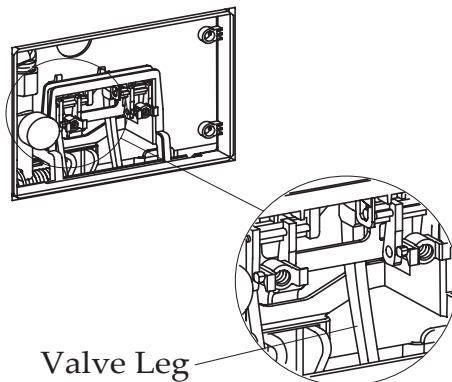
2. Unscrew the flush rods.



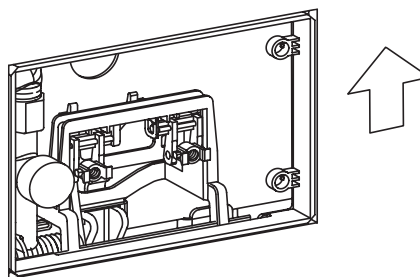
3. Turn the lock bolt to the OPEN position and remove the locking plate.



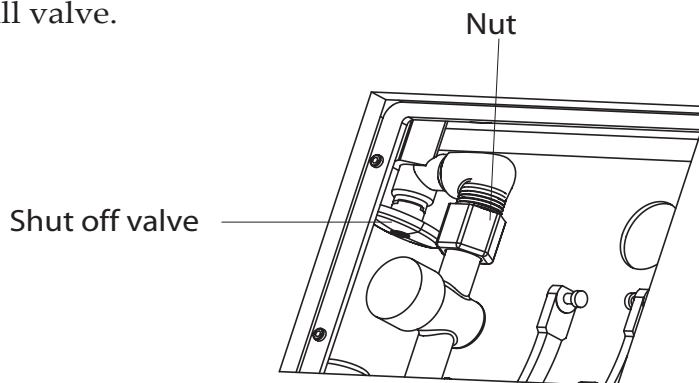
4. Unhook the 2 valve legs from the flush actuator.



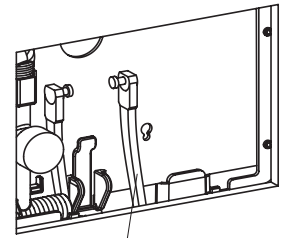
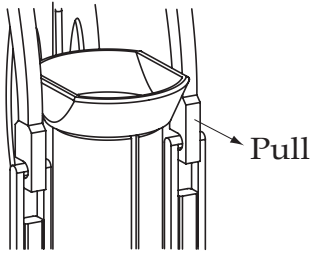
5. Lift the flush actuator upwards to release it from the tank and remove.



6. Turn the water off at the shut off valve inside the tank. Unscrew the fill valve fixing nut and remove the fill valve.

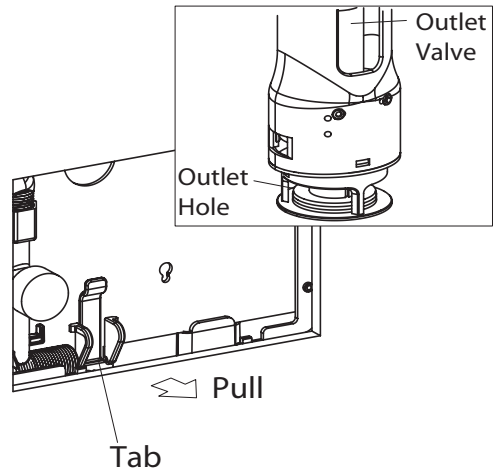


7. Note the orientation of the flush valve legs. Remove the legs from the flush valve by unhooking the base of the leg from the flush valve.

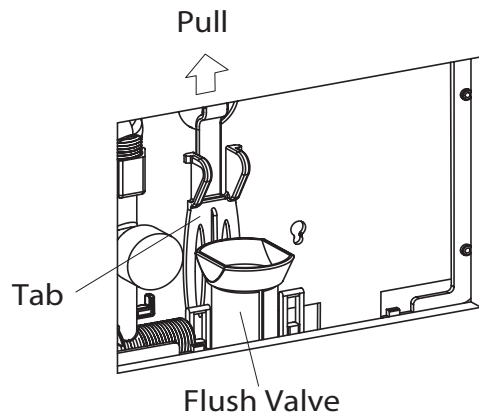


Flush Valve Leg

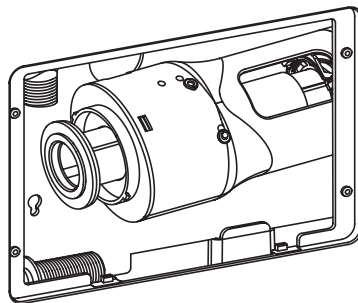
8. To release tab securing the flush valve by pulling it towards you. Rotate the flush valve anti clockwise to release it from the base.



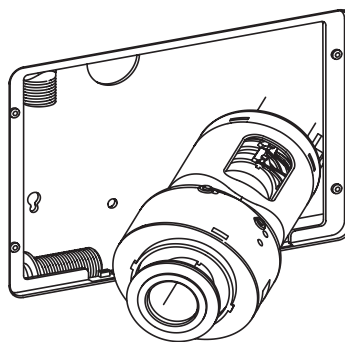
9. Lift the flush valve assembly including the securing tab up until the valve and tab can be held. Separate the tab from the flush valve by pulling it upwards. Remove the tab from the tank.



10. Lift and rotate the flush valve until it is horizontal.



11. Rotate the base of the flush valve out through the access panel.



12. To replace the flush valves follow these instructions in reverse order.

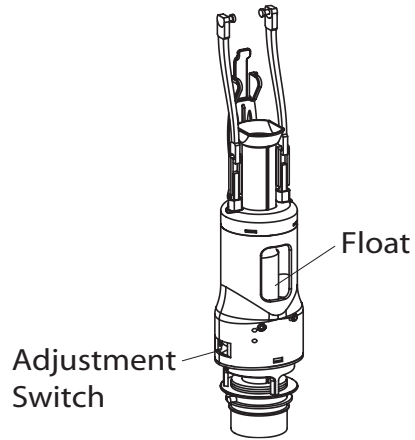
**Flush Valve Adjustment.**

**Full Flush:**

Adjust the position of the switch on the valve side to vary the full flush volume.

**Reduced Flush:**

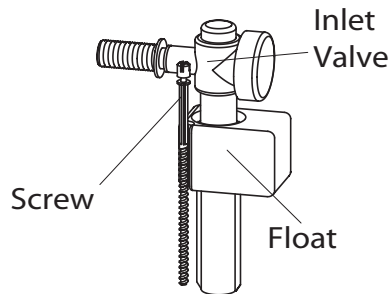
Adjust the position of the float to vary the reduced flush valve.



**Inlet Valve Adjustment.**

Turn the screw anti clockwise to reduce the water level.

Turn the screw clockwise to increase the water level.



**Trouble Shooting Procedures**

| Symptoms                    | Probable Causes                                   | Recommended Action  |
|-----------------------------|---|---|
| Tank not filling            | The shut off valve is closed                      | Open the shut off valve   |
|                             | The inlet valve float is stuck                    | Adjust the inlet valve to an appropriate position   |
|                             | The inlet valve filter is blocked by debris       | Remove the inlet valve and wash out the filter  |
| Flush not operating         | The flush rods require adjusting                  | Adjust the flush rods   |
|                             | Flush valve legs are disconnected                 | Ensure the flush valve legs are installed in the correct orientation and connected correctly  |
| Water level too high or low | Float level of the inlet valve requires adjusting | Adjust the inlet valve float level  |
| Tank does not stop filling  | The inlet valve float is stuck                    | Adjust the inlet valve to an appropriate position   |
|                             | The outlet valve is not sealing correctly         | Uninstall the outlet valve, check the seal, replace if worn. Remove any debris and reinstall. |

## INSTALLER NOTES



## Service Parts

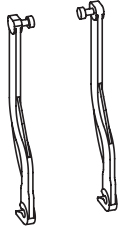
1. 1112165 Flush Valve.



2. 1112166 Flush Valve Gasket.



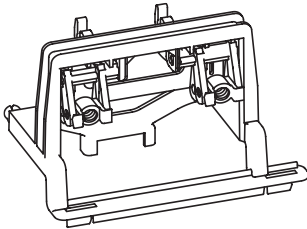
3. 1112167 Flush Valve Legs.



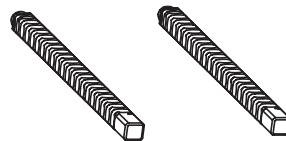
4. 1112168 Security Tab.



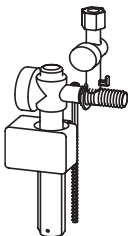
5. 1112169 Flush Actuator.



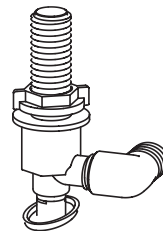
6. 1112170 Flush Rods.



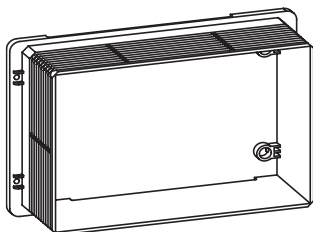
7. 1112171 Fill Valve.



8. 1112172 Shut Off Valve

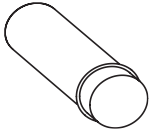


9. 1112173 Button Shield

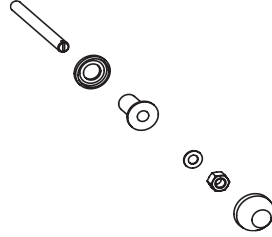


**Service Parts (continued)**

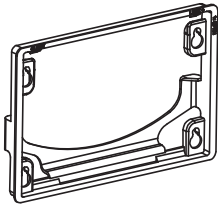
10. 1112179 Water Inlet Pipe.



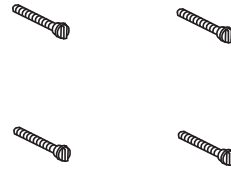
11. 1112181 Fixing Nut Assy.



12. 119206 Locking Plate.



13. 1059169 Locking Plate Bolts.





## CONTACT AND WARRANTY INFORMATION

For warranty information, please visit our website

Australia  
[www.au.kohler.com](http://www.au.kohler.com)

New Zealand  
[www.kohler.co.nz](http://www.kohler.co.nz)

# KOHLER

## CALL US FOR HELP

---

NEW ZEALAND  
KOHLER NZ LTD

Free Ph: 0800 564 537 (0800 KOHLER)  
Free Fax: 0800 664 488  
[www.kohler.co.nz](http://www.kohler.co.nz)

AUSTRALIA  
KOHLER CO.

Free Ph: 1 300 362 284  
Free Fax: 1 300 652 284  
[www.au.kohler.com](http://www.au.kohler.com)