

BEFORE YOU BEGIN

- Please read these instructions carefully to familiarise yourself with the required tools, materials, and installation sequences. Follow the sections that pertain to your particular installation. This will help you avoid costly mistakes. In addition to proper installation, read all operating and safety instructions.
- All information is based on the latest product

information available at the time of publication. Kohler NZ Ltd. reserves the right to make changes in product characteristics, packaging, or availability at any time without notice.

- These instructions contain important care, cleaning, and warranty information-please leave these instructions for the consumer.

ROUGHING-IN & DIMENSIONS

A. BUBBLE MASSAGE BATH

Ordering Information

Product	Air switch
REGATTA drop in	11303A-GAB-0
EVOK RECT drop in	18263A-GAB-0
EVOK RECT freestanding	18344A-GAB-0
EVOK OVAL drop in	18346A-GAB-0
EVOK OVAL freestanding	18348A-GAB-0
OVE RECT drop in	1709A-GAB-0
ESCALE drop-In	11343A-GAB-0
ESCALE free Standing	11344A-GAB-0

B. Required Electrical Service

Dedicated branch circuit required, protected with Class A Ground-Fault Circuit-Interrupt (GFCI):

Blower	220~240V, 10.A, 50Hz
--------	----------------------

Blower	Part #	Motor	Heater	Voltage	Freq	Amperage
Kohler AP300 - air switch	1128A-CP	300 W	180W	220~240 V	50-60Hz	2.2A

If supply cord or interconnection cord is damaged, it must be replaced by the manufacturer, its service agent or similarly qualified persons in order to avoid a hazard.

C. Installation

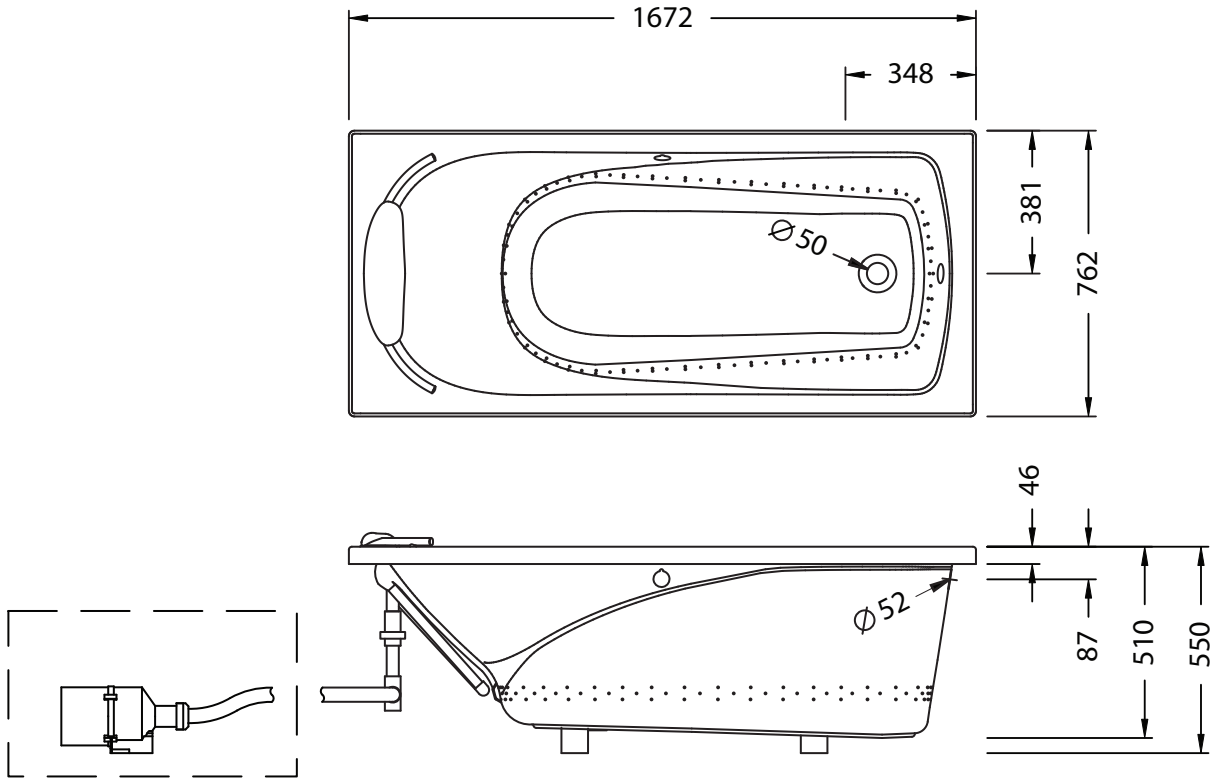
Read the entire installation instructions before beginning the installation.

D. Dimensions

Detached blowers are supplied with a 1.5m flexible coupling. This allows the blower to be positioned at the installers discretion. For serviceability of the blower, an access panel of 450mm x 400mm must be fitted. If access to the blower is not provided, then no warranty service will be provided.

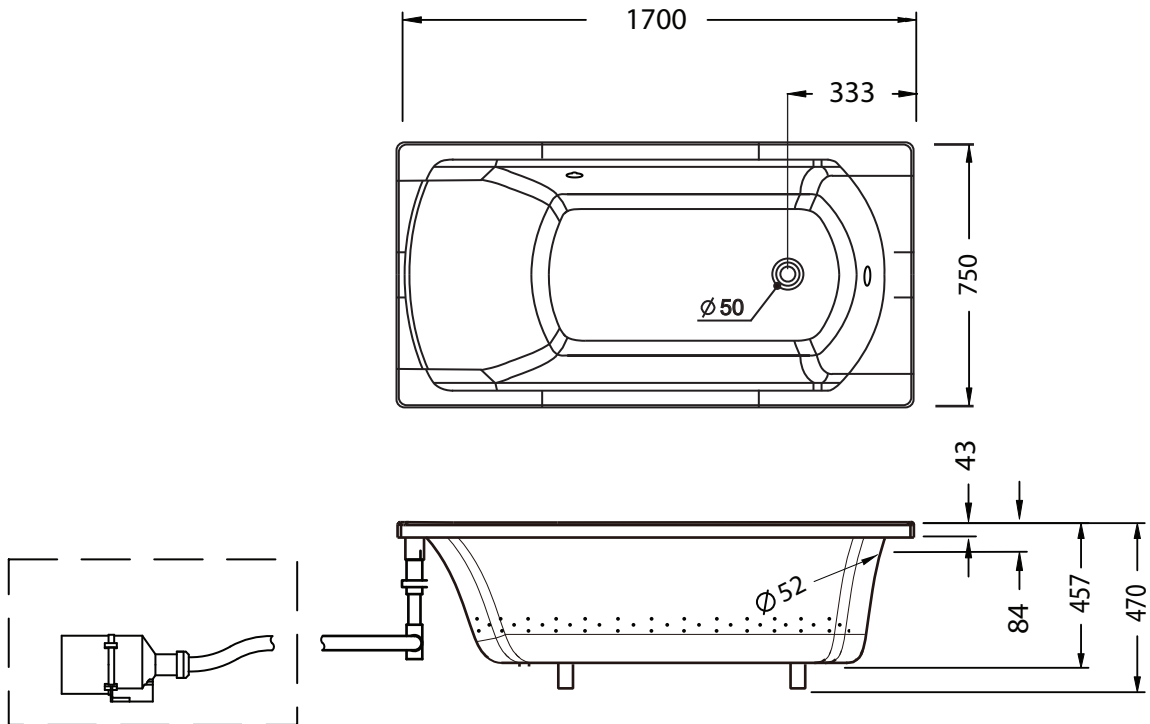
REGATTA BUBBLE MASSAGE

11303A-GAB-0



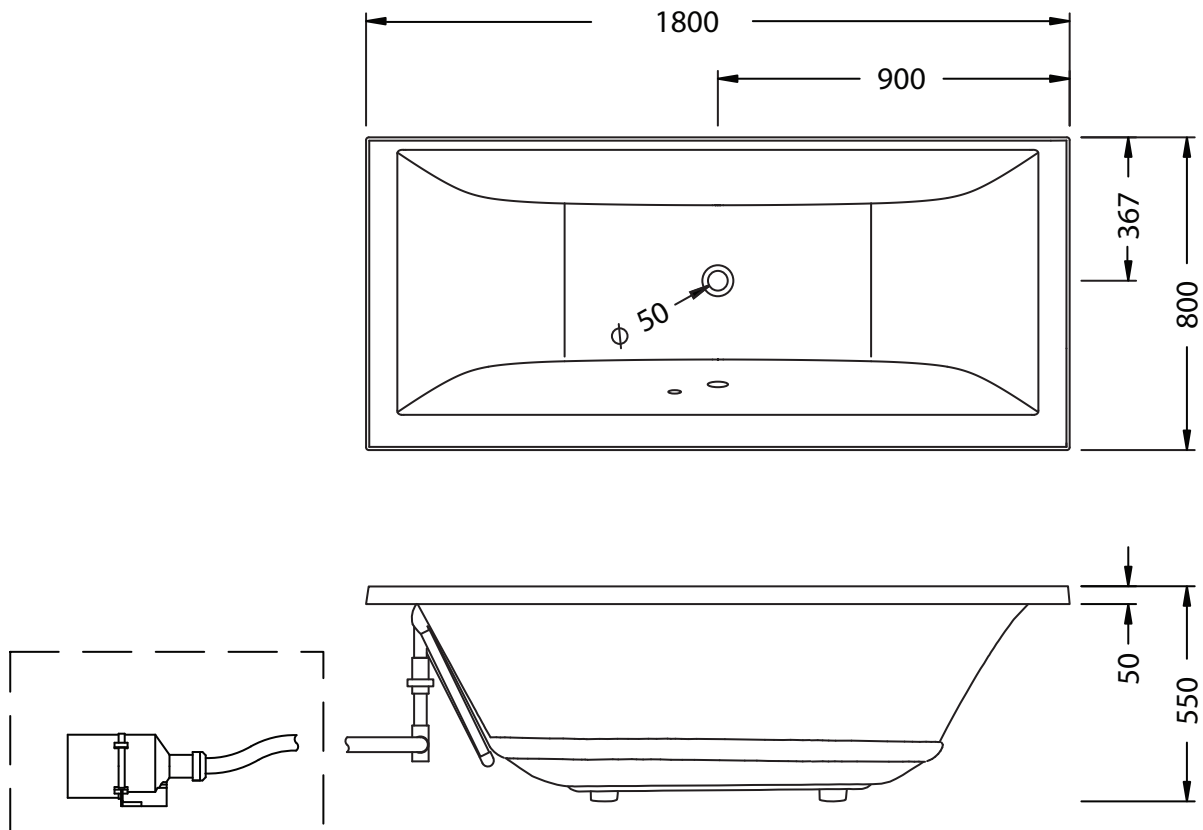
OVE BUBBLE MASSAGE

1709A-GAB-0



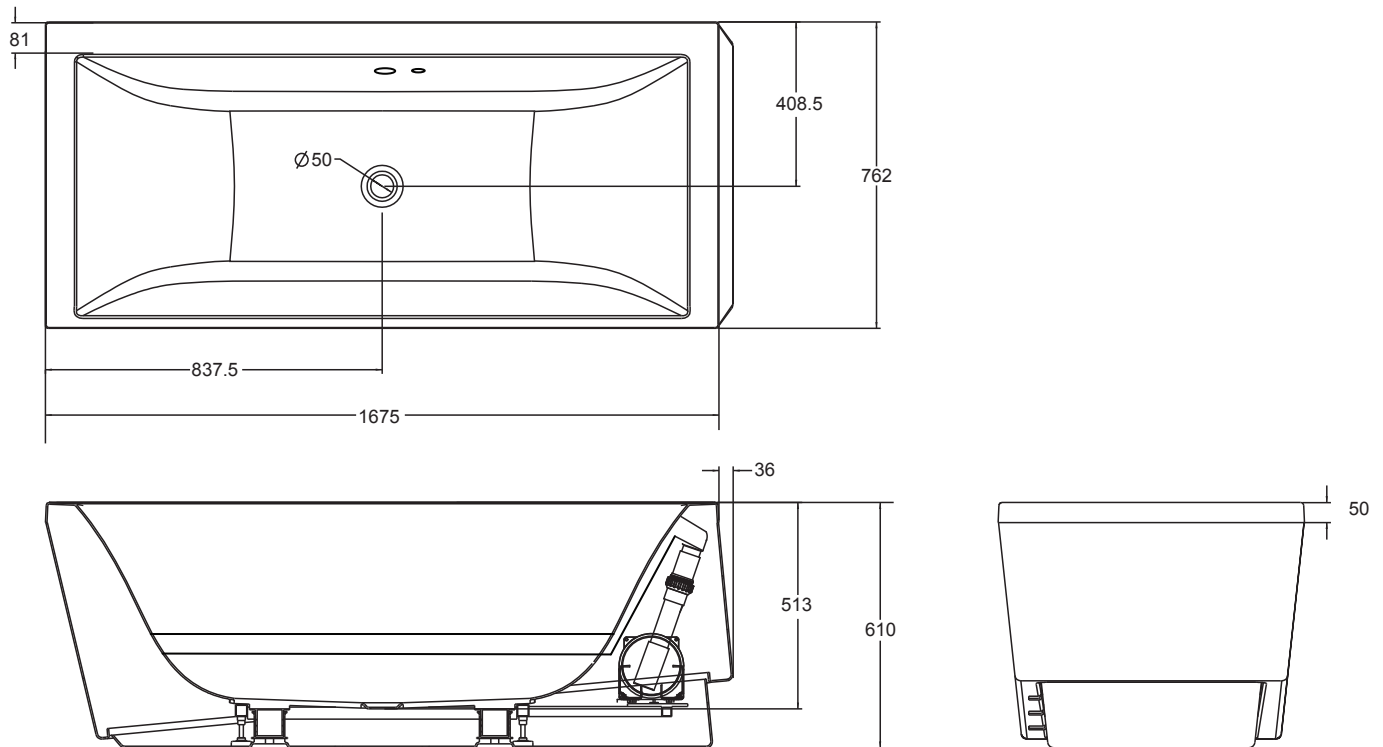
EVOK BUBBLE MASSAGE

18263A-GAB-0



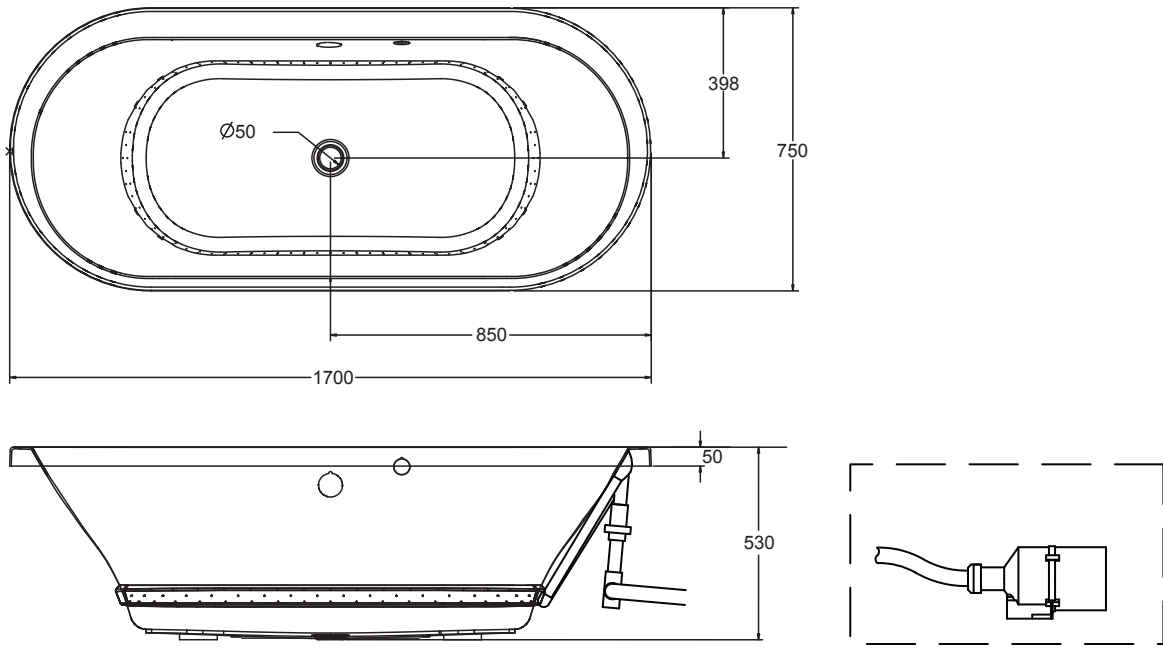
EVOK RECT FREESTANDING BUBBLE MASSAGE

18344A-GAB-0



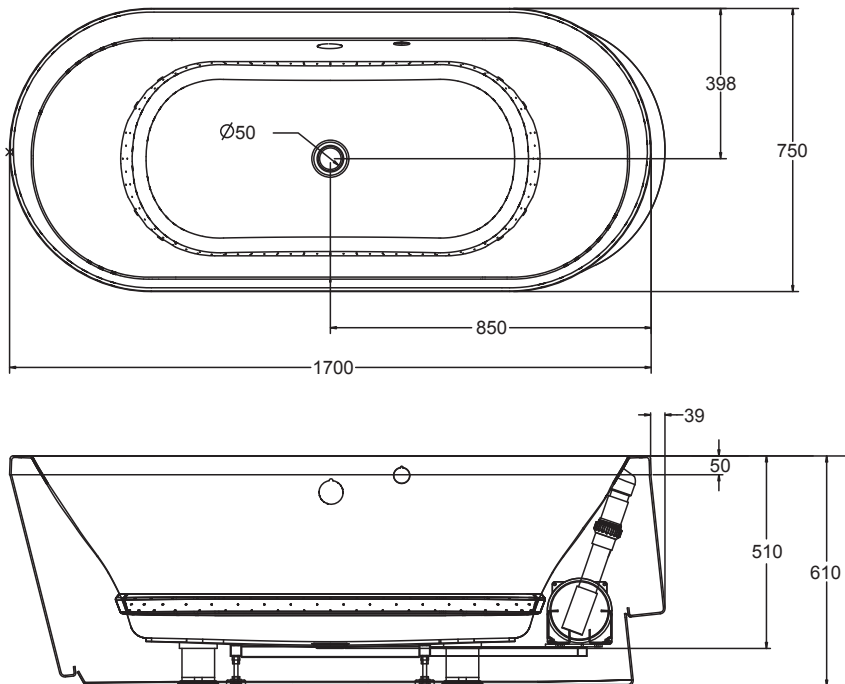
EVOK OVAL BUBBLE MASSAGE

18346A-GAB-0



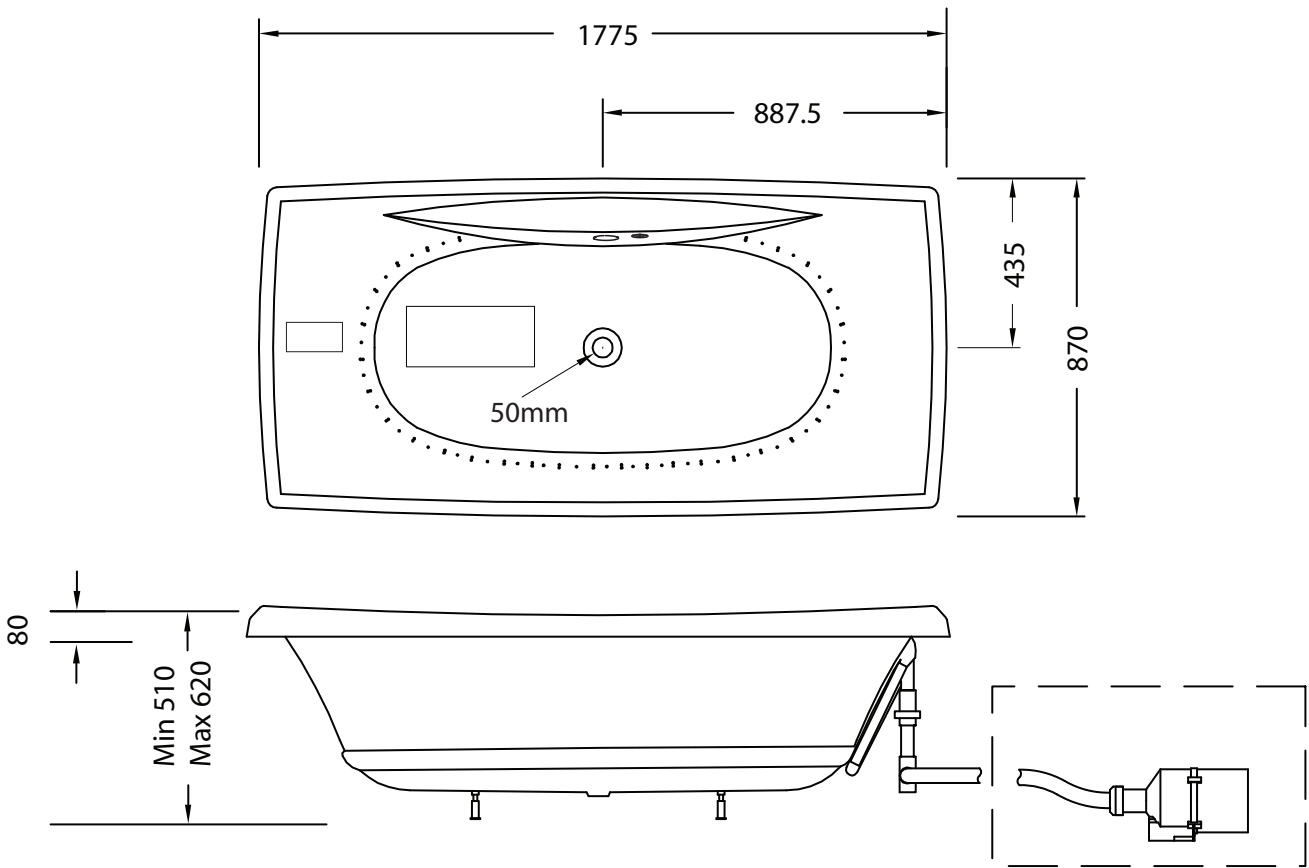
EVOK OVAL FREESTANDING BUBBLE MASSAGE

18348A-GAB-0



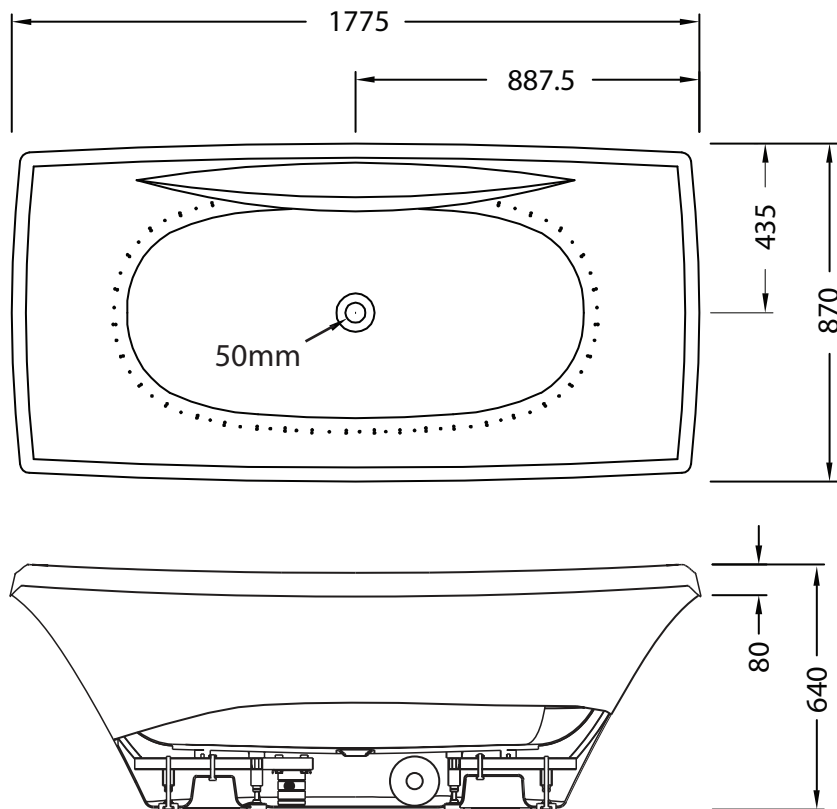
ESCALE DROP-IN BUBBLE MASSAGE BATH

11343A-GAB-0









ESCALE FREESTANDING BUBBLE MASSAGE BATH

11344A-GAB-0



PRODUCT NOTICES

A. Installation Hazard Notification

-  **WARNING: Risk of electrical shock.** A licensed electrician should make all electrical connections.
-  **WARNING: Risk of electrical shock.** Connect only to a circuit protected by a Ground-Fault Circuit-Interrupter (GFCI) or Earth-Leakage Circuit-Breaker (ELCB).
-  **WARNING: Risk of electrical shock.** Disconnect power before servicing.
-  **WARNING: Keep the area around the blower motor clean and free of debris.** Ensure that the area around the blower motor is free of sawdust, insulation, dirt, or other small loose debris. Such material could clog the blower motor air ducts and reduce the airflow through the blower.
-  **WARNING: Unauthorised modification may cause unsafe operation or affect performance of the bath with airjets.** Do not relocate the blower motor, or make other modifications to the system in the absence of kit instructions, as this could adversely affect the performance and safe operation of the bath with airjets. Kohler NZ shall not be liable under its warranty or otherwise for personal injury or damage caused by any such unauthorised modification.
-  **WARNING: Risk of injury or property damage.** Please read all instructions thoroughly before beginning installation, including the following Product Requirements.

PRODUCT REQUIREMENTS

A. Summary Of Key Requirements

- Observe all local plumbing codes.
- Install the unit to a level subfloor.
- Provide properly-dimensioned framing.
- Baths with airjets are designed for a variety of installations, depending upon the model chosen.

C. Electrical Requirements

The installation must have a Class A Ground-Fault Circuit-Interrupter (GFCI). The GFCI protects against Line-to-ground shock hazard. Use a 220-240 V, 10A (minimum), 50 Hz dedicated service for the bath with airjets.

B. Plumbing Specifications

If using a rim-mounted bath faucet, flexible connections between the valves and spout may be required. Confirm adequate mounting, connection space of specified faucet for your installation.

Confirm adequate support for the faucet; large faucets that may inadvertently be used as a means of support are not appropriate or safe for this installation.

D. Product Inspection

Carefully unpack and inspect the bath with airjets for damage. Leave all materials in the carton during construction to prevent damage.

INSTALLATION REQUIREMENTS

A. Tools Required

- Adjustable pipe wrench
- Rule
- Level
- Safety shoes
- Safety glasses
- Square
- Screwdriver
- Pliers
- Utility knife
- Pencil
- Measuring Tape

B. Materials Required

- Plumber's putty
- Wall coverings, as necessary
- Silicone sealant
- Gypsum cement (optional)
- Construction adhesive (optional)
- Protective covering for bathtub
- Nails
- Silicone Sealant
- PVC Cement

Plus:

- Conventional woodworking tools and materials or conventional bricklaying tools and materials
- Drop Cloth
- Construction adhesive (optional)
- Cement or mortar (optional)
- 2x4s or 2x6s

SITE REQUIREMENTS

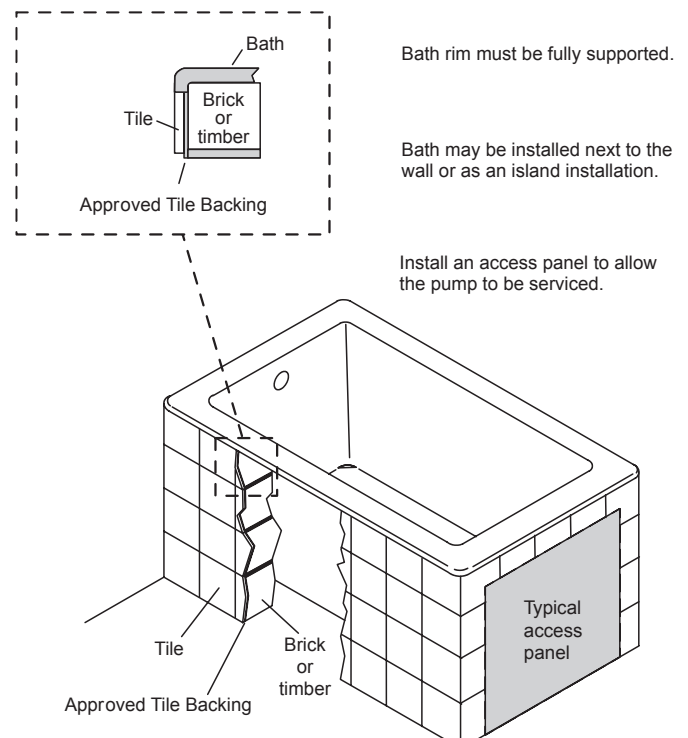
A. Prepare the Site

CAUTION: Risk of product damage. Do not only support the bath by the rim.

NOTICE: Unless otherwise specified, floor support under the bath must provide for a minimum of 80 lbs./square foot (390kg./square metre) loading.

NOTICE: Provide adequate ventilation and a minimum of 15 cubic feet (.4 cubic metres) in the installed location for cooling the motor and to supply sufficient air for the blower. Do not install the blower motor closer than 2.5mm from the wall or other objects.

- Make sure the flooring offers adequate support for your bath, and verify that the subfloor is flat and level.
- This bath may be installed in a drop-in or in an island installation. An island installation requires a four-side surround.
- Install an access panel to allow the blower to be serviced. Ventilation access is recommended.
- Construct brick, concrete or timber supports.
- Ensure the bath rim is fully supported. Frame the floor, or construct a frame for a raised installation, in accordance with the roughing-in information packed with the bath.

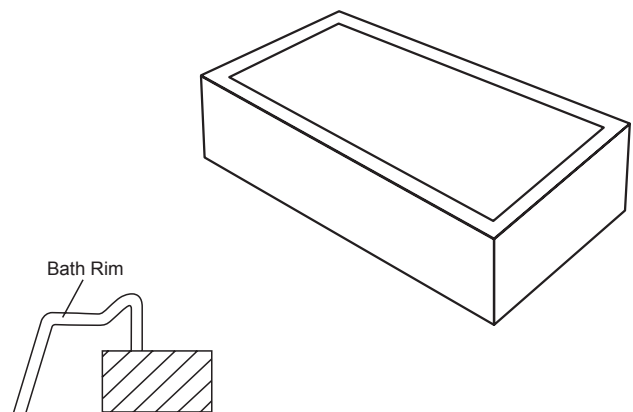


B. Whirlpool Area Construction Preparation (Optional)

Make sure you allow for access to the blower in the event the unit requires service. When constructing the framing, allow for the thickness of sub and finish wall material (e.g. mortar mix and ceramic or marble tiling).

When choosing a blower installation position, check that the switch cable will reach the blower.

Drop In Installation: Refer to rough-in notes on page 2 for cut-out details. Whirlpool must be supported both on the rim and on the supporting feet. Do not allow the whirlpool to be supported by the rim alone.



BEFORE INSTALLING

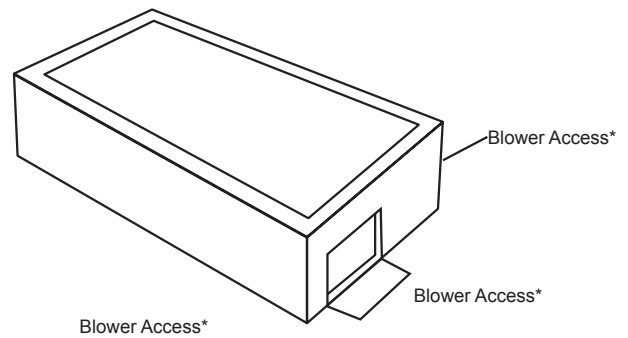
A. Your new whirlpool has been manufactured to the highest possible standards, it has been factory tested and approved.

B. When removing bath from protective carton **DO NOT LIFT BATH BY PIPE WORK.** Inspect for any possible damage that may have occurred in transit. Position a clean drop cloth or similar material in the bottom of the bath to protect the finish. Be careful not to scratch the surface of the bath.

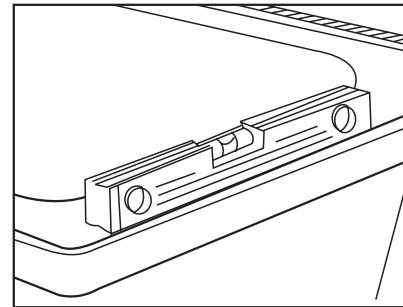
- C.** Identify suitable blower installation and access positions before proceeding with installation. A suitable power outlet will also be required within 610mm of the blower. **See section H.**

NOTE: NO MOTOR ACCESS NO WARRANTY SERVICE. Ventilation must be provided in order to allow heat from motor to dissipate.

This is not required for freestanding products.



- D. IMPORTANT:** Bath must be installed level on all top edges.



- E.** Install the drain to the bath according to the drain manufacturer's instructions. Do not connect the trap at this time.

If a pop up waste/overflow has been selected as an accessory, then an extra overflow hole might require drilling. The position of the overflow holes are shown on page 2. (Refer to part 'M' in the next section for cutting and drilling instructions)

INSTALL THE BATH

⚠ CAUTION: Risk of product damage. Do not lift the bath with airjets by the air channels or blower motors, or use the air channels or blower motor for structural support of the bath.

⚠ CAUTION: Risk of product damage. Do not support the bath by the rim.

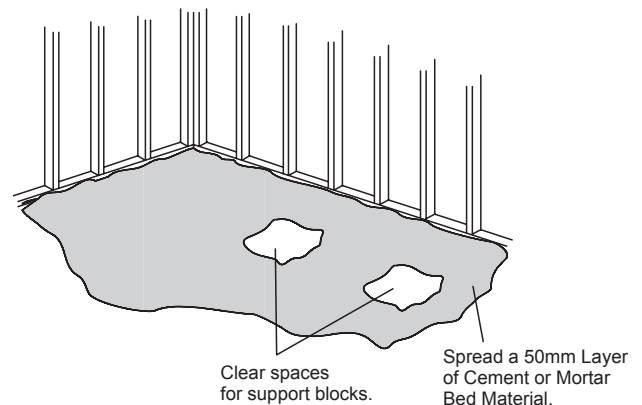
If the subfloor is not level, shim the bath support blocks as necessary.

For freestanding bath installations, follow the separate installation instructions that are provided.

A. Option Using a Cement or Mortar Bed

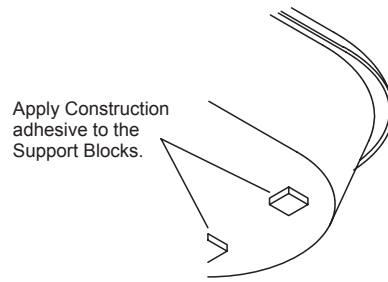
NOTE: Do not use gypsum cement or drywall compound for this application, as they will not provide an acceptable, durable bond.

- Spread a 50mm thick layer of cement or mortar on the subfloor where the bath will be set. This will help secure, level, and support the unit. Clear all the material away from the support block locations.
- Position a piece of plastic drop cloth material on top of the cement or mortar bed.
- With help, carefully lift the bath into place, and make sure the support blocks do not rest in the bed Material.
- Insert the drain tailpiece into the trap. Make sure the bath is level and resting on all support blocks.
- Remove the protective tape from the rim.



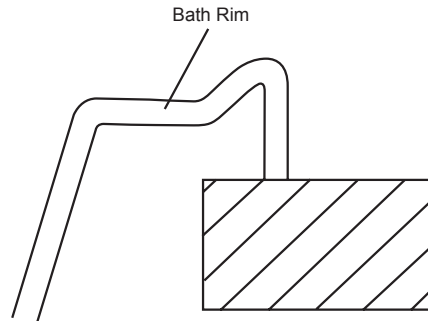
B. Option Using Construction Adhesive

- Apply a generous amount of high-quality construction adhesive to the bottom of the support blocks.
- With help, carefully lift the bath into position.
- Insert the drain tailpiece into the trap. Make sure the bath is level and resting on all support blocks.
- Remove the protective tape from the rim.



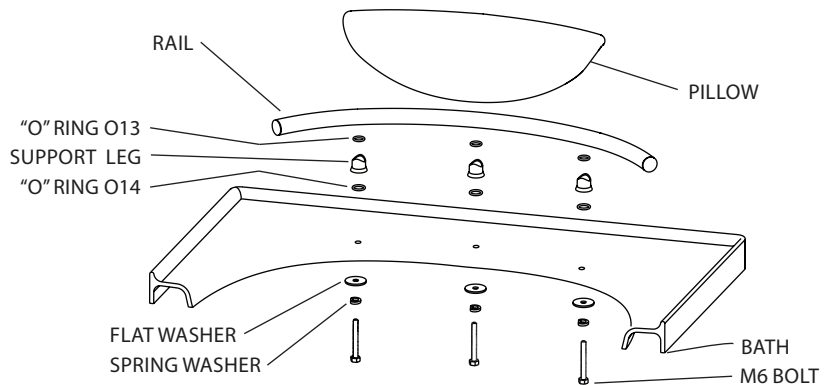
C. Option Using Silicone Sealant

- With help, carefully lift the bath into position.
- Insert the drain tailpiece into the trap. Make sure the bath is level and resting on all support blocks.
- Remove the protective tape from the rim. Apply a continuous bead of high-quality silicone sealant around the entire rim of the bath.
- Allow the sealant to cure according to the manufacturer's instructions.



D. Install the pillow rail (Regatta Bubble Massage Bath Only)

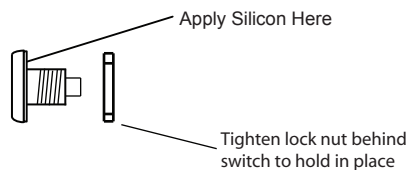
- Refer to the exploded view for installation of the pillow rail.



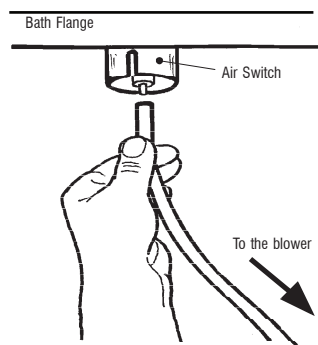
E. Install the Blower Switch (For Detached Blower Versions Only)

Install the air switch as follows

- Apply silicone sealant to switch and press into hole.



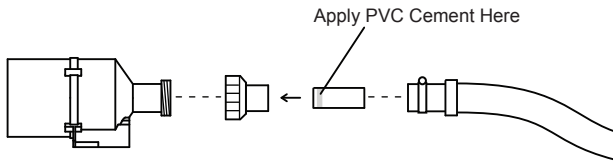
- Remove any excess silicone with a rag.
- Connect the air tube to the switch and to the blower.



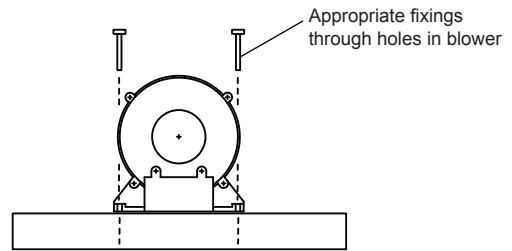
F. Install the Blower (For Detached Blower Versions Only)

The detached blower can be installed up to 1.5m from the bath if desired.

- Connect the flexible coupling to the blower using PVC cement



- Once connected find a suitable installation position for the blower.
- Secure the blower firmly using appropriate fixings so that the blower can not vibrate free when in use



G. Install the Plumbing

CAUTION: Risk of property damage. Ensure a watertight seal on the bath drain.

- Connect the drain to the trap according to the manufacturer's instructions.

NOTICE: An access panel will simplify future maintenance.

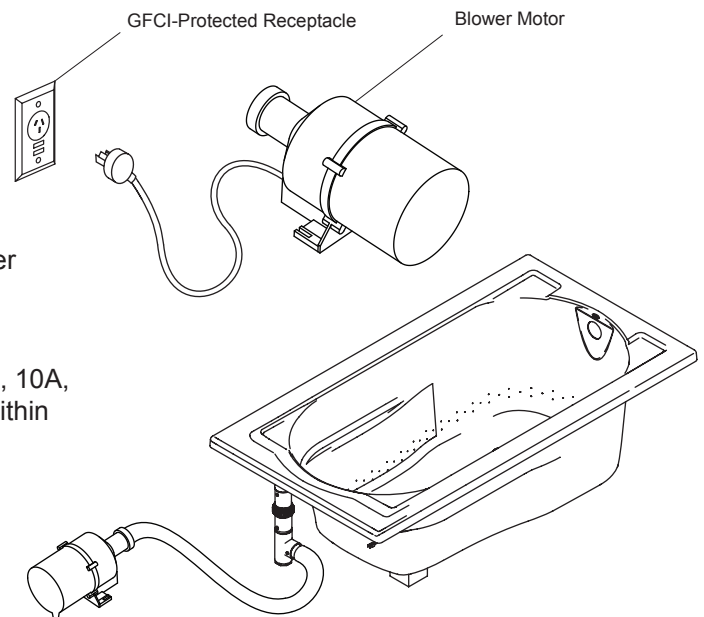
- Install the faucet valving according to the faucet manufacturer's instructions. Do not install the faucet trim until instructed. Open the hot and cold water supplies, and check the supply connections for leakage.
- Run water into the bath, and check the drain connections for leakage.

H. Make Electrical Connections

WARNING: Risk of electric shock. To reduce the risk of electrical shock, connect the blower motor to a properly grounded, grounding-type receptacle protected by Ground-Fault Circuit-Interrupters (GFCIs). Do not remove the plug grounding pins. Do not use grounding adapters.

NOTE: The model number and electrical rating of the blower is printed on the blower.

- The blower is equipped with a cord and plug. A licensed electrician must install a dedicated GFCI-protected, 220V, 10A, grounded outlet. Locate the outlet behind the bath, and within 610mm of the blower motor.
- Plug the blower motor into this outlet.
- Clean the area of all dust and debris.
- Air blower must be located or fixed so that it cannot fall into the bath of spa.

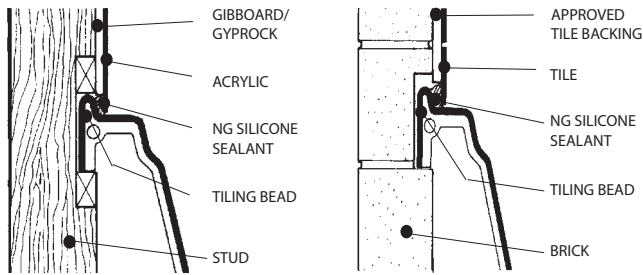


I. Test Run the Bath with Airjets

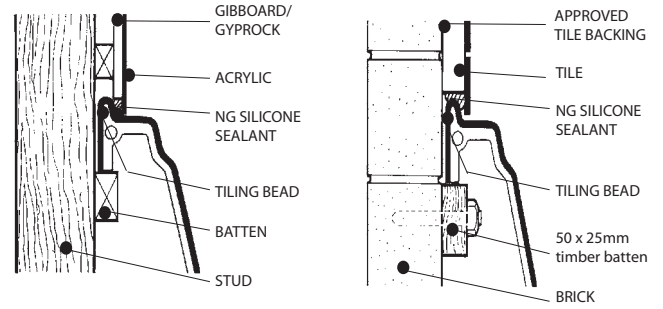
- For information on unit operation, refer to the "Confirm Proper Operation" section.
- Check all electrical connections, and make sure the electrical power to the bath with airjets is on.
- Make sure all piping connections in the air harness are secure.
- Verify that the blower motor is secure.
- Temporarily remove the plastic drop cloth or other protective sheeting from the bath.
- Fill the bath to a level at least 50mm above the top of the highest airjet.
- Check the drain piping for leaks. Repair any leaks.
- Operate the bath and check for airflow through the airjets. Check the air piping for air leaks.
- Return the plastic drop cloth or other protective sheeting to the bath. Check the drain connections for leakage.
- Stop the bath and drain the water.

J. Wall Section Installation Detail

REBATED INTO WALL



PACKED OUT FROM WALL



K. Front & Return Section Installation

Ensure that the bath rim is fully supported.

Build the bath support frame as shown.

When the bath is securely positioned, before the unit is fully built in, install tapware, connect plumbing to faucets and waste fitting.

Run water into the bath and check connections for leaks.

Pour water around the rail support legs and check for any leaks.

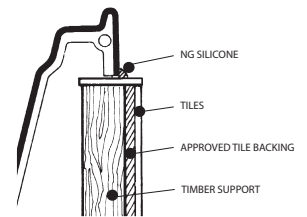
When you are satisfied with the result, please proceed with installation.

Please remember to provide unrestricted access to the pump to assist with future maintenance. Access panels should be wide enough to allow access to the motor, air blower and adjacent plumbing, and should be secured by screws to prevent unauthorised tampering.

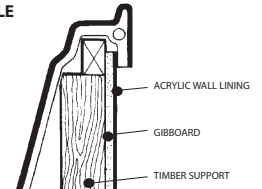
IMPORTANT:

No motor access, no warranty service.

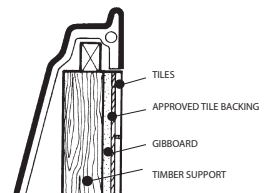
HOB MOUNT



WOODEN CRADLE



FLUSH MOUNT



L. Drop-In Installation:

Floor should be flat, level and free of any bumps and protrusions.

Build stud framing as shown in diagrams, ensuring that the top is level. Whirlpool must be installed level at all top edges.

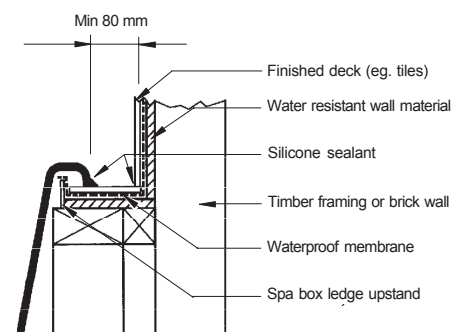
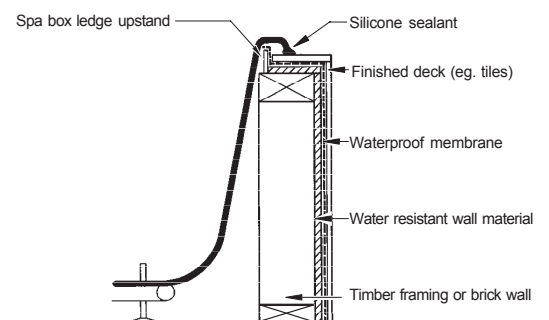
Ensure that the stud framing is not interfering with pump, air blower and whirlpool plumbing.

Whirlpool must be supported both on the rim and on the supporting feet. Do not allow the whirlpool to be supported by the rim alone.

Please remember to provide unrestricted access to the pump to assist with future maintenance. Access panels should be wide enough to allow access to the motor, air blower and adjacent plumbing, and should be secured by screws to prevent unauthorised tampering.

IMPORTANT:

No motor access, no warranty service.



M. Drilling And Cutting Acrylic

DRILLING: Small holes can be drilled with a twist drill, but the cutting edge **MUST** be backed off with an oil stone (the sharp edge dulled). Large holes must be drilled with a hole saw. Maximum drill size-12mm. Drill speeds-6mmx1800 RPM-12mmx900 RPM.

NOTE: Always drill from acrylic surface.


CUTTING: If for any reason the acrylic requires cutting, use a fine tooth hacksaw and proceed with caution. Edges can be smoothed with a second-cut file and medium-fine sandpaper. If the surface of the acrylic should happen to be damaged, it can be restored by polishing with an abrasive cleaner. Deep scratches can be removed by rubbing with 600 grade wet & dry sandpaper then polishing.

N. Clean-Up After Installation

- Clean the area around the blower motor of all dust and debris.
- Use warm water and a liquid detergent to clean the surface of the bath with airjets. **Do not use abrasive cleaners**, as they may scratch and dull the surface. **Do not use powdered cleaners unless the cleaner is fully dissolved in water.** Solid substances could block the airjets. **Do not use bleach or ammonia cleaning solutions.** Chemically active cleaning solutions can damage the bath surface. Refer to the homeowners guide for normal cleaning recommendations.

BATH OPERATION

A. Fill the Bath

 **CAUTION: Risk of product damage.** Ensure that the area around the blower motor is free of sawdust, insulation, dirt, or other small loose debris. Such material could clog the blower motor air ducts and reduce the airflow through the blower motor.

NOTE: Please read these steps carefully before you operate your bath with airjets. Troubleshoot any problems using the “Troubleshooting” section.

B. Control Switch Operation

Air switch operation

Push 1 = blower on
Push 2 = blower off

Note that the heater will automatically turn on to heat the air whenever the blower is operating.

C. Preliminary Checks

- Temporarily remove all access panels.
- Verify that the union connection at the check valve is securely hand tightened.
- Verify that the blower motor is securely installed.
- Verify that the switch tube is securely connected at the air switch and at the blower motor.
- Fill the bath to a level at least 50mm above the top of the highest airjet.

D. Confirm Air System Operation

- Press the air switch once.
- Observe that the blower motor starts
- Observe that air is blowing through all of the airjets.
- Press the air switch again to stop the blower motor.

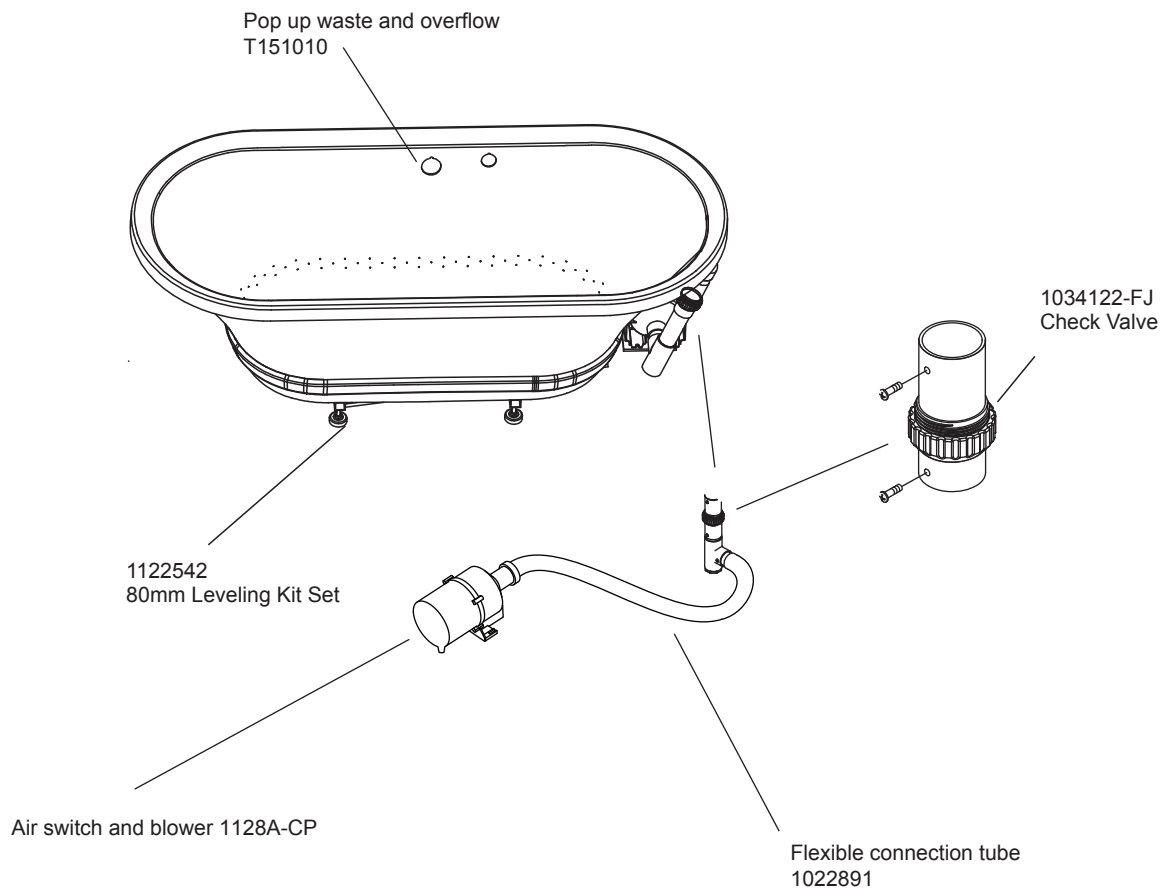
E. Regular Care and Maintenance

It is recommended that after bathing the bath is drained and then the blower is operated to remove any residual water that may still exist in the air channels.

This will help to insure your bubble massage bath remains clean and free of grime.

TROUBLESHOOTING CHART		
SYMPTOMS	PROBABLE CAUSES	CORRECTIVE ACTION
1. Bath with airjets does not start.	A. No power to blower motor.	A. Set/reset GFCI or ELCB breaker; check wiring.
	B. Air switch tube may have water in it.	B. Remove air switch tube and drain,
	C. Air switch is faulty or disconnected.	C. Check air tube connections.
	D. Blower motor does not work.	D. Replace blower motor.
2. Blower motor starts, but there are few or no bubbles.	A. Blower motor is disconnected.	A. Connect blower motor to air harness.
	B. Blower motor airflow is restricted.	B. Clean the area around the blower motor. Ensure adequate ventilation.
3. Bath stops automatically	A. GFCI or ELCB trips.	A. Identify source of fault and correct.
	B. Motor overheated and protection device activated.	B. Check for blockage at motor vents. Remove blockage and allow motor to cool.

SERVICABLE PARTS



CONTACT AND WARRANTY INFORMATION

For warranty information, please visit our website

Australia
www.au.kohler.com

New Zealand
www.kohler.co.nz

KOHLER

CALL US FOR HELP

NEW ZEALAND
KOHLER NZ LTD

Free Ph: 0800 564 537 (0800 KOHLER)
Free Fax: 0800 664 488
www.kohler.co.nz

AUSTRALIA
KOHLER CO.

Free Ph: 1 300 362 284
Free Fax: 1 300 652 284
www.au.kohler.com

