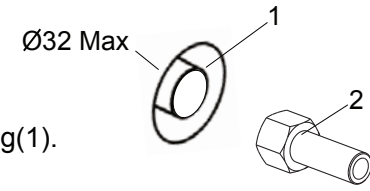


INSTALLATION - Outlet Bush

1.) This spout is designed to be fitted to a G1/2" male supply fitting(1) located in a hole no bigger than 32mm and below the finished wall.



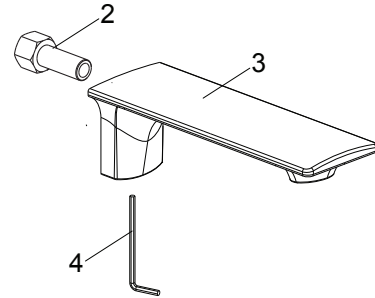
2.) Apply tape or thread sealant to G1/2" threads of the male supply fitting(1).

3.) Install the outlet adaptor(2) onto the supply fitting. Secure it with a wrench and make it extend 23-34mm beyond the finished wall (Refer to rough-in drawing).

INSTALLATION - Spout

1.) Apply a ring of plumbers putty or other sealant to the spout base(3).

2.) Install the spout kit onto the outlet adaptor(2). Make sure the setscrew hole faces downwards. Carefully tighten the setscrew using the hex wrench(4) provided.



NOTE: Do not overtighten the setscrew

3.) Remove any excess putty.

INSTALLATION CHECKOUT

1.) Ensure that all connections are tightened.

2.) Open the drain. Run hot and cold water through spout about one minute to remove any debris.

3.) Check for leaks at this time. Repair as required.

CLEANING INSTRUCTIONS

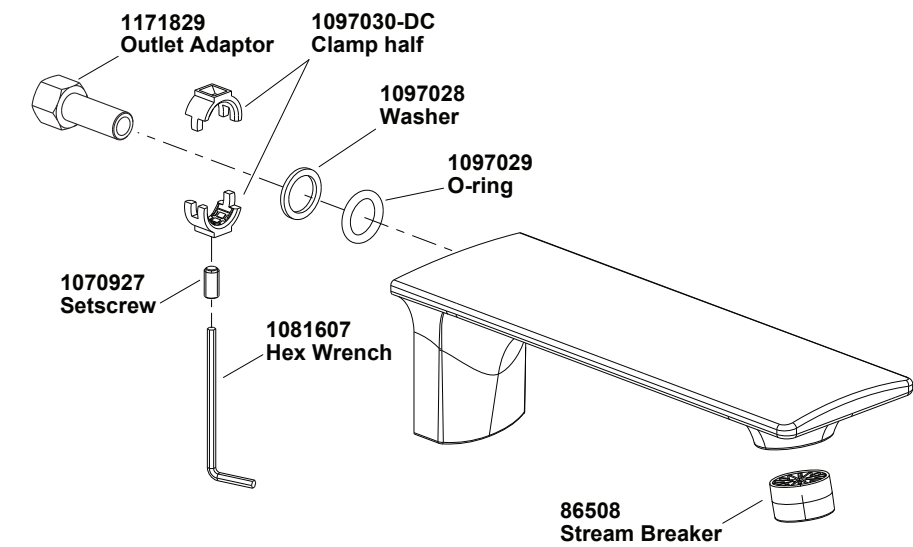
All Finishes: Clean the finish with mild soap and warm water. Wipe entire surface completely dry with a clean soft cloth. Many cleaners may contain such chemicals as ammonia, chlorine, toilet chemicals etc. which could adversely affect the finish and are not recommended for cleaning.

Do not use abrasive cleaners or solvents on Kohler fittings.

KOHLER®
SPARE PARTS

BATH TAPWARE
STANCE
Wall Mount Bath Spout

Wall Mount Bath Spout: 14795A



**Color code must be specified when ordering