

Bath / Shower mixer with diverter: **8965A-9**  
 Bath / Shower mixer without diverter: **8966A-9**

### BEFORE YOU BEGIN

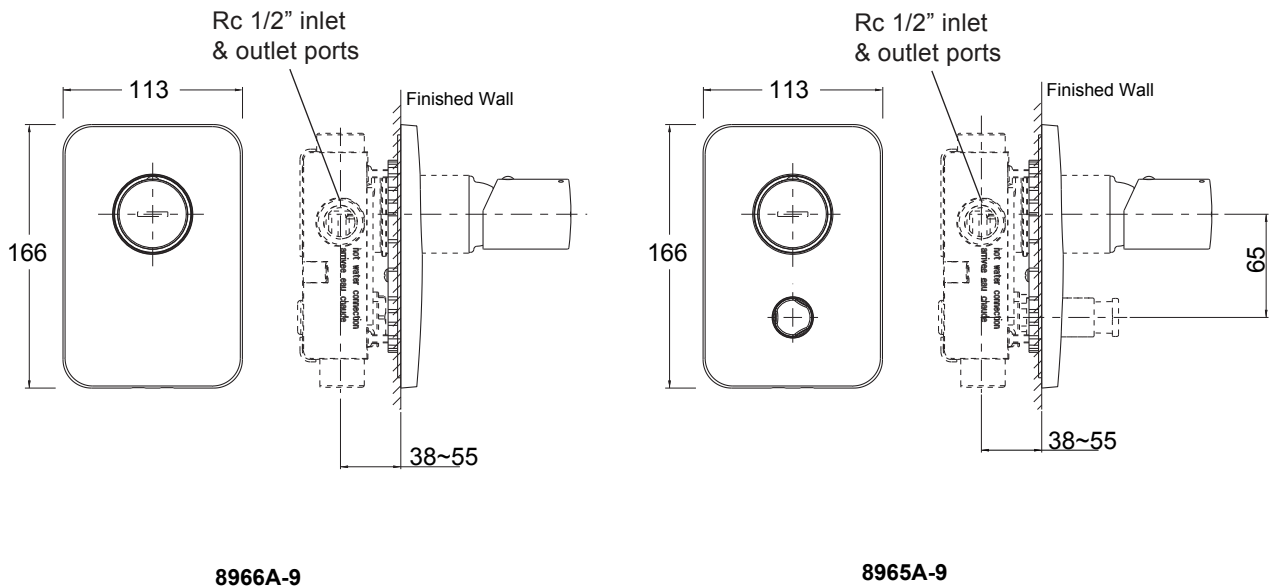
All information is based on the latest product information available at the time of publication. Kohler Co. reserves the right to make changes in product characteristics, packaging, or availability at any time without notice.

Please leave these instructions for the consumer. They contain important information.

#### NOTES:

1. Flush the water supply pipes thoroughly to remove any debris.
2. Do not remove the plaster guard from the valve body until instructed to.
3. Install valve 880A according to the rough-in dimensions of 10317A-4. Install valve 882A according to the rough-in dimensions of 9105A-4. For additional valve installation instructions refer to the 40mm valve install guide (1071635-AN2).
4. All installations should comply with the relevant requirements of AS/NZS 3500.

### ROUGH-IN DIMENSIONS



# INSTALLATION

**Note:** Install valve 880A according to the rough-in dimensions of 10317A-4. Install valve 882A according to the rough-in dimensions of 9105A-4. For additional valve installation instructions refer to the 40mm valve install guide (1071635-AN2)

1.) After the finished wall has been completed, remove the plastic guard(1).

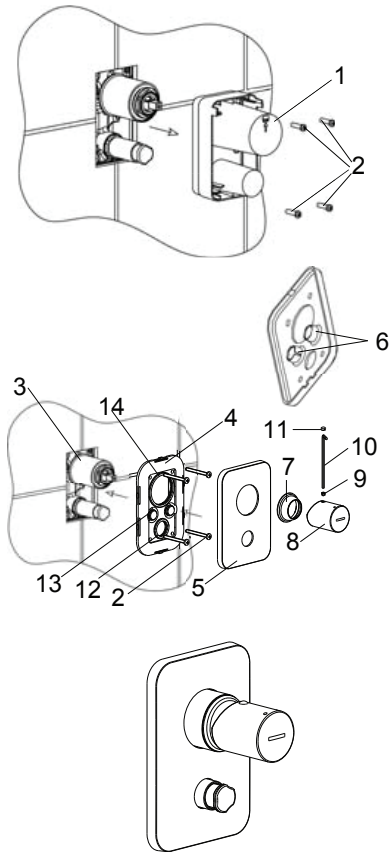
**NOTE:** Retain screws(2).

2.) Slide the cover kit(4) onto the valve(3) with the plugs(13) facing out. **Note:** Make sure not to squeeze out the rings(12,14). Push it firmly against the wall and secure with the screws(2).

3.) Slide the faceplate(5) onto the valve with the slots(6) on the bottom. Align the faceplate with the cover plugs and push it against the wall.

4.) Screw the bonnet(7) onto the valve.

5.) To install the handle(8), slide the handle onto the valve stem. Tighten the setscrew(9) with the hex wrench(10) and assemble the plug button(11) into the hole.

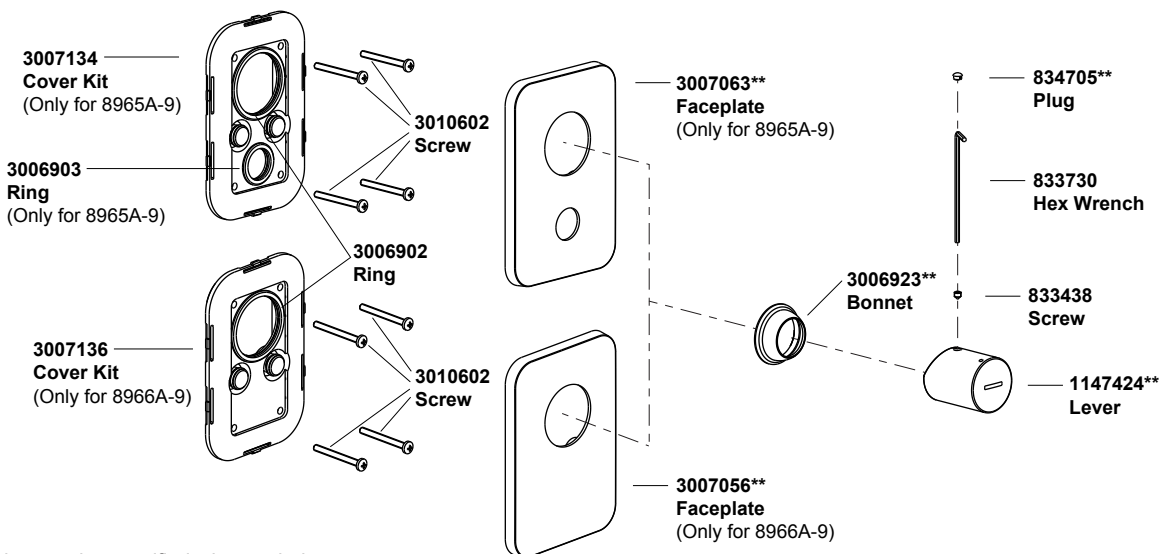


# CLEANING INSTRUCTIONS

All Finishes: Clean the finish with mild soap and warm water. Wipe entire surface completely dry with a clean soft cloth. Many cleaners may contain such chemicals as ammonia, chlorine, toilet chemicals etc. which could adversely affect the finish and are not recommended for cleaning.

Do not use abrasive cleaners or solvents on Kohler fittings.

# SPARE PARTS



\*\*Color code must be specified when ordering.