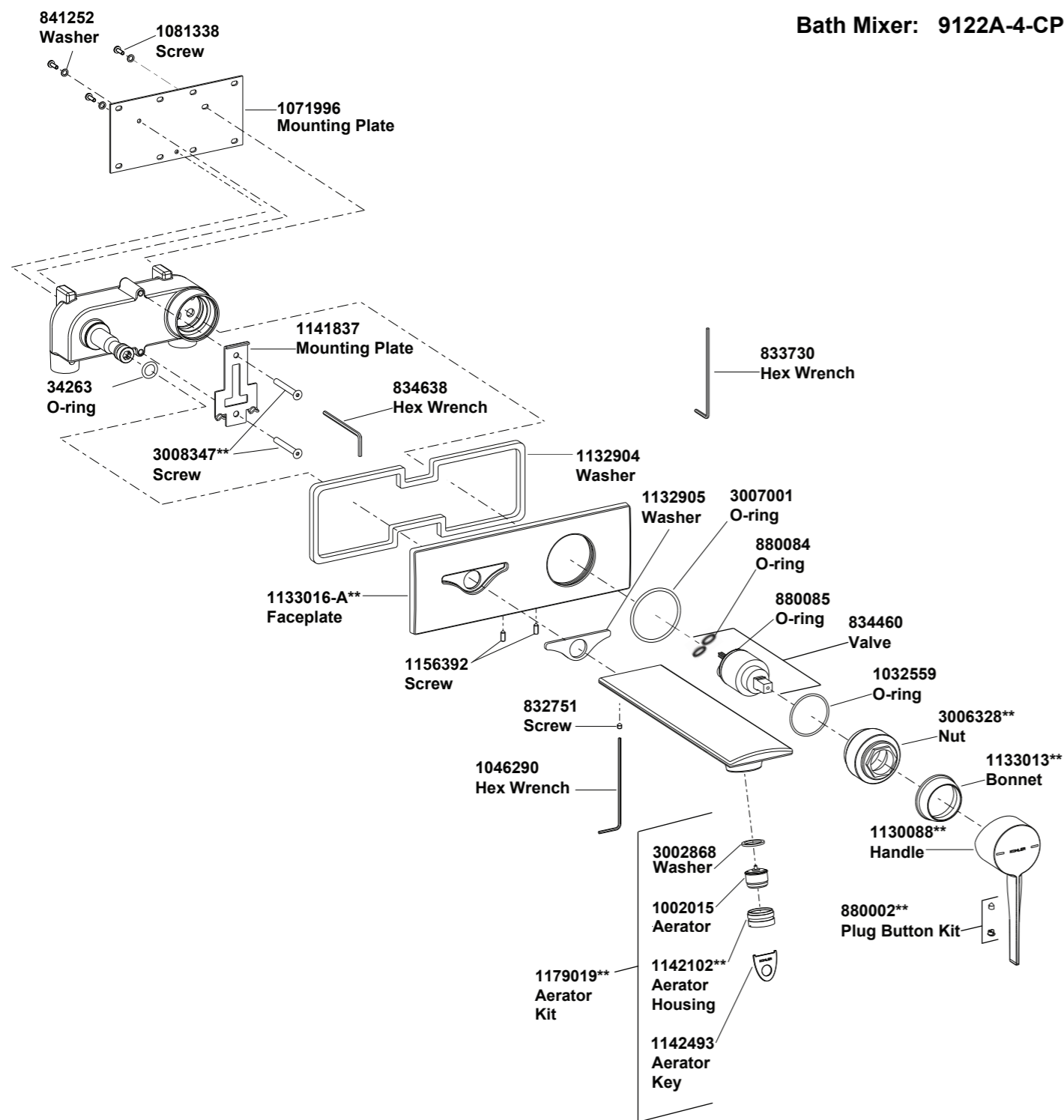


Bath Mixer: 9122A-4-CP



**Color code must be specified when ordering

Bath Mixer: 9122A-4-CP

BEFORE YOU BEGIN

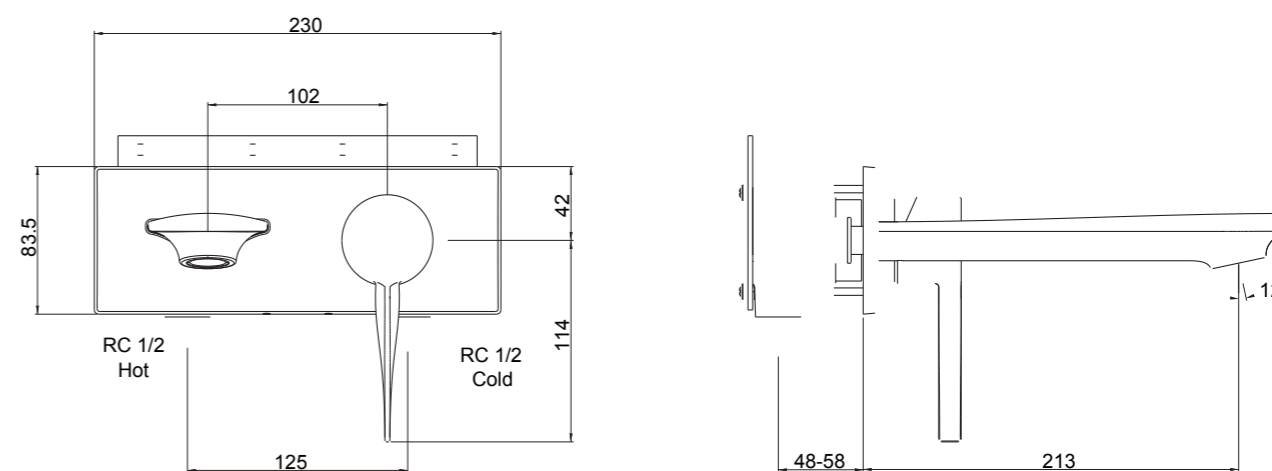
All information is based on the latest product information available at the time of publication. Kohler Co. reserves the right to make changes in product characteristics, packaging, or availability at any time without notice.

Please leave these instructions for the consumer. They contain important information.

NOTES:

1. Flush the water supply pipes thoroughly to remove any debris.
2. An in line water filter must be used with this product.
3. Inspect the supply pipes for damage. Replace as necessary.
4. Observe local plumbing codes.
5. Check for leaks before covering the pipes. Repair as needed.
6. Recommended working pressure: 100KPa to 500KPa.
7. Maximum working pressure: 800KPa.
8. All installations should comply with the relevant requirements of AS/NZS 3500.
9. Inlet threads of the body are Rc 1/2.

ROUGH-IN DIMENSIONS



INSTALLATION - Valve Body

Note: During installation the protectors are to remain on the valve body.

- 1.) Construct a suitable wall frame for the mounting plate(1). Make sure that the frame is level and allows for the correct valve rough-in per the rough-in section on page 1.
- 2.) Fix the mounting plate to the valve body(2) with the washers(3) and the three fixing screws(4). Be sure the protectors(5,6) face front and the inlet with the red mark is on the left.
- 3.) The outer surface of the finished wall should be between the MAX & MIN marks on the protectors(6) shown in Fig.1 and Fig.2. The size of the opening in the finished wall is as shown in Fig.2.
- 4.) Fix the mounting plate and valve body to the wall frame.

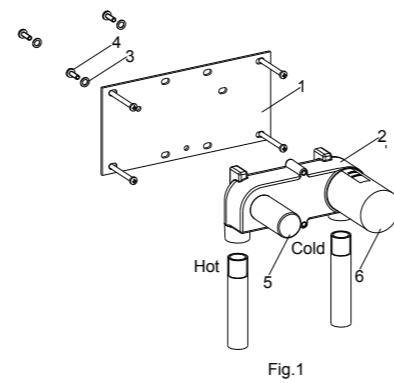


Fig.1

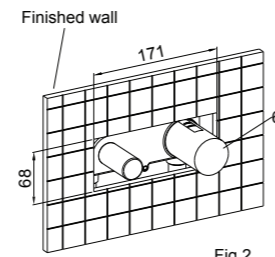


Fig.2

Note: Ensure the centreline of the valve is perpendicular to the wall. Make sure that the valve body is securely fastened to the wall frame.

- 5.) Connect Rc1/2" hot and cold supplies to the valve inlets shown in Fig.1. Connect the hot supply to the left inlet with the red mark.

INSTALLATION - Handle and Spout

- 1.) Remove the protectors after the wall is finished.
 - 2.) Tighten the screws(7) with 3mm hex wrench(8) to secure the mounting plate(9) until it is against the wall.
 - 3.) Loosen screws(10) on the faceplate kit(11) with 2mm hex wrench(12).
 - 4.) Slide the faceplate kit onto the connector(13) and bonnet(14) until it is against the wall. Tighten screws(10) to secure the faceplate kit.
- Note:** Be careful not to damage the o-ring(15) on the connector(13).
- 5.) Slide the washer(16) into the groove on the faceplate kit. Loosen the screw(17) on the spout(18) with 2mm hex wrench(12).
 - 6.) Slide the spout onto the connector with its outlet downwards. Tighten the screw(17) to secure the spout.
 - 8.) Close the valve and loosen the screw(19) on the handle with 2.5mm hex wrench(20). Install the handle(21) onto the valve body. Tilt it upwards and tighten the screw.
 - 9.) Press the plug button(22) into the hole and close the valve.

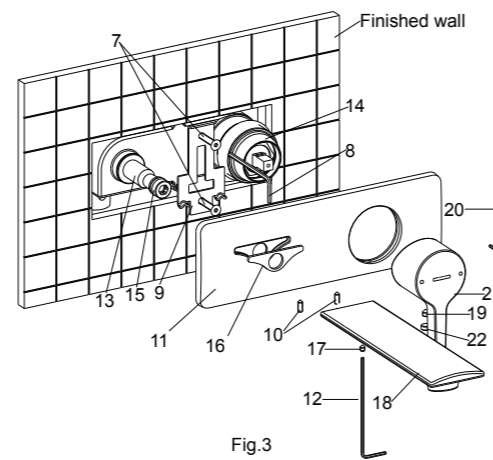
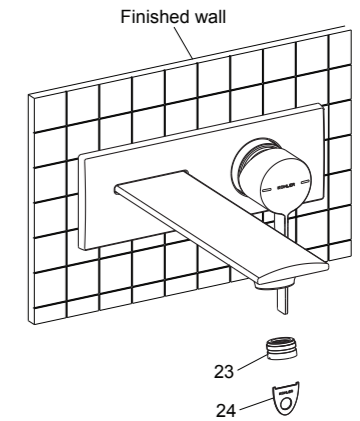


Fig.3

INSTALLATION CHECK

- 1.) Ensure that all coupling nuts are fastened securely.
- 2.) Ensure that the handle is in the off position.
- 3.) Open the drain and turn on the main water supply and check for leaks. Repair as needed.
- 4.) Remove the aerator kit (23) using the key(24).
- 5.) Turn the tap on and flush hot and cold water through the spout for about one minute to remove any debris. Re-check for leaks at this time.
- 6.) Remove any debris from the aerator.
- 7.) Turn the tap off and reinstall the aerator kit.



CLEANING INSTRUCTIONS

All Finishes: Clean the finish with mild soap and warm water. Wipe entire surface completely dry with a clean soft cloth. Many cleaners may contain such chemicals as ammonia, chlorine, toilet chemicals etc. which could adversely affect the finish and are not recommended for cleaning.

Do not use abrasive cleaners or solvents on Kohler fittings.