

Wall Mount Bath Spout: 3962A

### BEFORE YOU BEGIN

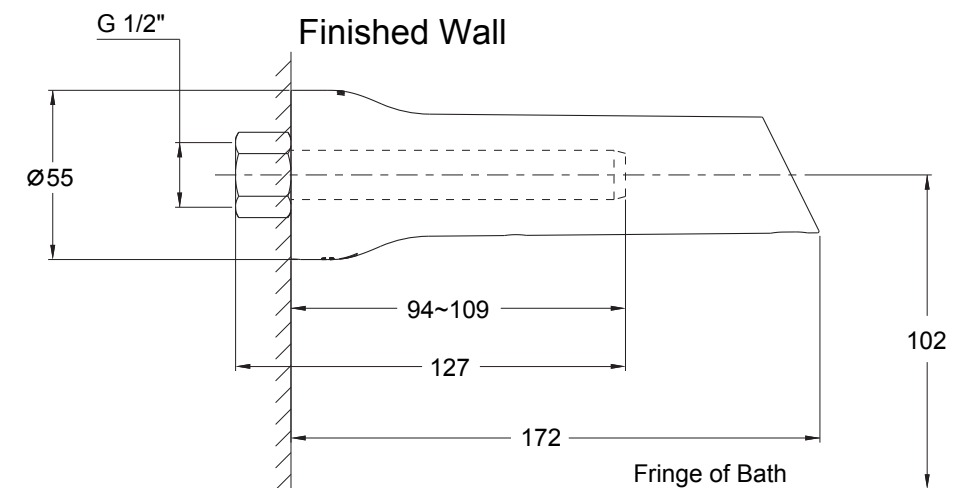
All information is based on the latest product information available at the time of publication. Kohler Co. reserves the right to make changes in product characteristics, packaging, or availability at any time without notice.

Please leave these instructions for the consumer. They contain important information.

#### NOTES:

1. Flush the water supply pipes thoroughly to remove any debris.
2. An in line water filter must be used with this product.
3. Inspect the supply pipes for damage. Replace as necessary.
4. Observe local plumbing codes.
5. Recommended working pressure: 100KPa to 500KPa.
6. Maximum working pressure: 800KPa.
7. All installations should comply with the relevant requirements of AS/NZS 3500.

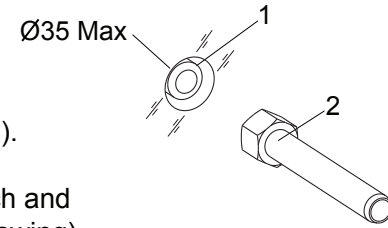
### ROUGH-IN DIMENSIONS



3962A

## INSTALLATION - Outlet Adaptor

1.) This spout is designed to be fitted to a G1/2" male supply fitting(1) located in a hole no bigger than 35mm and below the finished wall.



2.) Apply tape or thread sealant to G1/2" threads of the male supply fitting(1).

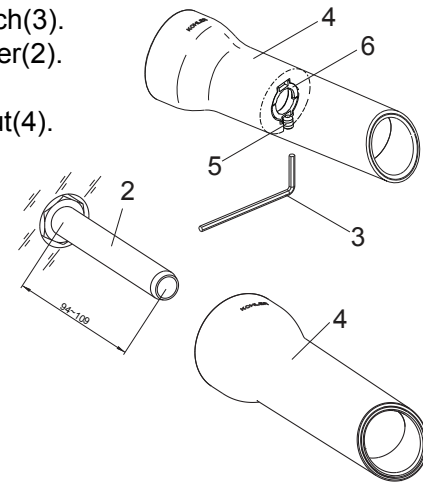
3.) Install the outlet adaptor(2) onto the supply fitting. Secure it with a wrench and make it extend 94-109mm beyond the finished wall (Refer to rough-in drawing).

## INSTALLATION - Spout

1.) Loosen the screw(5) in the bottom of the spout(4) using the hex wrench(3). Loosen until the internal clamp(6) will allow installation onto the adapter(2).

2.) Apply a ring of plumbers putty or other sealant to the base of the spout(4). Note: Do not allow the internal clamp(6) to fall out during this process.

3.) Install the spout onto the outlet adaptor(2). Make sure the setscrew hole faces downwards. Carefully tighten the setscrew using the hex wrench(3) provided.



**NOTE:** Do not overtighten the setscrew.

4.) Remove any excess putty.

## INSTALLATION CHECKOUT

1.) Ensure that all connections are tightened.

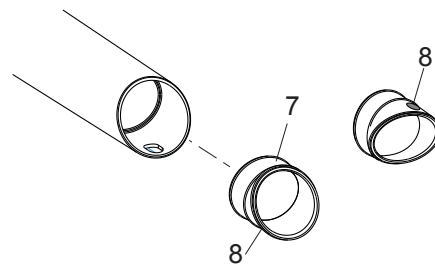
2.) Open the drain. Run hot and cold water through spout about one minute to remove any debris.

3.) Check for leaks at this time. Repair as required.

## OPERATING INSTRUCTIONS

1.) To change the aerator(7) if needed, press the bulge(8) of the aerator on the underside of the spout, and remove the aerator

2.) Install the other colour aerator into the spout.



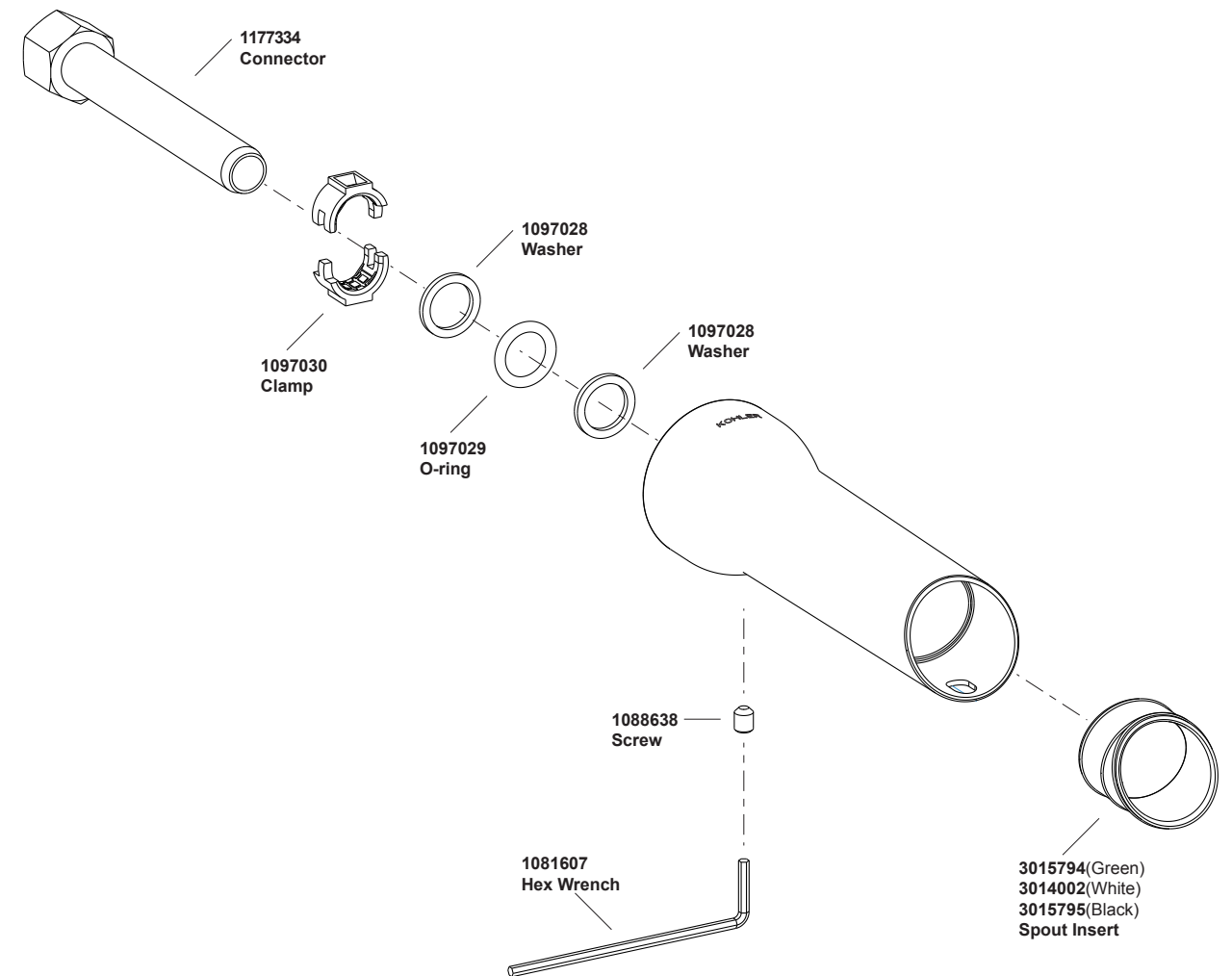
## CLEANING INSTRUCTIONS

All Finishes: Clean the finish with mild soap and warm water. Wipe entire surface completely dry with a clean soft cloth. Many cleaners may contain such chemicals as ammonia, chlorine, toilet chemicals etc. which could adversely affect the finish and are not recommended for cleaning.

**KOHLER®**  
SPARE PARTS

BATH TAPWARE  
**TOOBI**  
Wall Mount Bath Spout

Wall Mount Bath Spout: 3962A



\*\*Color code must be specified when ordering