

Product

- Stillness hob mount basin set

AU Code

049703

NZ Code

586068

Kohler Code

942A-4-CP

**Included Components**

- Concealed breach pieces

Features

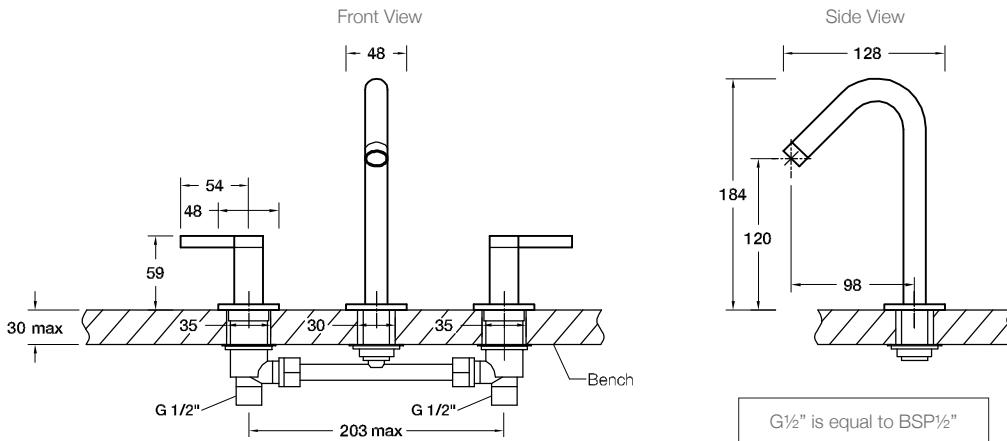
- Polished chrome
- Metal construction
- ¼ turn ceramic disc valves
- Suitable for mains pressure
- KOHLER finishes resist tarnishing and corrosion



WELS RATING
(4 Star 7.2 Litres / min)

Related Products

- Stillness tapware (page 6.0.1)
- Stillness furniture (page 8.0.1)

Technical Details**Installation Notes:**

- G1/2" male inlets.
- Optimum working pressure 300-500 kPa.
- Maximum hydrostatic pressure 800 kPa (This pressure may be exceeded only under test conditions).
- Maximum temperature 80°C.
- Maximum bench thickness is 30mm.
- Where normal working pressure exceeds the maximum, pressure limiting valves should be installed.
- Inline filters should be used to protect your tapware from debris that may be present within the plumbing.