

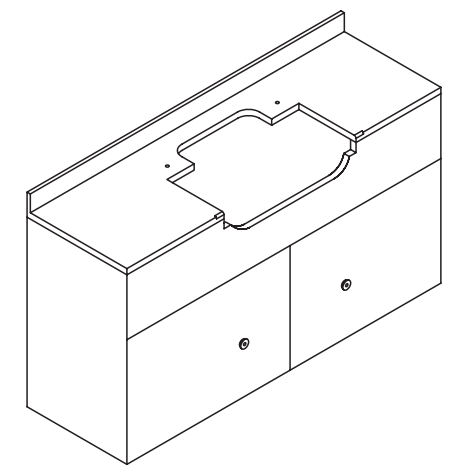
KOHLER

K-11479T-VC1/VC4/VC8
拂朗 FOREFRONT

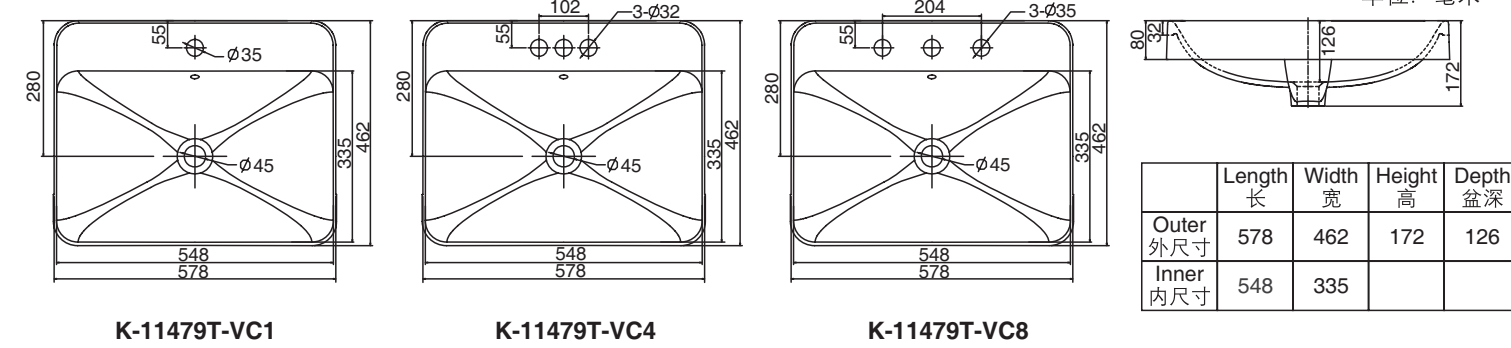
长方形半嵌入式脸盆
RECTANGULAR SEMI-RECESSED LAVATORY
 切割图/安装说明书
CUT-OUT TEMPLATE / INSTALLATION INSTRUCTIONS

Outline of the product
 (only for reference, please confirm
 with the real product).
 产品外形轮廓
 (仅供参考, 以实物为准)

Cut along this line
 沿此线切割台面



尺寸图



安装之前

- 留意当地所有给排水及建筑规定。
- 检查污水管及供水管, 如有需要请更换。
- 安装之前, 先开启新脸盆的包装, 并小心检查脸盆是否有损坏, 再将脸盆放回包装盒内, 到安装时才取用。
- 若为更换新脸盆, 须确保现有的柜台孔口与新脸盆的切割位相同或较小。
- 请使用同时印在此说明书上的切割图, 标划正确之切割位。
- 科勒洗脸盆是根据美国标准制造的, 与其它洗脸盆配件可能与之不相配。

BEFORE YOU BEGIN

- Observe all local plumbing and building codes.
- Inspect the waste and supply tubing; replace if necessary.
- Prior to installation, unpack the new lavatory and carefully inspect it for damage. Return the lavatory to its protective carton until you are ready to install it.
- For replacement installations, make sure the existing cutout is the same or smaller size as the new lavatory.
- Use the template supplied with the lavatory to mark correct size cutout.
- Kohler lavatory is made according to American National Standard that it can match the American lavatory fittings. Any other lavatory fittings may not fit for Kohler lavatory.

所需工具及物料
(不随货供应)

- 模板(已提供)
- 护眼镜
- 铅笔
- 剪刀
- 卷尺
- 涂油灰刀
- 水管用油灰
- 钢锯
- 匙孔线锯或手提电锯
- 钻头(直径为14mm钻头)
- 活动扳钳
- 喉管扳钳
- 切管刀

TOOLS AND MATERIALS
(Not Supplied)

- Template(supplied)
- Safety glasses
- Pencil
- Scissors
- Tape measure
- Putty knife
- Plumbers putty
- Hacksaw
- Keyhole saw or saber saw
- Drill (14mm drill bit)
- Adjustable wrench
- Pipe wrench
- Tubing cutter

安装新脸盆

- 将切割图沿切割线切出。
- 将切割图放在盥洗台上, 确保脸盆、水龙头和防溅挡板之间有足够距离。按照标明的线折叠前端。
- 检查盥洗台下的储物柜也有足够空间。
- 用炭笔沿切割图在盥洗台面上划线, 请勿越过折叠线, 并划出2个螺栓安装孔的中心位置。
- 再次检查脸盆、水龙头、防溅水板及储物柜的空间及距离, 如有需要可调整切割图的位置。
- 用钻头在台面螺栓孔中心处钻2个 $\phi 14$ 的孔。
- 沿着自切割图勾划出来的铅笔线内侧切开台面。
- 按照样板线切割柜子, 注意不要切到前端样板线以下部位(沿线条的内侧切割)。若柜面与台面不齐平, 请相应调整柜面切割线。
- 将U形垫片套入螺栓后, 装入脸盆安装槽内。
- 将脸盆放入台面开口, 确保螺栓穿过台面安装孔, 校正位置。

INSTALL NEW LAVATORY

- Cut the template on the cutout line.
- Position the template on the countertop to ensure clearance between the lavatory, faucet, and backsplash. Please fold the front end according to the marked folding line.
- Verify cabinet clearance beneath the countertop.
- Trace the template on the countertop with a pencil. Please do not surpass the folding line. Mark the center position of 2 bolt mounting holes.
- Re-check the clearance between the lavatory, faucet, backsplash, and cabinet. Adjust the template accordingly.
- Drill two $\phi 14$ holes in the centre of countertop bolt holes.
- Cut the opening in the countertop along the inside edge of the pencil line.
- Please cut the cabinet according to the lines on the template. Be sure to cut along the inner side of the lines and do not surpass the front cutting lines. If the cabinet top is not flush with the countertop, please adjust the cutting lines of the cabinet top accordingly.
- Set the U-washer on the bolt and install into the groove.
- Temporarily position the lavatory in the opening, make sure the bolts are fixed through the countertop mounting holes, and adjust to proper position.

小心: 提防身体受伤或损坏产品。因大型脸盆相当重, 需找人帮您一起搬动及安放。

CAUTION: Risk of personal injury or product damage. Large lavatories are very heavy. Get help lifting the lavatory into place.

- 用炭笔沿脸盆外缘在盥洗台上划线。
- 然后将脸盆移开, 按切割图指示区域, 对台面修整圆角。
- 按照制造商的指引, 安装水龙头和排水管道。
- 沿炭笔导线内涂漆两遍封边胶。
- 用涂油灰刀将其抹匀。

- 小心地将脸盆置于台面切口适当位置, 向下按牢, 从台面下部将脸盆装入, 金属垫片、橡胶垫片、蝶形螺母。

注意: 请确保橡胶垫片的位置如图所示。
 只需手工上紧即可, 请勿过紧, 以免损坏陶瓷。

小心: 提防身体受伤或损坏产品。因大型脸盆相当重, 需找人帮您一起搬动及安放。

- 立即擦去多余的密封胶, 如脸盆外缘与台面间有缝隙, 即用胶填满。
- 检查脸盆的位置准确。

- 最少待三十分钟, 让密封胶干透后, 方可继续安装。
- 联接水龙头供水管。
- 联接排水装置。
- 开启水龙头阀门, 检查有无渗漏。

用非腐蚀性清洁剂来清洁。

- Trace a pencil line around the outside edge of the lavatory.
- Remove the lavatory, cut the area shown in the template into a round rim.
- Install the faucet and drain according to the manufacturers instructions.
- Apply two beads of sealant to the inside of the pencil line.
- Spread the sealant evenly with a putty knife.

- Carefully position the lavatory in the cutout, and press down firmly, mount the washer and rubber gasket in sequence beneath the countertop, and tighten the butterfly nut with hands.

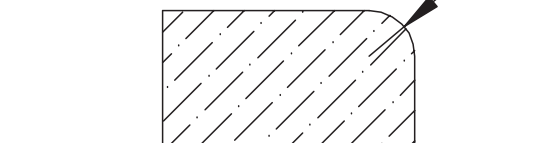
Note: Please make sure the rubber gasket is fixed in the place as shown. Tighten the gasket with hands. Do not over tighten to avoid damaging the ceramic.

CAUTION: Risk of personal injury or product damage. Large lavatories are very heavy. Get help lifting the lavatory into place.

- Immediately wipe away any excess sealant, and fill any voids as needed.
- Verify that the lavatory has not moved out of position.

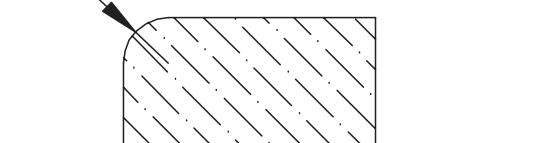
- Allow the sealant to cure for at least 30 minutes before proceeding.
- Connect the faucet supply lines.
- Connect the drain assembly.
- Open the faucet valves, and check for leakage.
- Clean up with a non-abrasive cleaner.

Countertop
台上面



Cut this area into
a round rim
此区域修整圆角

Countertop
台上面



Cut this area into
a round rim
此区域修整圆角

用户须知
(护理和清洁)

为保持脸盆光洁如新, 须确保每次使用后彻底冲洗干净, 切勿使用腐蚀性的清洁剂, 以免刮花及破坏脸盆的表面。要清除顽固污垢、油漆或柏油, 可使用松油或油漆稀释剂。

不要在0°C以下的水环境中使用。

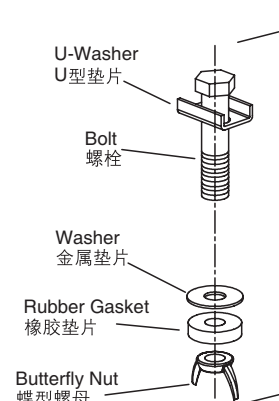
IMPORTANT CONSUMER INFORMATION (CARE AND CLEANING)

To keep your lavatory looking new, make sure you rinse it out thoroughly after each use. **DO NOT USE ABRASIVES** on this product, as they will scratch and ruin the surface. Stubborn stains, paint, or tar can be removed with turpentine or paint thinner.

Do not use the product in the water below 0°C.

维修零件

SERVICE PARTS



* 本脸盆符合中国国家标准 GB6952-2005及美国/加拿大标准 ASME A112.19.2-2008/CSA B45.1-08, 请选择符合上述标准的龙头。

* 推荐使用科勒公司龙头。

* The product conforms to GB6952-2005, ASME A112.19.2-2008 and CSA B45.1-08. Please choose faucets that accord with these standards.

* Kohler faucets are recommended.

Please fold along this line
请沿此线折叠

Outside rim of the countertop
台面外边线

Folding line
折叠线

Cutting line of the cabinet top. Please adjust according to the specific cabinet top.
柜面切割线, 可随柜面型式适当调整

1211039-T01-A

© 版权为科勒中国有限公司所有, 2012
 © Copyright Kohler China Ltd., 2012