



K-98930X-1 拂朗 FOREFRONT

正方形半嵌入式脸盆 SQUARE SEMI-RECESSED LAVATORY 切割图/安装说明书 CUT-OUT TEMPLATE / INSTALLATION INSTRUCTIONS

安装之前

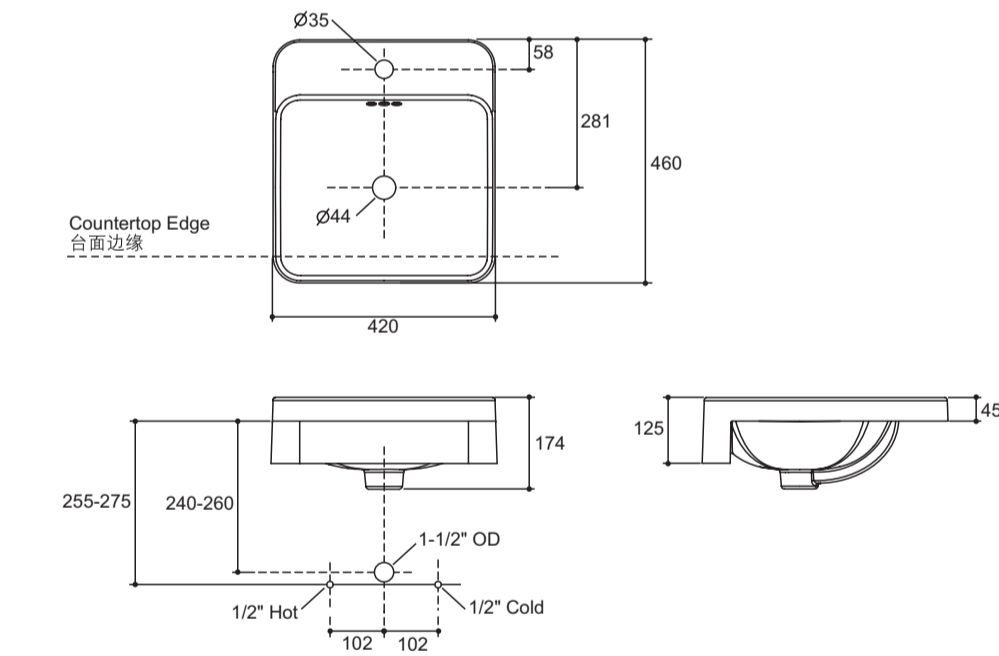
- 留意当地所有给排水及建筑规定。
- 检查污水管及供水管，如有需要请更换。
- 安装之前，先开启新脸盆的包装，并小心检查新的脸盆是否有损坏，再将脸盆放回包装盒内，到安装时才取出。
- 若为更换新脸盆，须确保现有的柜台孔口与新脸盆的切割位相同或较后者小。
- 请使用同时印在此说明书上的切割图，标明正确之切割位。
- 科勒洗脸盆是根据美国标准制造的，与美式洗脸盆配件相配。其它洗脸盆配件可能与之不相配。

所需工具及物料 (不随货供应)

- 模板(已提供)
- 护眼镜
- 炭笔
- 剪刀
- 卷尺
- 涂油灰刀
- 水管用油灰
- 钢锯
- 匙孔线锯或手提电锯
- 钻头直径为13mm钻头或更大
- 活动板钳
- 喉管板钳
- 切管刀

尺寸图

Reference Value
参考值



科勒公司保留随时变更图中标示尺寸的权利，无需另行通知。
Kohler reserves the right to change marked dimensions without prior notice.

BEFORE YOU BEGIN

- Observe all local plumbing and building codes.
- Inspect the waste and supply tubing; replace if necessary.
- Prior to installation, unpack the new lavatory and carefully inspect it for damage. Return the lavatory to its protective carton until you are ready to install it.
- For replacement installations, make sure the existing cutout is the same or smaller size as the new lavatory.
- Use the template supplied with the lavatory to mark correct size cutout.
- Kohler lavatory is made according to American National Standard that it can match the American lavatory fittings. Any other lavatory fittings may not fit for Kohler lavatory.

TOOLS AND MATERIALS (Not Supplied)

- Template(supplied)
- Safety glasses
- Pencil
- Scissors
- Tape measure
- Putty knife
- Plumbers putty
- Hacksaw
- Keyhole saw or saber saw
- Drill (13mm or 1/2" dia. drill bit or larger)
- Adjustable wrench
- Pipe wrench
- Tubing cutter

ROUGHING-IN

Unit: mm
单位: 毫米

拆除旧脸盆

- 关掉水龙头的供水源。
- 打开龙头阀门，然后断开供水管。
- 再旋开排水装置，并拿开弯管。
- 移走旧脸盆。

安装

- 将切割图沿切割线切出。
- 将切割图放在盥洗台上，确保脸盆、龙头和防溅挡板之间有足够距离，确保盥洗台下的储物柜也有足够空间。

- 用铅笔沿切割线在盥洗台面划线。

- 再次检查脸盆、龙头和防溅挡板之间的距离，以及储物柜的空间。如有必要，可调节切割模板的位置。

- 用一个13mm的钻头，在切割口内侧钻一个导孔。
- 沿着自切割图勾画出来的铅笔线内侧切开台面。
- 对于大理石台面，请遵循制造商的台面切割指示。

- 将台面放入开口中，并做相应调整。

- 用铅笔沿脸盆外缘在盥洗台上划线。

- 将脸盆拿开。

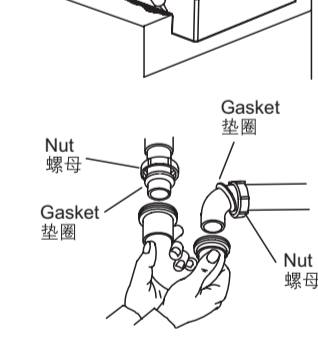
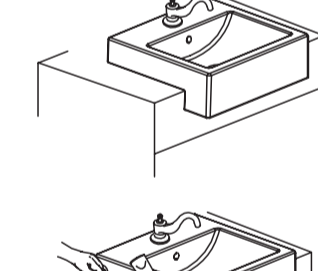
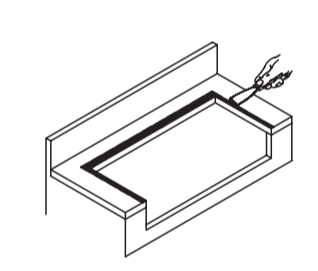
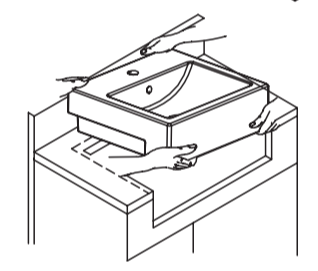
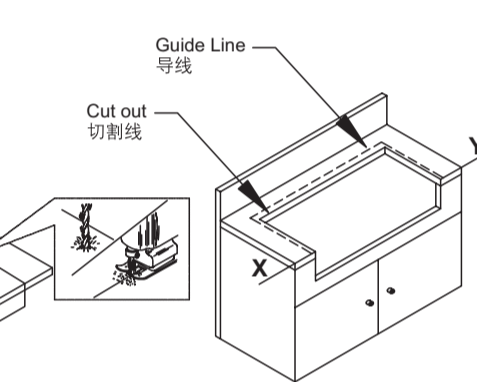
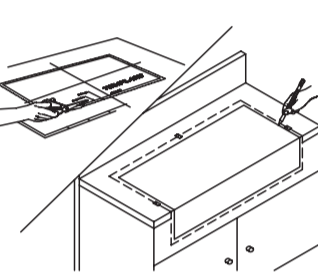
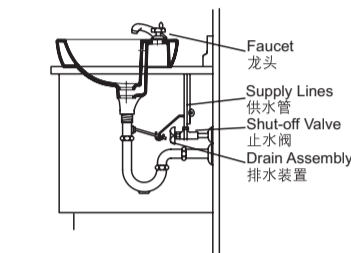
若龙头和落水尚未安装，请于此时安装。请确保遵循包装随附的安装指示。

- 沿铅笔划线的内侧涂抹硅胶。
- 用油灰刀将硅胶抹匀。

- 小心地将脸盆置于台面切口，向下按牢。

- 沿台面切割口涂抹硅胶。用干净的布擦去多余硅胶。至少等待30分钟，让硅胶固化，方可继续进行安装。

- 遵循龙头说明书连接供水管和排水装置。



REMOVE EXISTING LAVATORY

- Turn off the water supply to the faucet.
- Open the faucet valves, then disconnect the supply lines.
- Disconnect the drain assembly and remove the trap.
- Remove the existing lavatory.

INSTALLATION

- Cut the template on the cut-out line.
- Position the template on the counter top to ensure clearance between the lavatory, faucet, and back splash. Verify cabinet clearance beneath the counter top.

- Trace the template on the counter top with a pencil.
- Check the clearance between the lavatory, faucet, back splash, and cabinet. Readjust the template.

- Drill a 13mm hole on the inside of the outline.

- Cut the opening in the counter top along the inside edge of the pencil line.
- For marble counter top, be sure to follow cutting instructions from manufacturer.

- Temporarily position the lavatory in the opening, and adjust to fit.
- Trace a pencil line around the outside edge of the lavatory.
- Remove the lavatory.

If the faucet and drain are not installed, install them this time. Be sure to follow all instructions packed with the product.

- Apply sealant to the inside of the pencil line.
- Spread the sealant evenly with a putty knife.

- Carefully position the lavatory in the cut-out, and press down firmly.

- Apply a bead of sealant around the counter top cut-out hole. Wipe away any excess sealant with a clean cloth. Allow the sealant to cure for at least 30 minutes before proceeding.

- Connect and tighten the trap to the drain, and complete the water supply connections to the faucet according to the instructions packed with the faucet.

用户须知 (护理和清洁)

为保持脸盆光洁如新，须确保每次使用后彻底冲洗干净。切勿使用腐蚀性的清洁剂，以免刮花及破坏脸盆的表面。要清除顽固污垢，油漆或柏油，可使用松油或油漆稀释剂。

不要在0°C以下的水环境中使用。

警告：请勿使用钢丝球等硬质材料擦洗产品表面，特别是产品商标处。

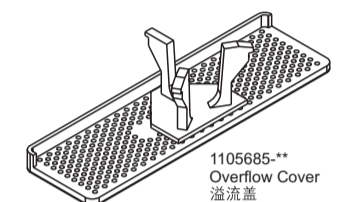
IMPORTANT CONSUMER INFORMATION (CARE AND CLEANING)

To keep your lavatory looking new, make sure you rinse it out thoroughly after each use. **DO NOT USE ABRASIVES** on this product, as they will scratch and ruin the surface. Stubborn stains, paint, or tar can be removed with turpentine or paint thinner. Do not use the product in the water below 0°C.

CAUTION: Please do not use hard materials (like scouring pad) to clean product surface, especially the product logo.

维修零件

SERVICE PARTS



订购时请说明表面处理(**)
Finish (***) must be specified when ordering.

378 mm

84 mm

400 mm

1233761-T01-A

© 版权为科勒中国有限公司所有，2014
© Copyright Kohler China Ltd., 2014

沿此线切割
Cut Along This Line

台面外边缘
Countertop Outside Rim

台盆边缘
Rim of Lavatory

折叠线
Folding Line