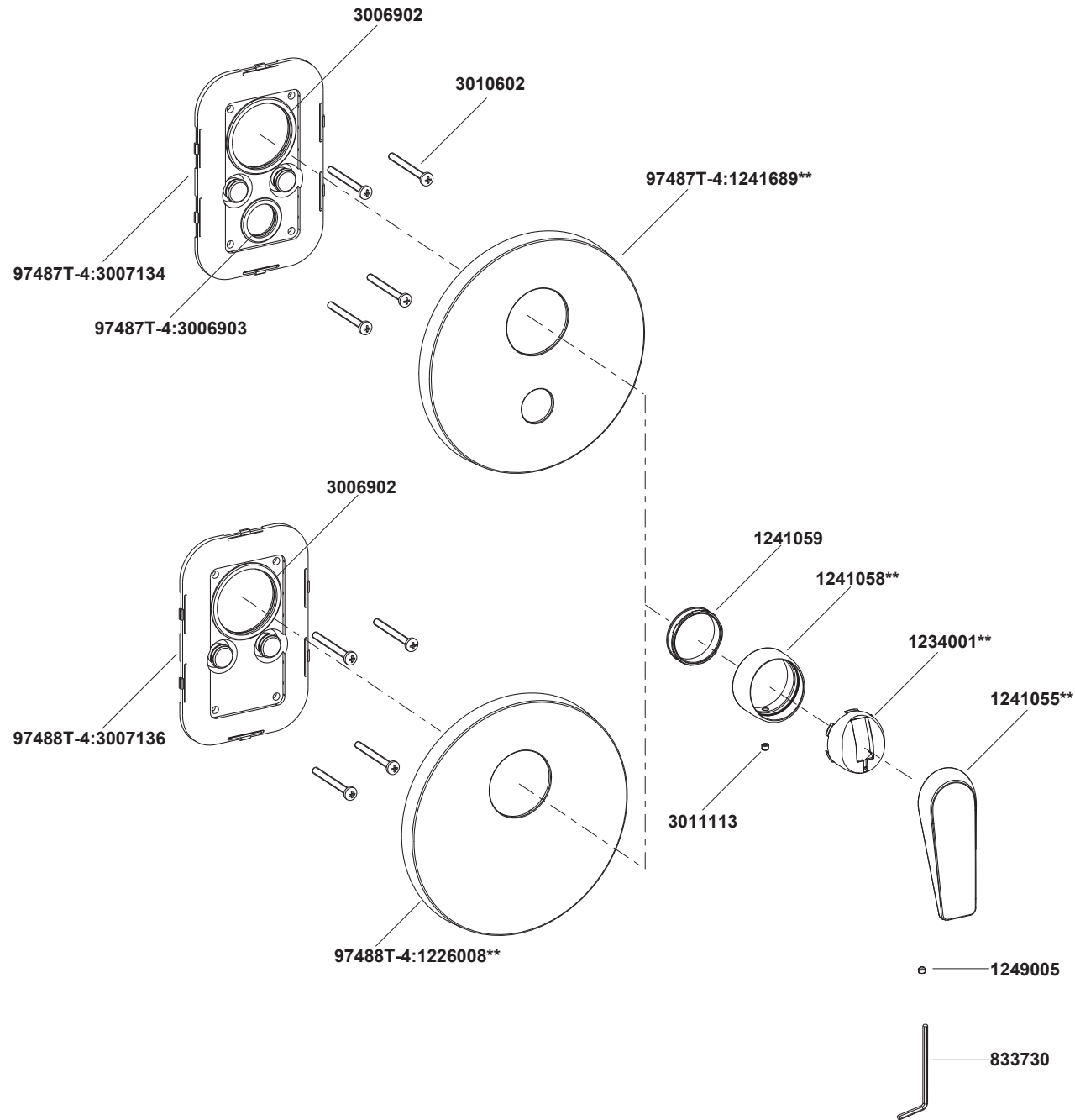


97487T-4 40mm Recessed Bath Shower Trim  
97488T-4 40mm Recessed Shower Trim



\*\*Color code must be specified when ordering.  
**NOTE:** For all Asia pacific regions (excluding China) add SP (SPxxxxxx\*\*) in front of the part number when ordering.

97487T-4 40mm Recessed Bath Shower Trim  
97488T-4 40mm Recessed Shower Trim

**BEFORE YOU BEGIN**

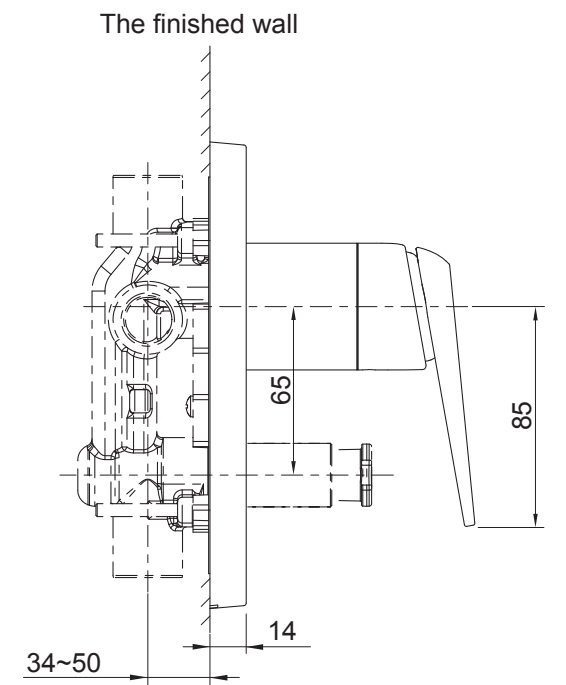
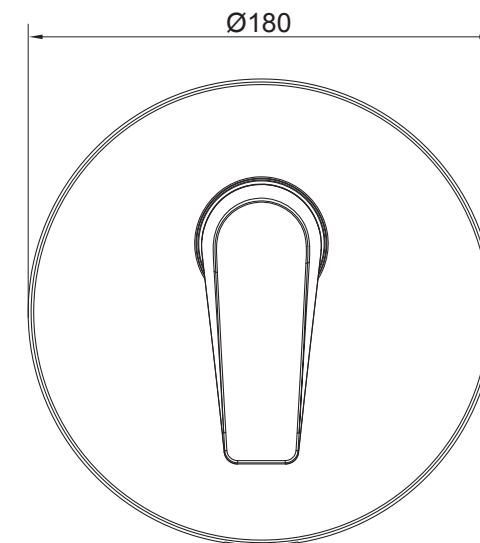
All information is based on the latest product information available at the time of publication. Kohler Co. reserves the right to make changes in product characteristics, packaging, or availability at any time without notice.

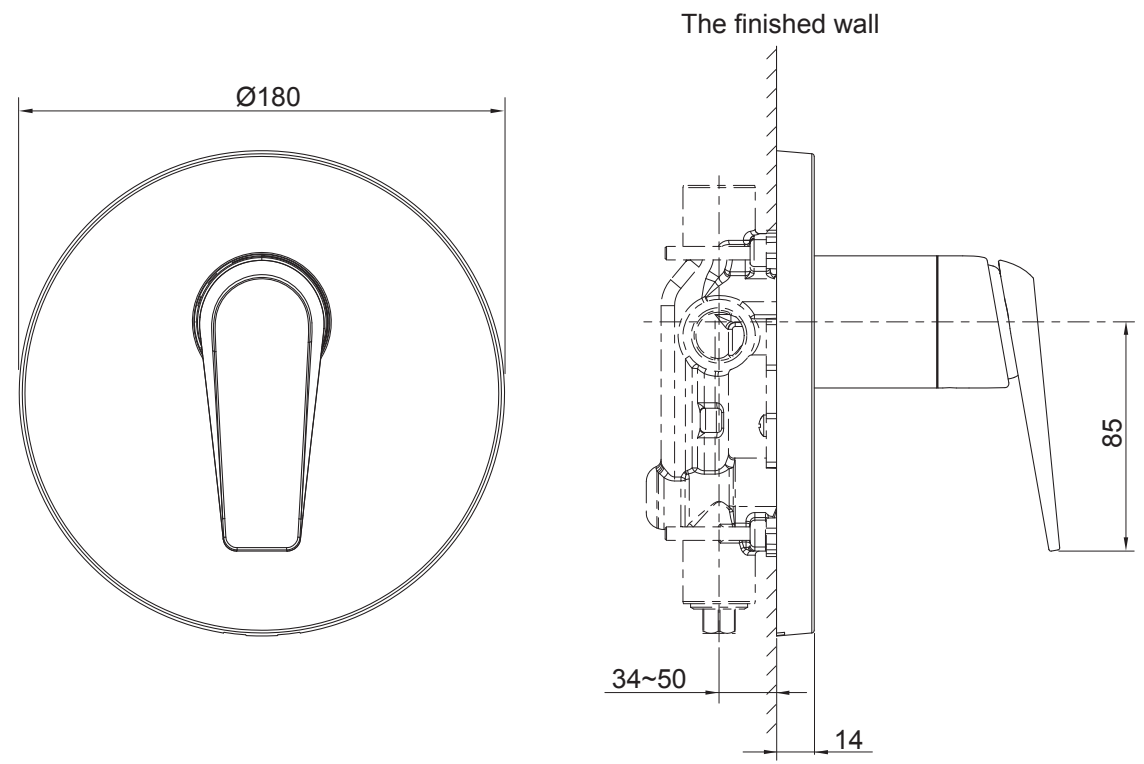
Please leave these instructions for the consumer. They contain important information.

**NOTES:**

1. Flush the water supply pipes thoroughly to remove debris.
2. Do not remove the plastic guard from the valve body until instructed to.
3. Install valve 882\* according to the rough-in dimensions of 97487T-4, install valve 880\* according to the rough-in dimensions of 97488T-4.
4. All installations should comply with the relevant requirements of AS/NZS 3500.

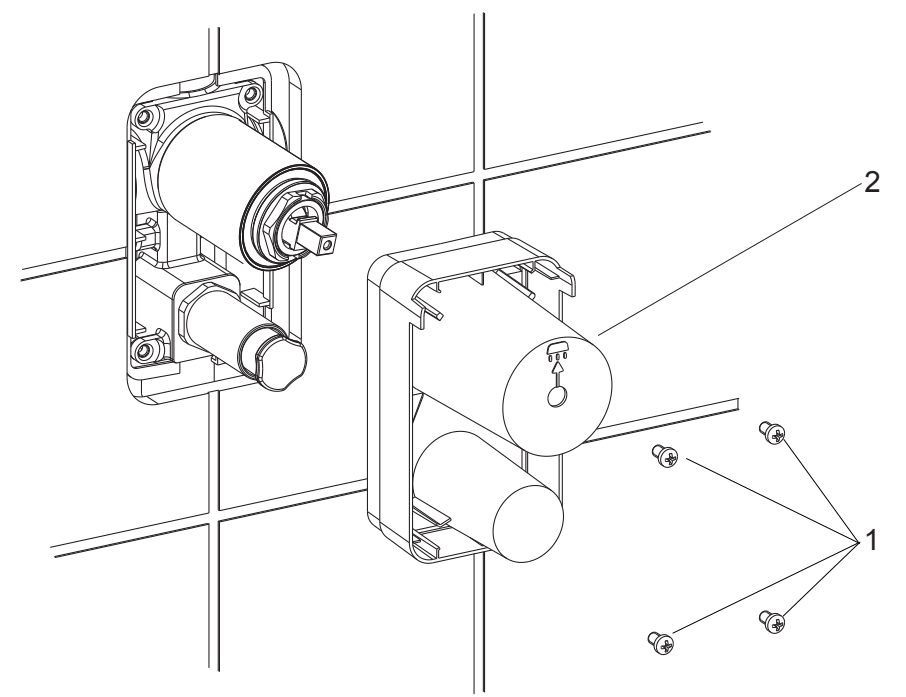
**ROUGH-IN DIMENSIONS**





97488T-4

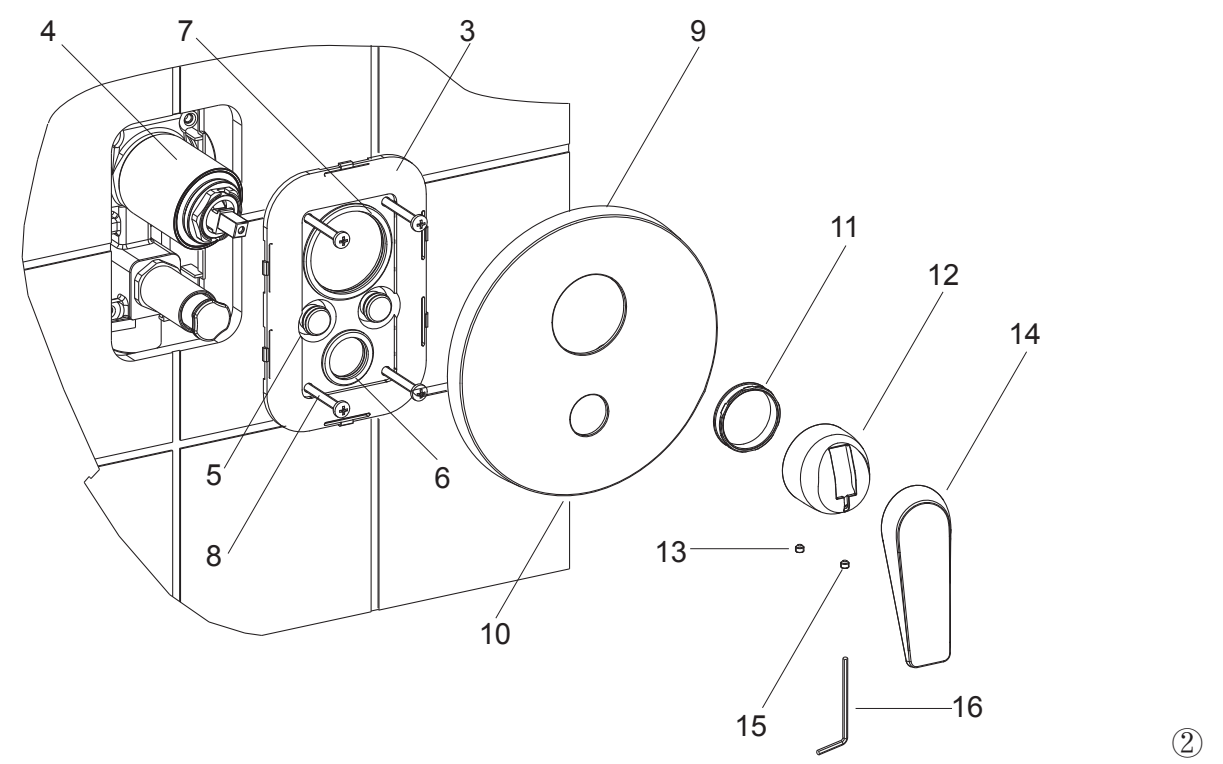
**INSTALLATION**



**NOTE:** Install valve 882\* according to the rough-in dimensions of 97487T-4, Install valve 880\* according to the rough-in dimensions of 97488T-4.

Loosen the screws(1), and remove the plastic guard(2) after completed the finished wall.

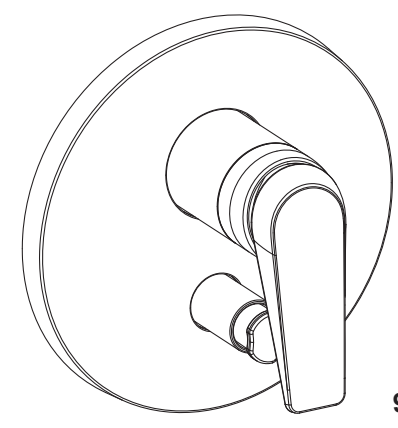
①



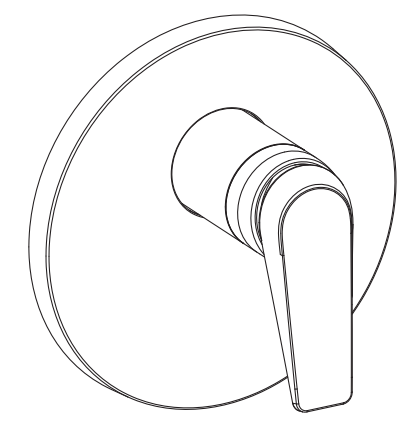
Slide the cover kit(3) onto the valve(4) with the plugs(5) facing outside. **NOTE:** Don't squeeze out the rings(6,7). Push it against the wall.

Secure it with the screw(8). Slide the faceplate(9) onto the valve with slots (10) downwards. Push it against the wall.

Screw the nut(11) on the valve. Put the bonnet kit(12) onto the nut as the figure shown. Tighten the screw(13) by hex wrench(16). Install the handle(14) on the valve stem with the handle vertically downwards. Lift the handle, insert the screw(15) through the top slot of the bonnet to the valve stem by hex wrench. Tighten the screw to secure the handle.



97487T-4



97488T-4

The illustration shown is the correct position of the handle in the closed position.

**CLEANING INSTRUCTIONS**

All Finishes: Clean the finish with mild soap and warm water. Wipe entire surface completely dry with clean soft cloth. Many cleaners may contain chemicals, such as ammonia, chlorine, toilet cleaner etc, which could adversely affect the finish and are not recommended for cleaning.

Do not use abrasive cleaners or solvents on Kohler faucets and fittings.