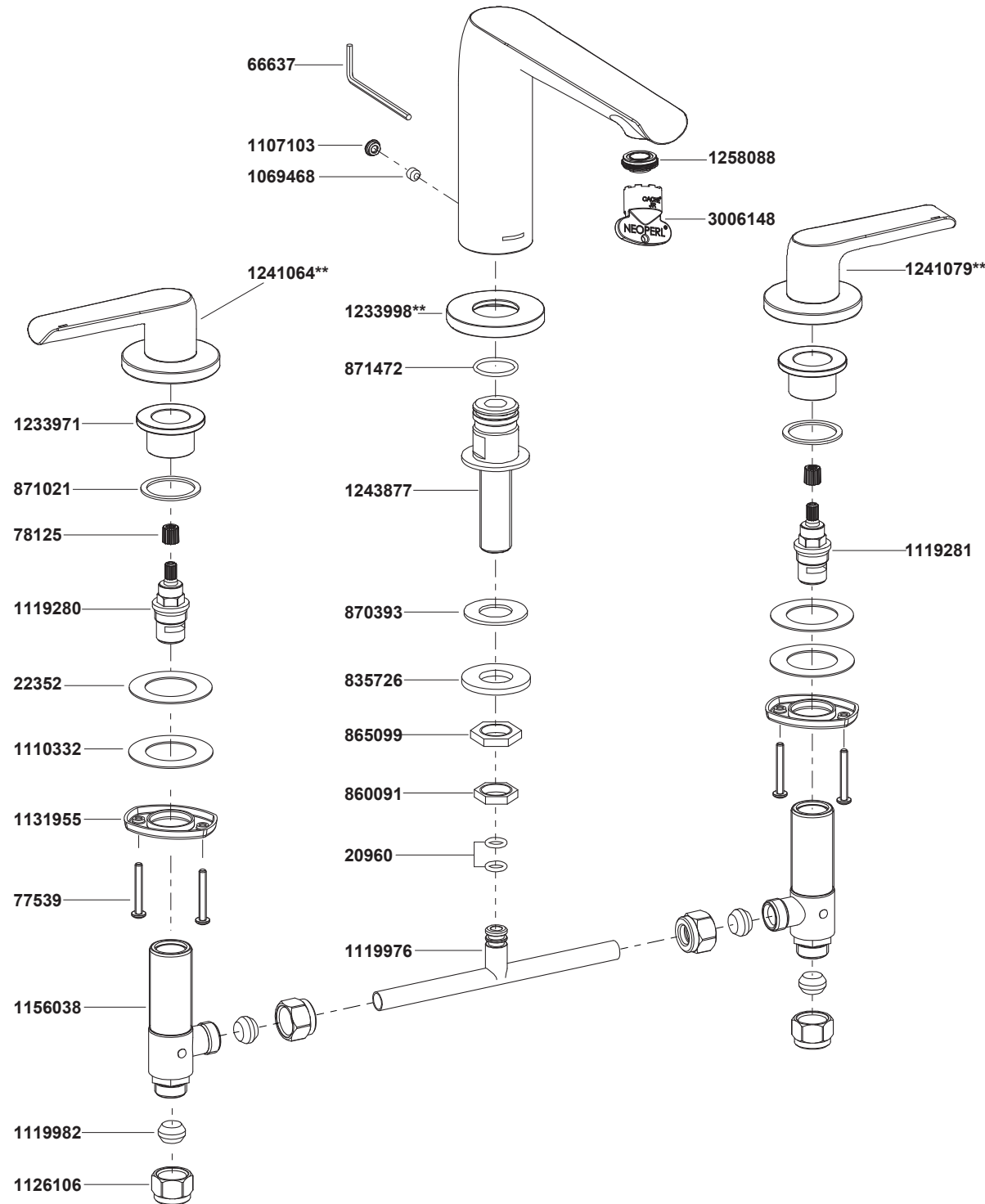


97363T-4E Hob Mount Bath Spout



**Color code must be specified when ordering.

97363T-4E Hob Mount Bath Spout

BEFORE YOU BEGIN

All information is based on the latest product information available at the time of publication. Kohler Co. reserves the right to make changes in product characteristics, packaging, or availability at any time without notice.

Please leave these instructions for the consumer. They contain important information.

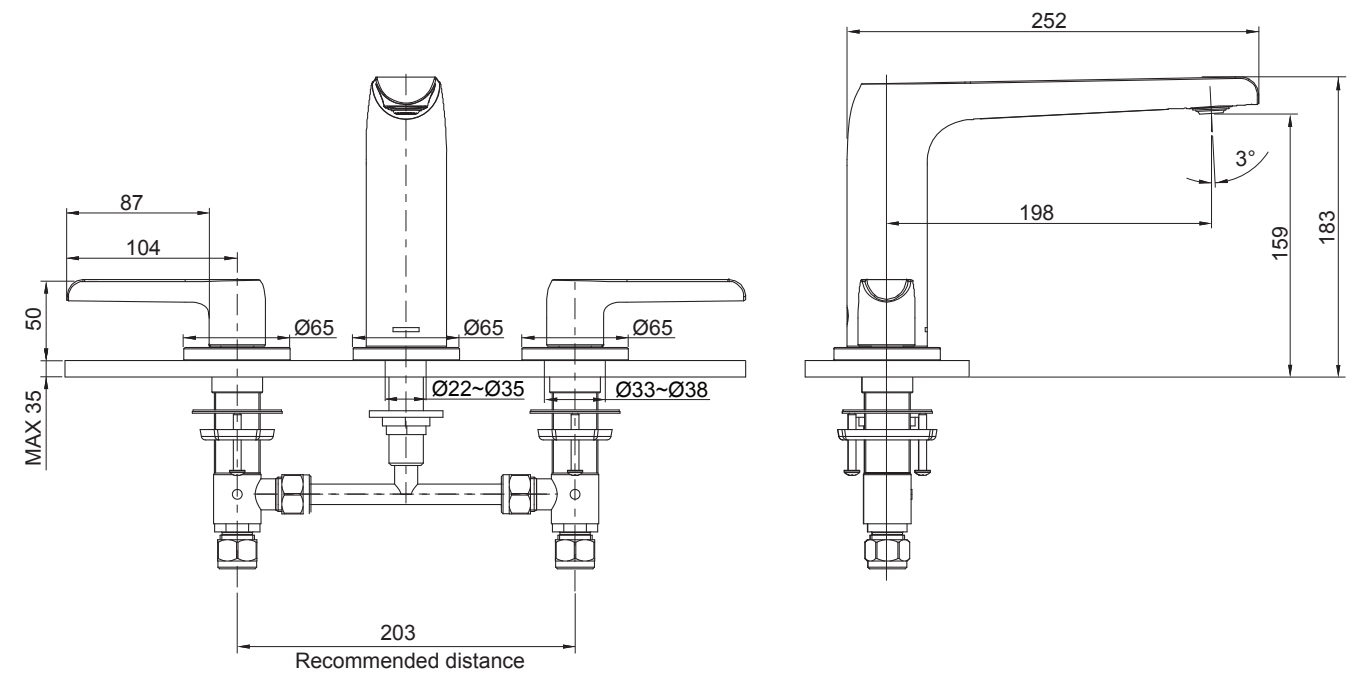
NOTES:

1. Flush the water supply pipes thoroughly to remove debris.
2. An inline water filter must be used with this product.
3. Inspect the supply tubing for damage. Replace as necessary.
4. Observe local plumbing codes.
5. Shut off the water supplies to the fitting. If possible, install this faucet before installing the tub.
6. All installations should comply with the relevant requirements of AS/NZS 3500.

HANDLE OPERATION

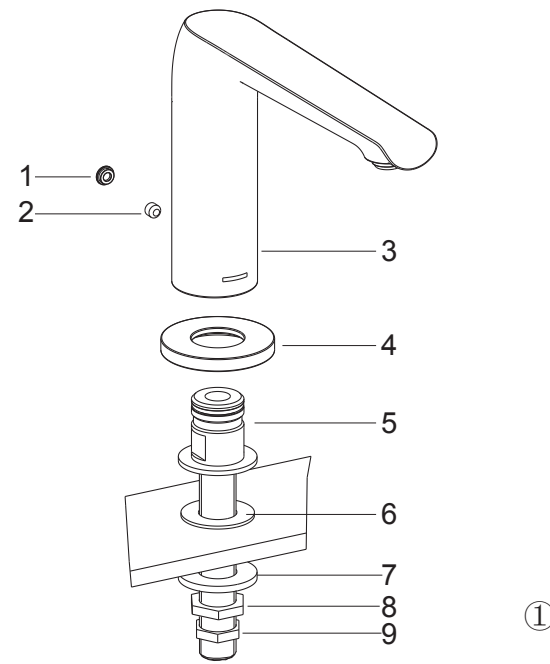
Left handle opens with one-quarter turning counter-clockwise. Right handle opens with one-quarter turning clockwise.

ROUGH-IN DIMENSIONS



97363T-4E

INSTALLATION



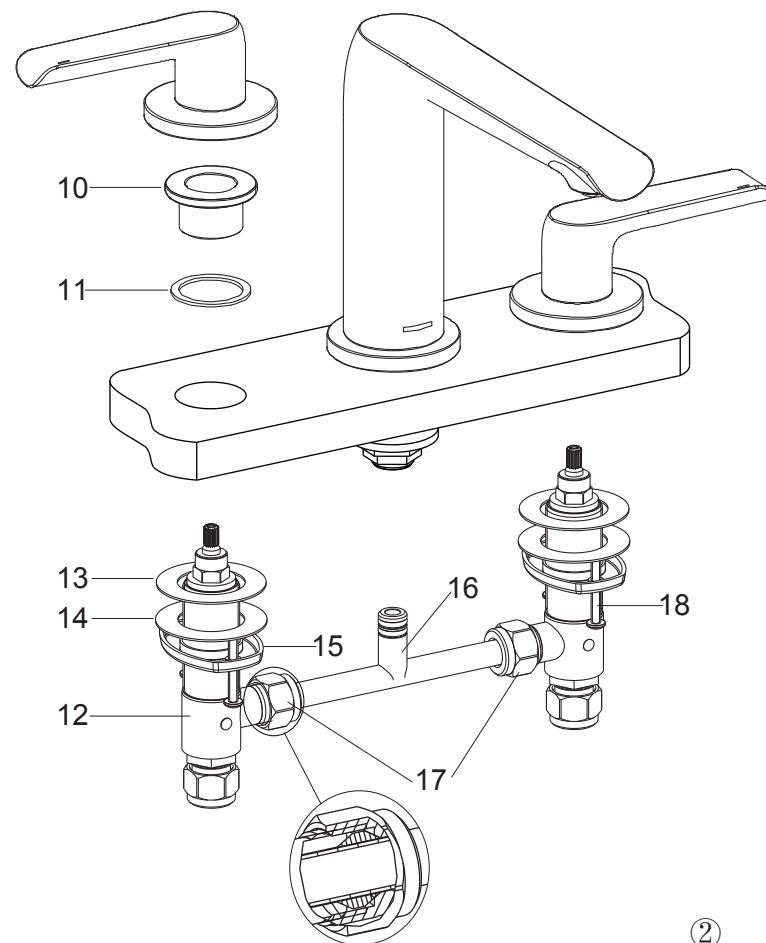
How to Install the Spout

Remove and retain the nuts(8, 9), washer(7) from the shank(5) .

Fit the shank with washer(6) into the center hole of tub. Install the washer(7) and tighten the nut(8, 9) to secure the shank.

Install the escutcheon(4) on the shank, until against the deck or bath tub rim. Install the spout(3) on the escutcheon, position the spout, tighten the screw(2) in the back of spout by hex wrench. Press the plug(1).

①



How to Install the Side Bodies and Handles

Remove the connectors(10) and washers(11) from side bodies(12). Be sure the washers(13), washer(14) and threaded rings(15) on the valve bodies.

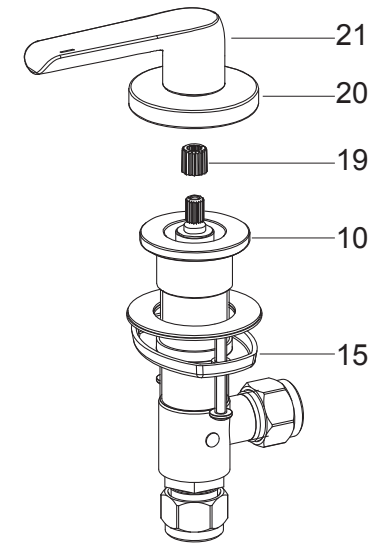
Trim the tee-piece(16) to suit the tub hole centers. Loosen the nuts(17) on the side bodies, and assemble the tee-piece to the side bodies as shown. Tighten the nuts(17) by hand.

From the underside of the tub, install the valve bodies into the mounting holes of tub(**NOTE:** the valve body with red dot should be installed on the left side). Locate the tee-piece onto the spout shank.

If the tee-piece cannot be inserted into the shank, you can loosen the nuts(17) by hand, and adjust the tee-piece position. Then tighten the nuts(17) with a wrench.

Put the washers(11) into the bottom groove of the connectors(10). Tighten the connectors onto the valve bodies. Secure the threaded rings(15) by tightening screw(18) with screwdriver.

②



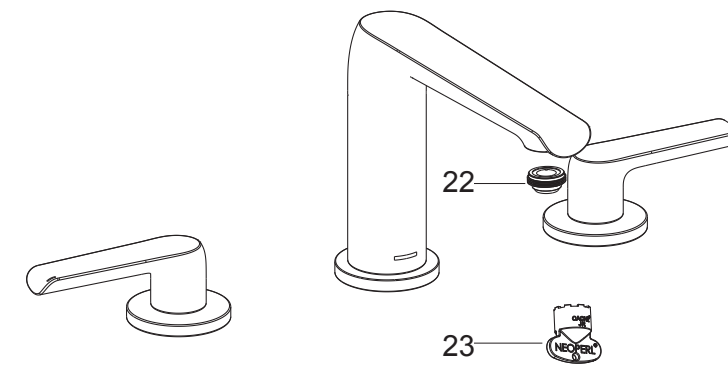
Press the adapters(19) on the valve stems. Ensure the handles and valves are in the off position.

Tighten the escutcheon(20) of the handle kits(21) onto the connectors(10) with the valves closed (**NOTE:** The handle kit with red mark should be installed on the left side).

Attach the water supplies to the valve bodies. Hot water to left valve body, cold water to right valve body.

③

INSTALLATION CHECKOUT



Ensure that all coupling nuts are tight. Ensure that the lever handles are in the off position. Turn on the main water supply and drain, and check for leaks. Repair as needed.

Remove the aerator(22) by key(23). Run hot and cold water through faucet for about one minute to remove any debris. Check for leaks. Repair as needed. Remove any debris from the aerator. Shut off the faucet. Reinstall the aerator.

CLEANING INSTRUCTIONS

All Finishes: Clean the finish with mild soap and warm water. Wipe entire surface completely dry with clean soft cloth. Many cleaners may contain chemicals, such as ammonia, chlorine, toilet cleaner etc, which could adversely affect the finish and are not recommended for cleaning.

Do not use abrasive cleaners or solvents on Kohler faucets and fittings.