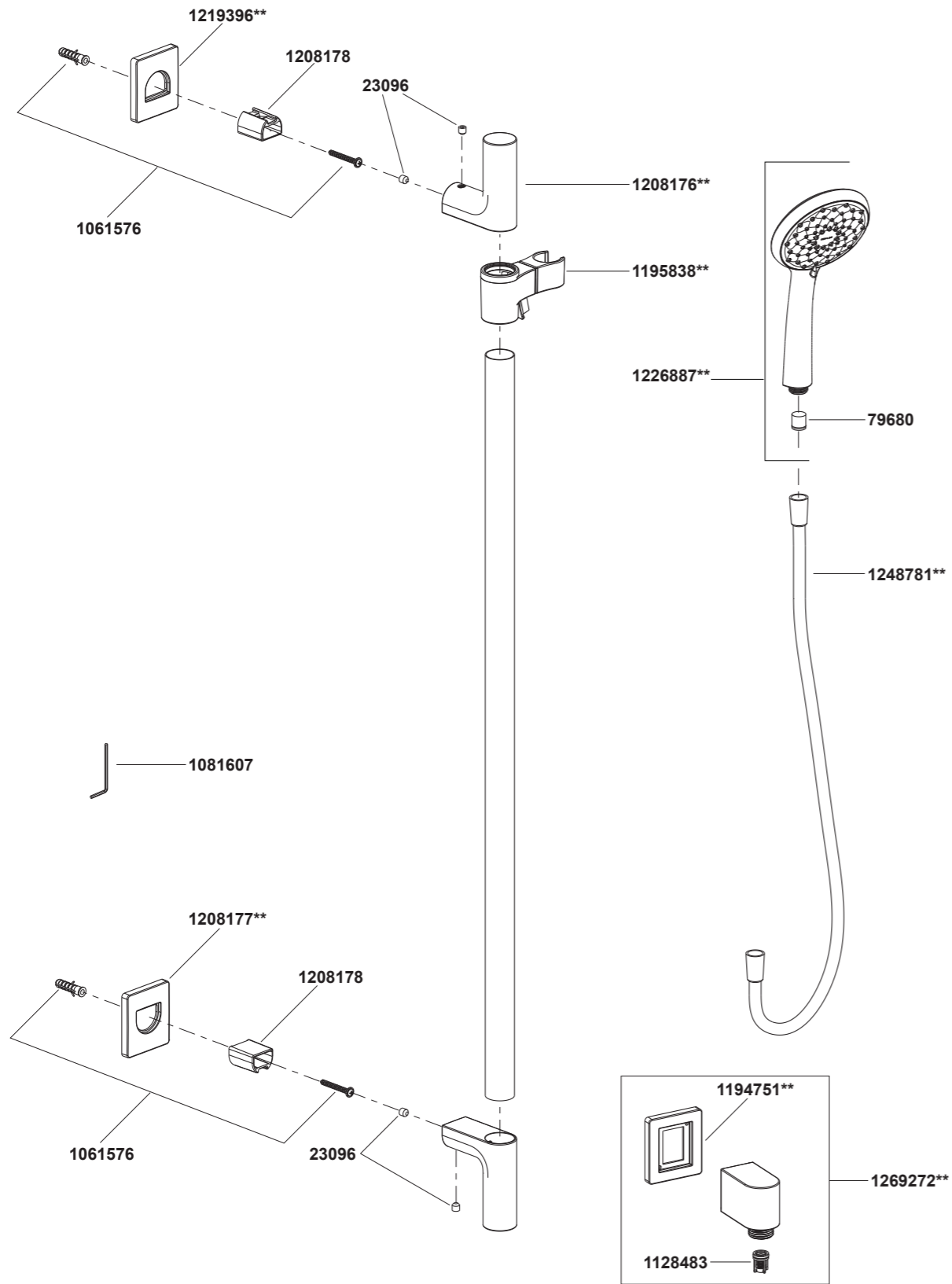


76667T-E Slide Shower



**Color code must be specified when ordering.

76667T-E Slide Shower

BEFORE YOU BEGIN

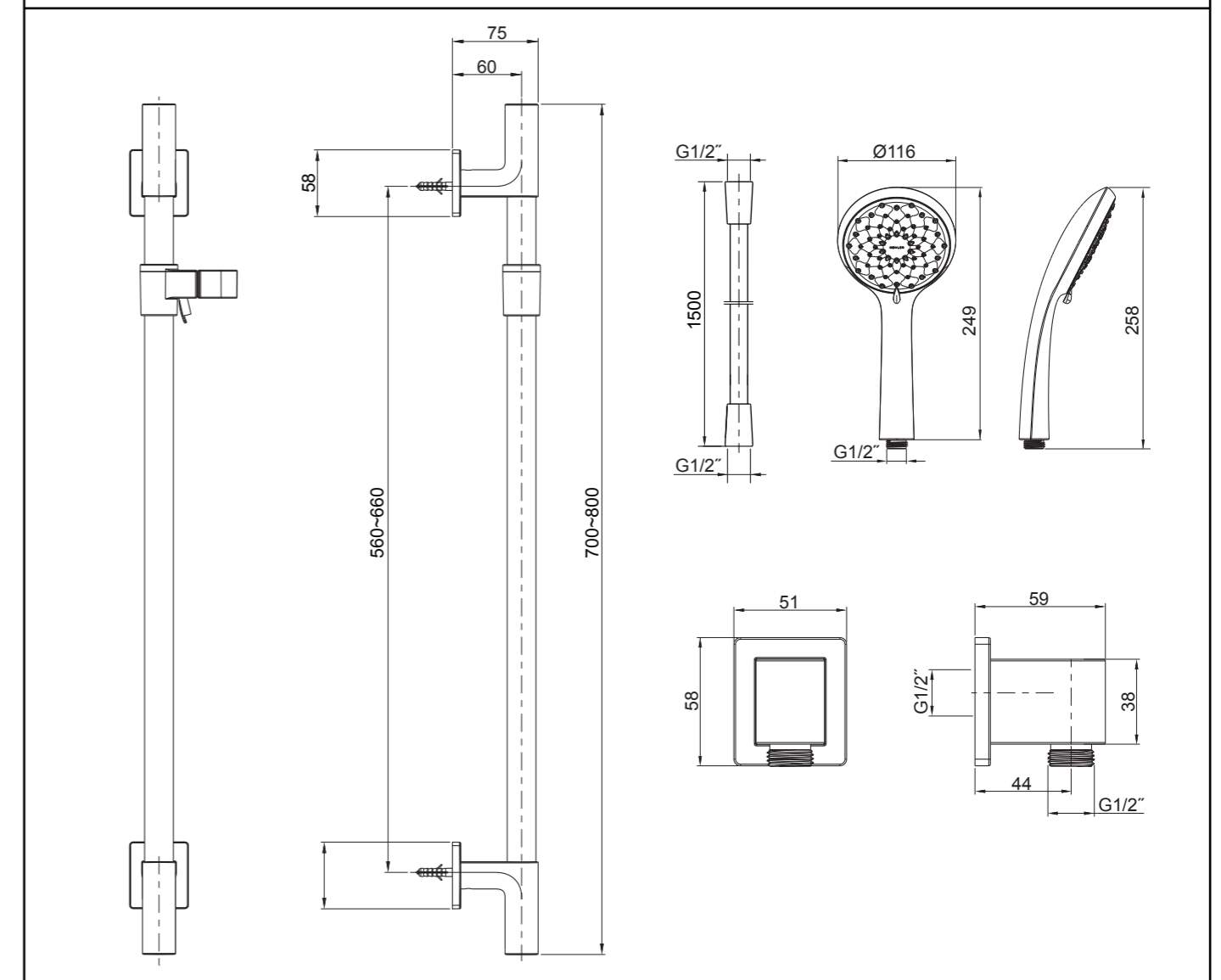
All information is based on the latest product information available at the time of publication. Kohler Co. reserves the right to make changes in product characteristics, packaging, or availability at any time without notice.

Please leave these instructions for the consumer. They contain important information.

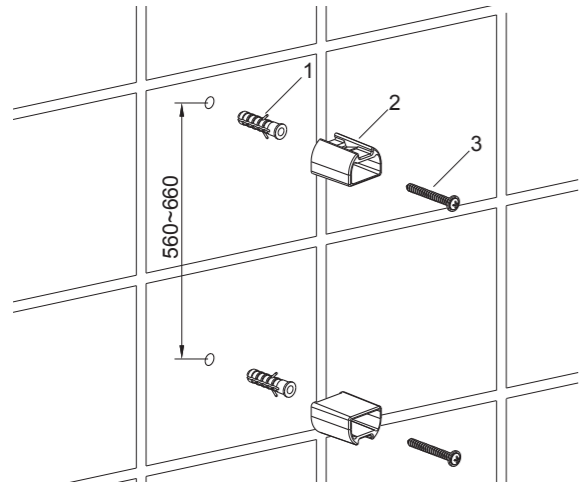
NOTES:

1. Observe local plumbing codes.
2. An inline water filter must be used with this product.
3. The highest working pressure for handshower is 0.5MPa(5 bar). If it exceeds 0.5MPa(5 bar), a pressure reducer is needed. The highest water and environment temperature is 60°C. Please keep handshower, showerhead and the shower arm away from heater, or it may become damaged and cause injury to the user.
4. All installations should comply with the relevant requirements of AS/NZS 3500 and AS/NZS 6400.

ROUGH-IN DIMENSIONS



INSTALLATION

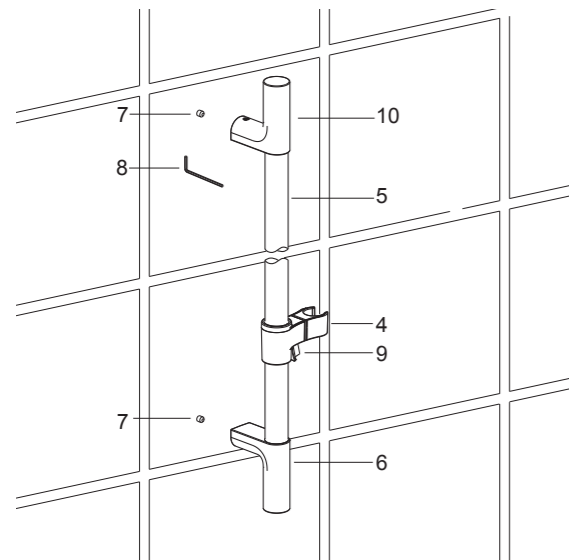


How to Install the Slide Bar

Decide on a suitable position for the slide bar avoiding buried cables and pipes in the wall.

Drill two holes at the proper height on the finished wall according to the rough-in dimensions and should match the anchors(1).

- ① Put anchors into the holes. Install the upper and under base(2) with screws(3) in the wall.

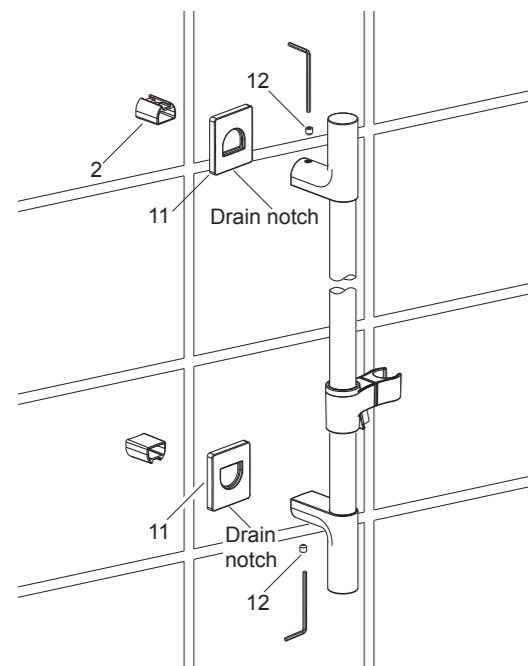


Place the bar(5) into the under slide bar body(6). Install the screw(7), tighten them by hex wrench(8).

Slide the handshower holder(4) onto the bar. The height of handshower holder can be adjusted by pressing the pinch cock(9) and sliding up and down. Adjust it to the proper position.

Tighten the screw(7) to secure upper slide bar body(10) by hex wrench according to the rough-in dimensions. Make sure the directions of the upper and under slide bar body are consistent.

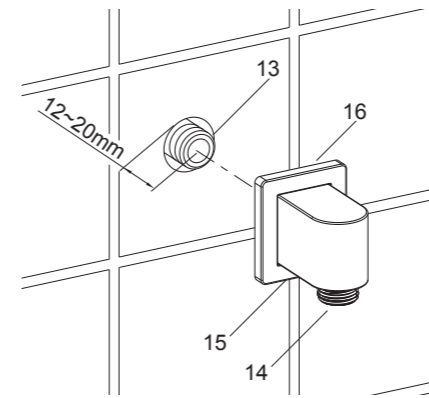
②



Slide the bracket escutcheons(11) onto the bases(2), confirm the drain notch of the escutcheon is pointed down. Install the whole slide bar onto the bases.

Tighten the screws(12) by hex wrench to secure the slide bar.

③

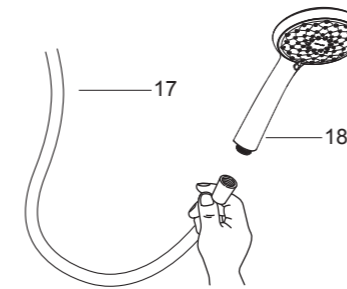


How to Install the Connection Kit

Before installation, installer must provide G1/2" supply fitting(13). Ensure it extend 12~20mm beyond the finished wall.

Apply tape or thread sealant to G1/2" threads of the supply fitting. Apply a ring of plumber putty or other sealants around the underside of the connection kit(16). Install the connection kit onto the supply fitting.

Adjust the connection kit and make sure the outlet(14) and drain notch(15) of the escutcheon downwards. Remove any excess putty.

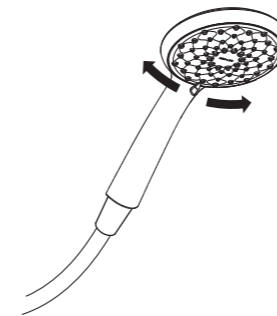


How to Install the Handshower and Hose

Flush both water supplies for about one minute before the handshower(18) is installed. Attach the handshower to shower hose(17). **NOTE:** Don't over tighten.

Connect another end of shower hose to the outlet(14) of the connection.

Hang the handshower in the bracket(4).



How to Operate the Handshower

Rotate the knob of the handshower to change the water flow.



How to Maintain the Handshower

Any debris or mineral build-up may cause the flow stream to become distorted or reduce the flow rate. To remove the debris or mineral build-up, run water through the handshower, firmly press or rub your finger back and forth across the rubber nozzles.

CLEANING INSTRUCTIONS

All Finishes: Clean the finish with mild soap and warm water. Wipe entire surface completely dry with clean soft cloth. Many cleaners may contain chemicals, such as ammonia, chlorine, toilet cleaner etc, which could adversely affect the finish and are not recommended for cleaning.

Do not use abrasive cleaners or solvents on Kohler faucets and fittings.