

72842T-4ND Single Lever Basin Mixer
 72843T-4ND Single Lever Tall Basin Mixer

BEFORE YOU BEGIN

All information is based on the latest product information available at the time of publication. Kohler Co. reserves the right to make changes in product characteristics, packaging, or availability at any time without notice.

Please leave these instructions for the consumer. They contain important information.

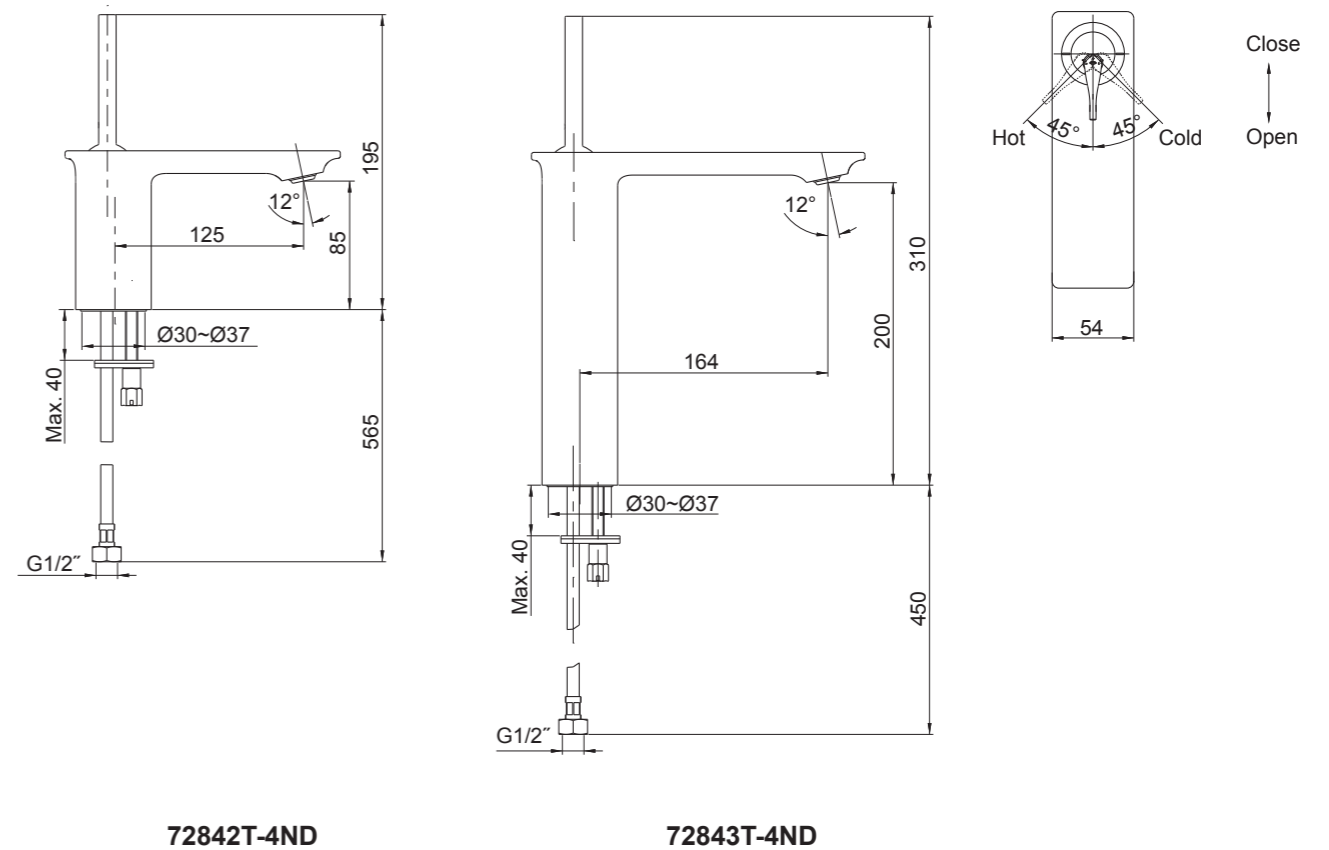
NOTES:

1. Flush the water supply pipes thoroughly to remove debris.
2. An in line water filter must be used with this product.
3. If possible, install this basin mixer before installing the basin.
4. Inspect the supply tubing for damage and leakage. Replace and maintain as necessary.
5. Observe local plumbing codes.
6. Shut off the water supplies to the fitting.
7. All installations should comply with the relevant requirements of AS/NZS 3500 and AS/NZS 6400.

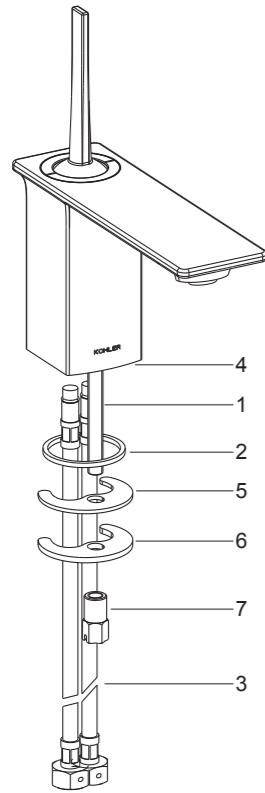
HANDLE OPERATION

Operation for open and close, hot and cold water as shown below.

ROUGH-IN DIMENSIONS



INSTALLATION



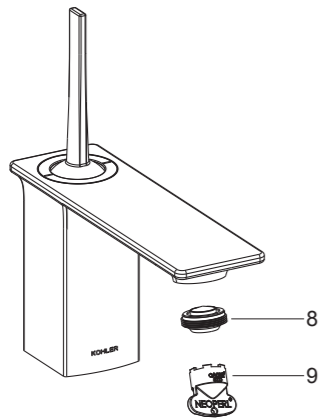
How to Install the Basin Mixer

Screw the stud(1) to the thread hole on the bottom of faucet body(4). Put the washer(2) into the bottom of faucet body through the flexible hoses(3) and the stud. Insert hoses and stud into the hole of basin.

Position the faucet on the basin. From underside of the basin, fit the washer(5) and washer(6) on the stud. Secure the mixer by tightening nut(7).

Attach the hoses to water supplies. The hose with blue dot connects to cold water.

INSTALLATION CHECKOUT



Ensure that all coupling nuts tightened. Ensure that the handle is in the off position.

Turn on the drain and main water supply, and check for leaks. Repair as needed.

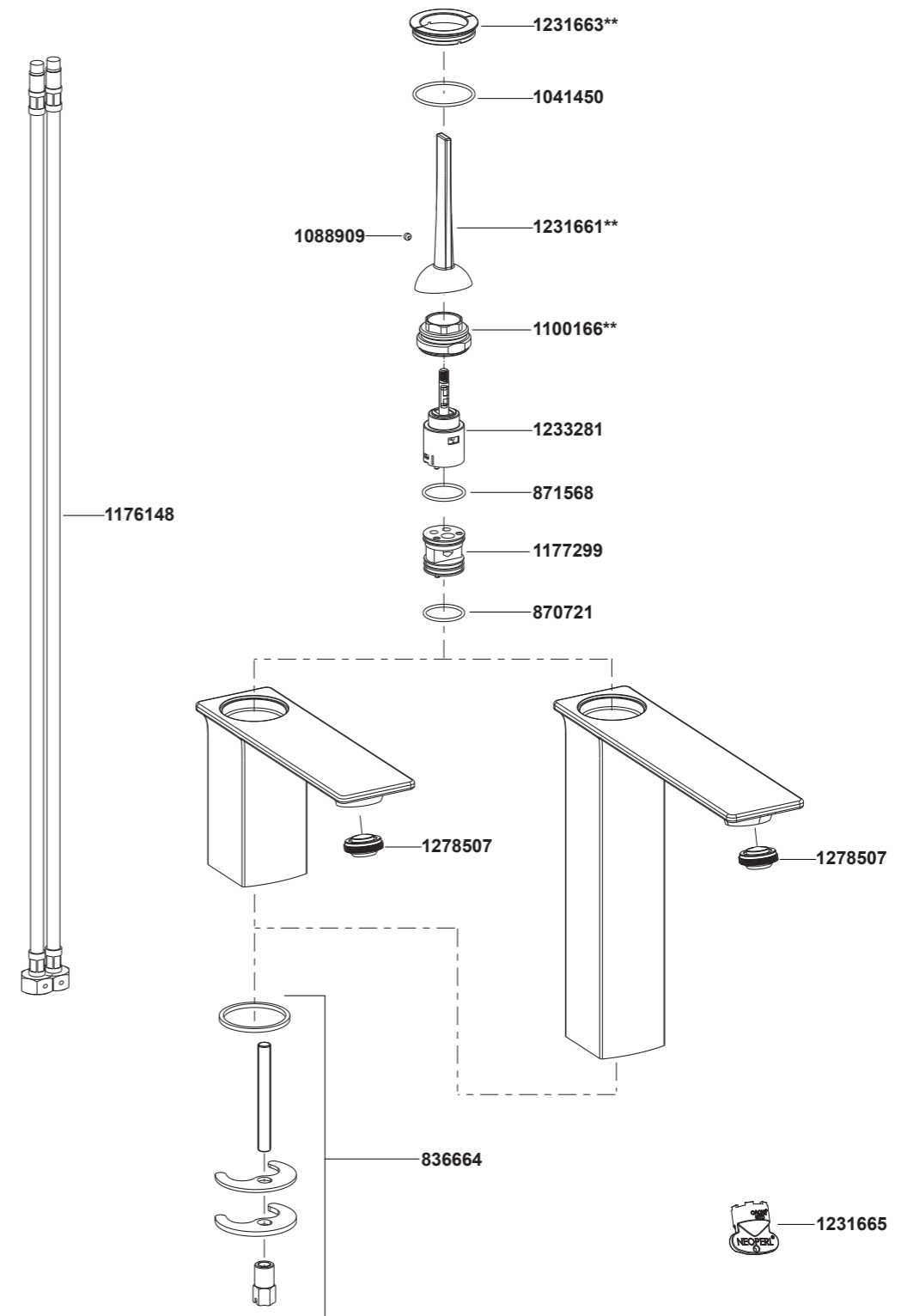
Remove the aerator(8) with the key(9) provided. Turn on mixer handle. Run hot and cold water through spout for about one minute to remove any debris. Check for leaks at this time. Remove any debris from the aerator assembly. Shut off the mixer. Reinstall the aerator assembly.

CLEANING INSTRUCTIONS

All Finishes: Clean the finish with mild soap and warm water. Wipe entire surface completely dry with clean soft cloth. Many cleaners may contain chemicals, such as ammonia, chlorine, toilet cleaner etc, which could adversely affect the finish and are not recommended for cleaning.

Do not use abrasive cleaners or solvents on Kohler faucets and fittings.

72842T-4ND Single Lever Basin Mixer
72843T-4ND Single Lever Tall Basin Mixer



**Color code must be specified when ordering