

### 77189T Hob Mount Bath Spout

#### BEFORE YOU BEGIN

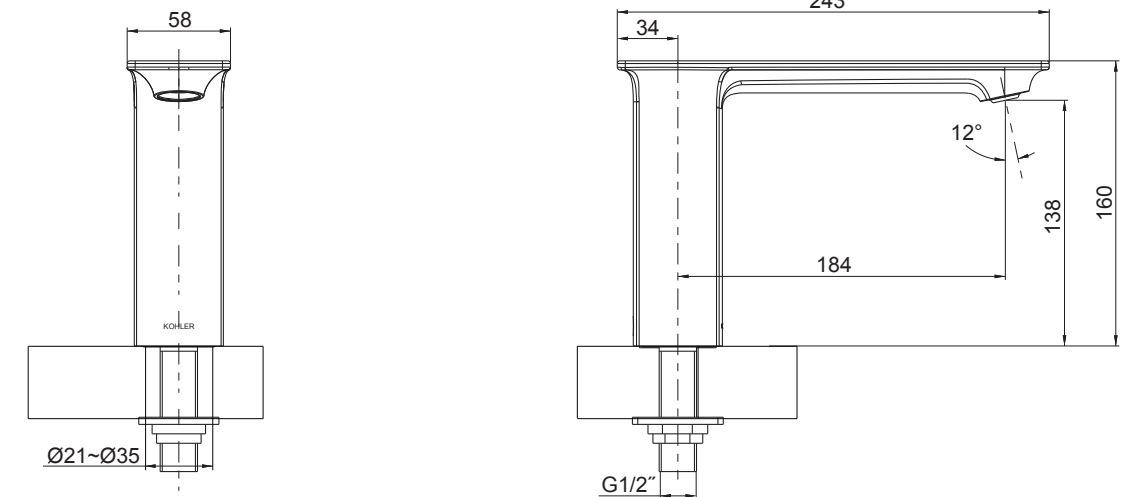
All information is based on the latest product information available at the time of publication. Kohler Co. reserves the right to make changes in product characteristics, packaging, or availability at any time without notice.

Please leave these instructions for the consumer. They contain important information.

#### NOTES:

1. Flush the water supply pipes thoroughly to remove any debris.
2. An in line water filter must be used with this product.
3. Inspect the supply pipes for damage. Replace as necessary.
4. Observe local plumbing codes.
5. If possible, install this spout before installing the bath.
6. Recommended working pressure: 100KPa to 500KPa.
7. Maximum working pressure: 800KPa.
8. All installations should comply with the relevant requirements of AS/NZS 3500.

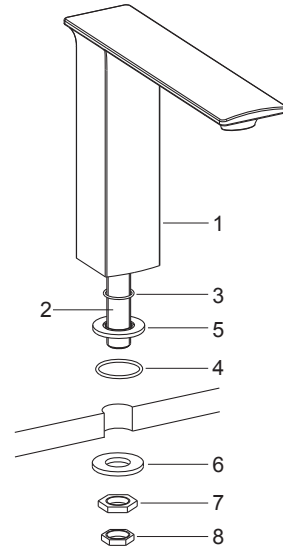
#### ROUGH-IN DIMENSIONS



## INSTALLATION

### How to Install the Spout

- 1.) Remove the parts from the spout kit(1) and retain them according to the following order: the nut(8), the nut(7), the washer(6) and the metal washer(5).
- 2.) Slide the o-ring(3) into the top groove of the metal washer(5), slide the o-ring(4) into the bottom groove of the metal washer(5), install the metal washer with o-rings on the spout inlet(2) on the bottom of the spout.
- 3.) Fit the spout to the hole of the bath tub. From underneath, install the washer(6), nut(7), nut(8) and loosely tighten.
- 4.) Position the tap so that the spout points to the front. Secure the spout by tightening nut(7) and nut(8).



## INSTALLATION CHECKOUT

Ensure that all coupling nuts are tight. Ensure that the handle is in the off position.

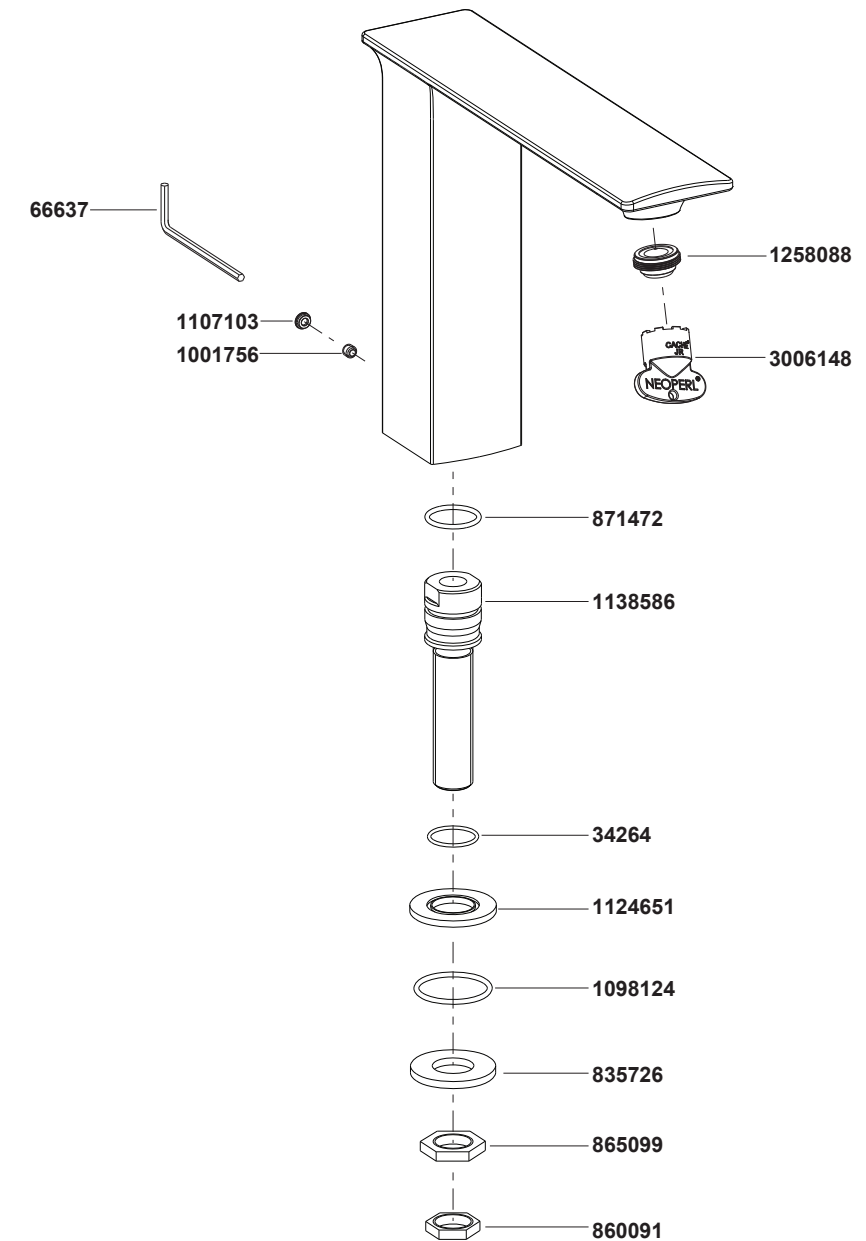
Turn on the drain and main water supply, and check for leaks. Repair as needed.

## CLEANING INSTRUCTIONS

All Finishes: Clean the finish with mild soap and warm water. Wipe entire surface completely dry with clean soft cloth. Many cleaners may contain chemicals, such as ammonia, chlorine, toilet cleaner etc, which could adversely affect the finish and are not recommended for cleaning.

Do not use abrasive cleaners or solvents on Kohler faucets and fittings.

## 77189T Hob Mount Bath Spout



\*\*Color code must be specified when ordering