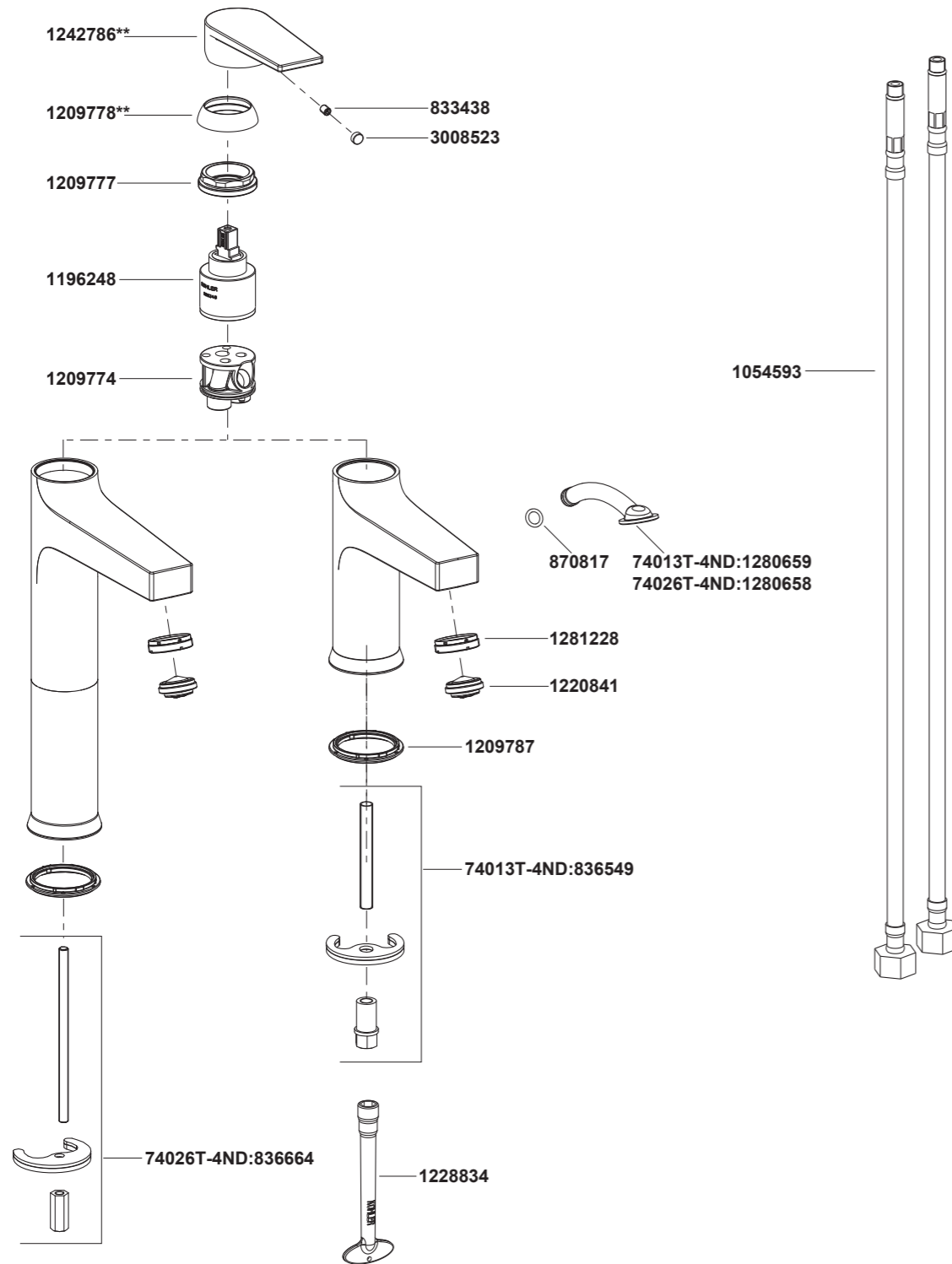


74013T-4ND Single Lever Basin Mixer
74026T-4ND Single Lever Tall Basin Mixer



**Color code must be specified when ordering.

74013T-4ND Single Lever Basin Mixer
74026T-4ND Single Lever Tall Basin Mixer

BEFORE YOU BEGIN

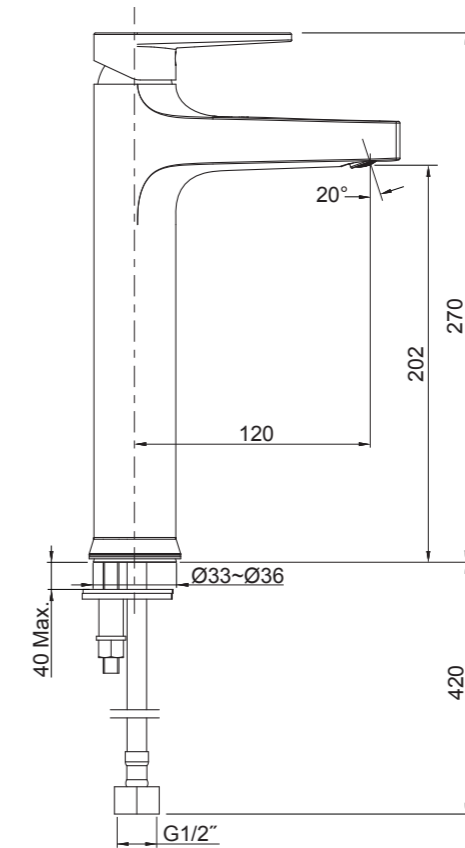
All information is based on the latest product information available at the time of publication. Kohler Co. reserves the right to make changes in product characteristics, packaging, or availability at any time without notice.

Please leave these instructions for the consumer. They contain important information.

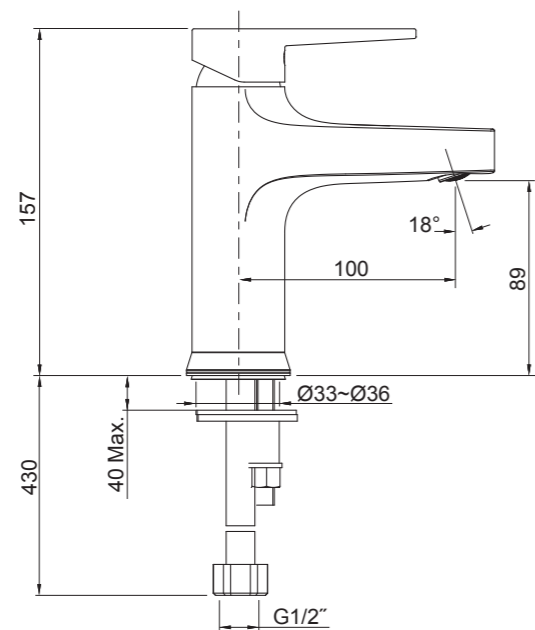
NOTES:

1. Flush the water supply pipes thoroughly to remove debris.
2. An inline water filter must be used with this product.
3. If possible, install this basin mixer before installing the basin.
4. Inspect the supply tubing for damage and leakage. Replace and maintain as necessary.
5. Observe local plumbing codes.
6. Shut off the water supplies to the fitting.
7. All installations should comply with the relevant requirements of AS/NZS 3500 and AS/NZS 6400.

ROUGH-IN DIMENSIONS

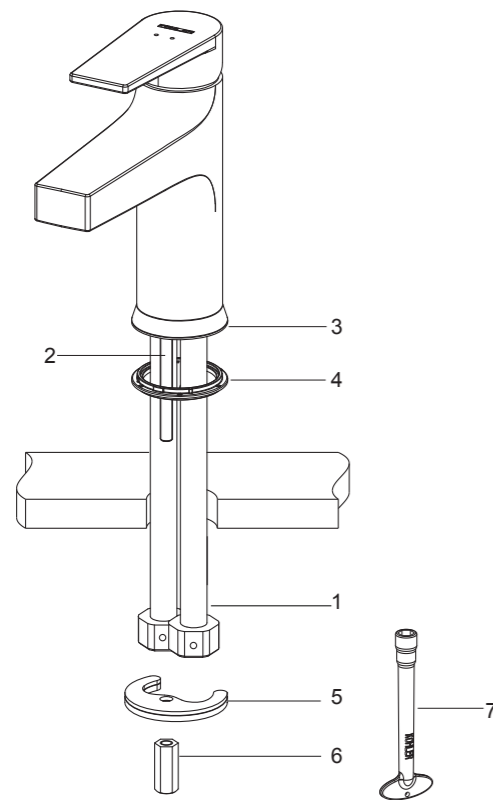


74026T-4ND



74013T-4ND

INSTALLATION



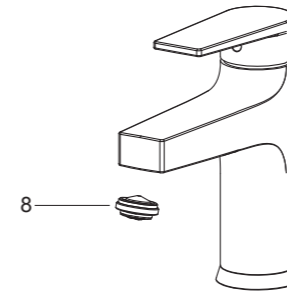
Install the mounting stud(2) onto the faucet body base(3).

Slide the washer(4) over the flexible hose(1) and mounting stud, and into the groove at the bottom of the faucet body.

Insert the faucet assembly into the lavatory hole. Position the faucet. From underside of the lavatory, place the bracket(5, Rubber washer is on the top) onto the mounting stud, and tighten the nut(6) by tool(7) to secure the faucet.

Attach the hoses to water supplies. When facing front of the basin mixer, the left hose connects to hot water, the right hose with blue mark connects to cold water.

INSTALLATION CHECKOUT



Ensure that all connections tightened. Ensure that the handle is in the off position. Turn on the drain and main water supply, and check for leaks. Repair as needed.

Remove the aerator(8) by coin. Turn on the faucet. Run hot and cold water through the spout for about one minute to remove any debris. Remove debris from the aerator. Shut off the faucet and reinstall the aerator.

CLEANING INSTRUCTIONS

All Finishes: Clean the finish with mild soap and warm water. Wipe entire surface completely dry with clean soft cloth. Many cleaners may contain chemicals, such as ammonia, chlorine, toilet cleaner etc, which could adversely affect the finish and are not recommended for cleaning.

Do not use abrasive cleaners or solvents on Kohler faucets and fittings.