

72597T-E Showerhead

BEFORE YOU BEGIN

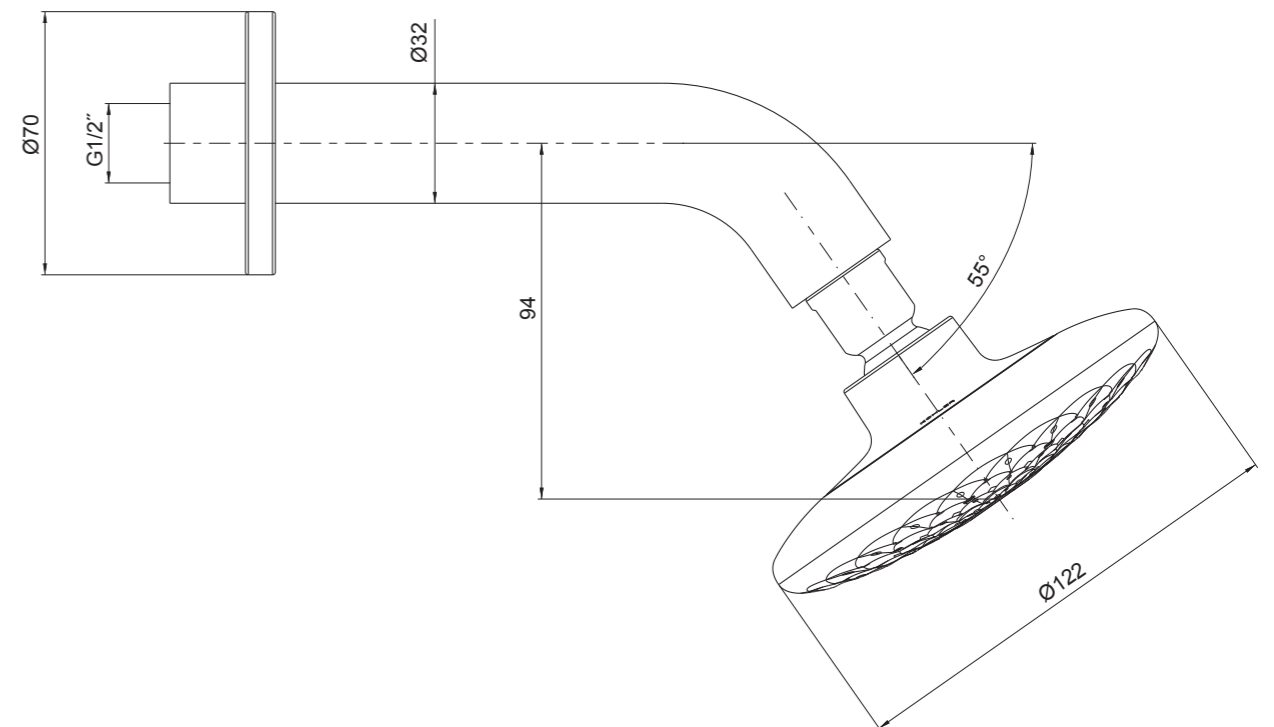
All information is based on the latest product information available at the time of publication. Kohler Co. reserves the right to make changes in product characteristics, packaging, or availability at any time without notice.

Please leave these instructions for the consumer. They contain important information.

NOTES:

1. Observe local plumbing codes.
2. An inline water filter must be used with this product.
3. The highest working pressure for handshower is 0.5MPa(5 bar). If it exceeds 0.5MPa(5 bar), a pressure reducer is needed. The highest water and environment temperature is 60°C. Please keep handshower, showerhead and the shower arm away from heater, or it may become damaged and cause injury to the user.
4. All installations should comply with the relevant requirements of AS/NZS 3500.

ROUGH-IN DIMENSIONS

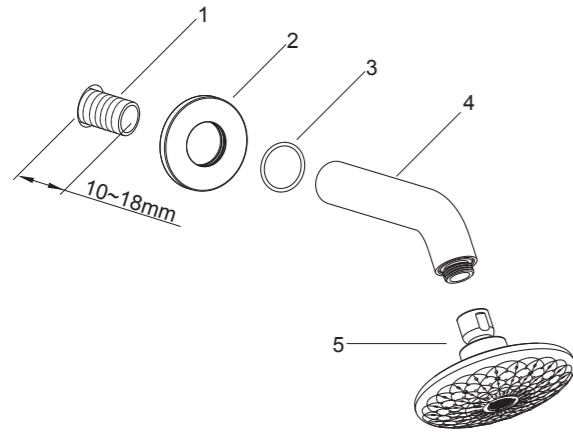


72597T-E

INSTALLATION

How to Install the Showerhead

Install the G1/2" nipple(1, not provided) to the pipe so it extends 10~18mm beyond the finished wall.



Be sure the O-ring(3) is in the escutcheon(2), apply a ring of plumbers putty around the back surface of the escutcheon. Apply tape or thread sealant to the nipple threads, install the escutcheon and the shower arm(4). Adjust the shower arm downwards, tighten with a strap wrench. Adjust the escutcheon and make sure it against the wall. Remove any excess putty.

Flush both water supplies through the shower arm for about one minute to remove debris.

Connect the showerhead(5) to the shower arm.

How to Maintain the Showerhead

Any debris or mineral build-up may cause the flow stream to become distorted or reduce the flow rate.

To remove the debris or mineral build-up, run water through the showerhead, firmly press or rub your finger back and forth across the rubber nozzles.

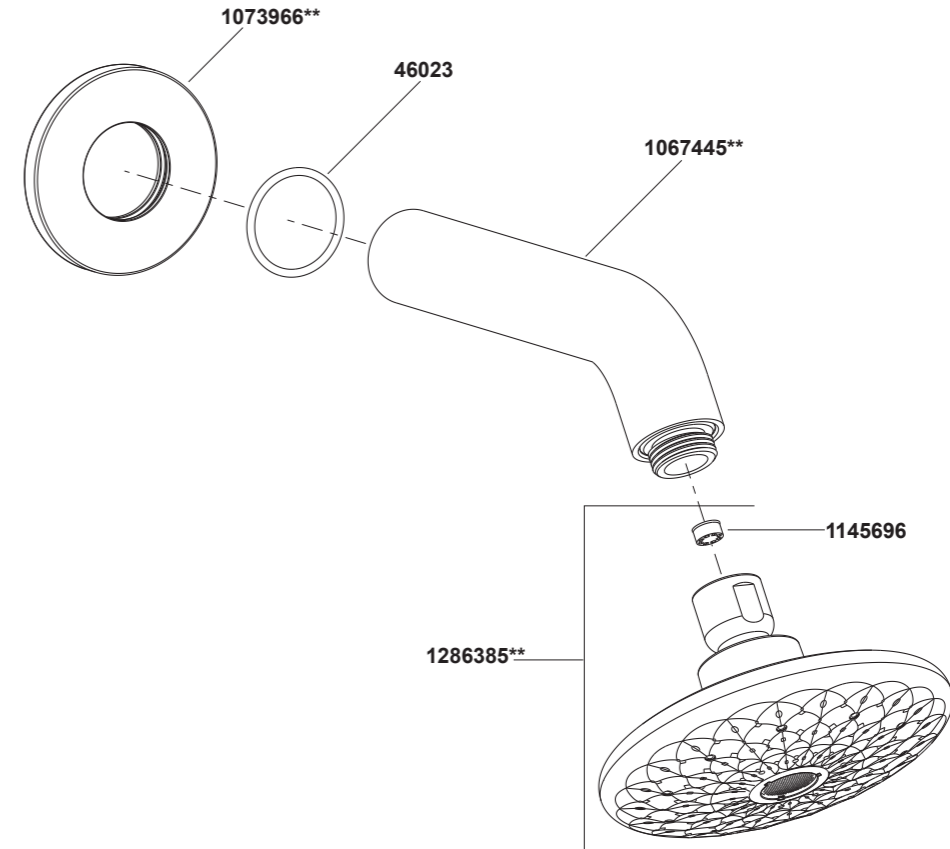


CLEANING INSTRUCTIONS

All Finishes: Clean the finish with mild soap and warm water. Wipe entire surface completely dry with clean soft cloth. Many cleaners may contain chemicals, such as ammonia, chlorine, toilet cleaner etc, which could adversely affect the finish and are not recommended for cleaning.

Do not use abrasive cleaners or solvents on Kohler faucets and fittings.

72597T-E Showerhead



**Color code must be specified when ordering.