

Features

- Brass construction
- Durable KOHLER finishes resist corrosion and tarnishing
- Industrial handle

SHOWER OR BATH WITH DIVERTER THIN TRIM
- INDUSTRIAL HANDLE

21397T-9

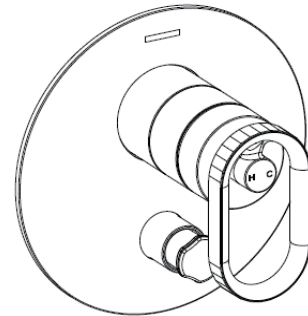
Codes/Applicable Standards

Specified model meets or exceeds the following

- AS NZS 3718-2005

Installation Notes

Install this product according to the installation guide.



Specified Models

SKU	Description	Color/Finish
21397T-9	Components Shower or Bath with Diverter Thin Trim - Industrial Handle	CP: Polished Chrome, BN: Brushed Nickel, BL: Matte Black*

Note: For a full range of color finishes in your market please contact your local Kohler representative.

*BL launch date to be announced, CP & BN available now

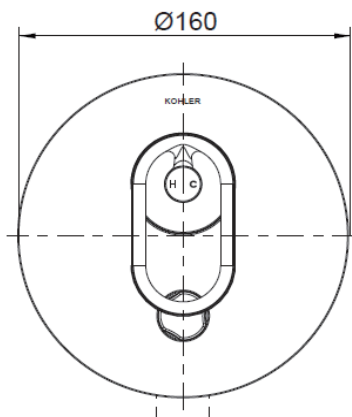
Required Accessories

78980T-DR	Shower & Bath 40mm valve with diverter	CP: Polished Chrome, BN: Brushed Nickel, BL: Matte Black*
-----------	--	---

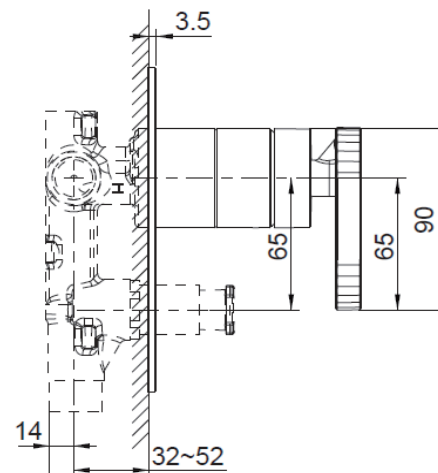
Product Diagram

Dimensions are approximate

unit: mm



The Finished Wall



21397T-9