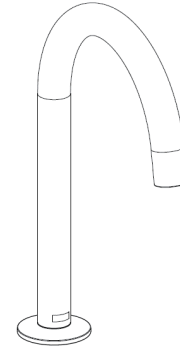


Features

- Brass construction
- Durable KOHLER finishes resist corrosion and tarnishing
- Concealed, easy-clean aerator and key
- Coordinate with your choice of Components handles for a personalized design (handles sold separately)
- 191 mm spout reach
- Metal mounting hardware assures a secure installation

DECK MOUNT BATH SPOUT - TUBE

22959T



Codes/Applicable Standards

Specified model meets or exceeds the following

- AS NZS 3718-2005

Installation Notes

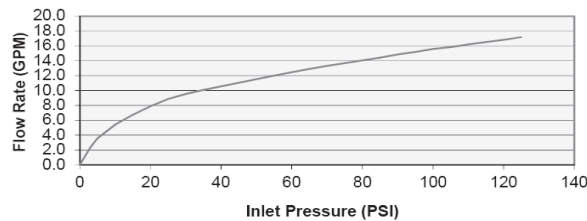
Install this product according to the installation guide.

Specified Models

SKU	Description	Color/Finish
22959T	Components Deck Mount Bath Spout - Tube	CP: Polished Chrome, BN: Brushed Nickel, BL: Matte Black*

Note: For a full range of color finishes in your market please contact your local Kohler representative.

*BL launch date to be announced, CP & BN available now



Flow Curve

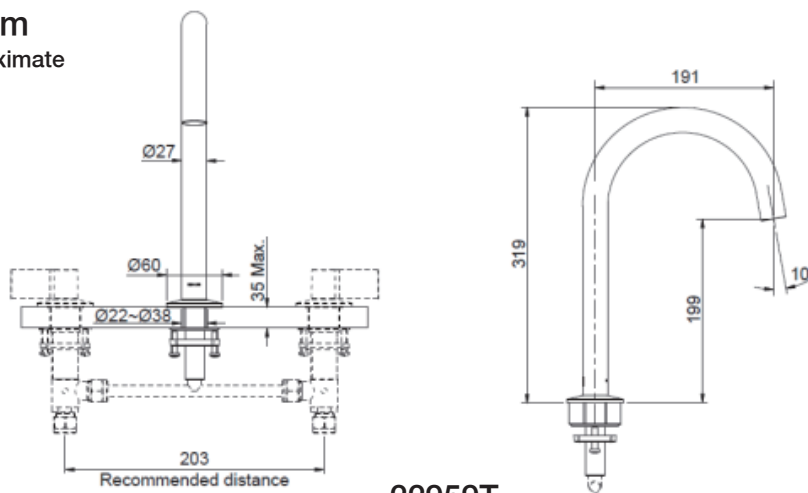
Note: Flow rates are approximate (1gallon = 3.785liters, 1 bar = 14.5psi)

Required Accessories

77990T-9DR	Components Top Assembly - Industrial	CP: Polished Chrome, BN: Brushed Nickel, BL: Matte Black*
77990T-8DR	Components Top Assembly - Oyl	CP: Polished Chrome, BN: Brushed Nickel, BL: Matte Black*
77990T-4DR	Components Top Assembly - Lever	CP: Polished Chrome, BN: Brushed Nickel, BL: Matte Black*
77963T-8ADR	Components Rocker Remote Handle	CP: Polished Chrome, BN: Brushed Nickel, BL: Matte Black*

Product Diagram

Dimensions are approximate unit: mm



22959T