

### 24717T-E Multifunction Handshower-Organic

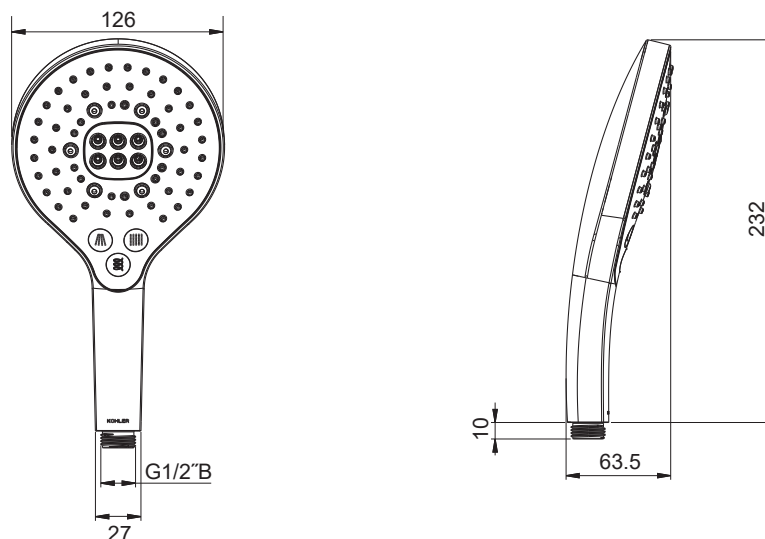
#### BEFORE YOU BEGIN

All information is based on the latest product information available at the time of publication. Kohler Co. reserves the right to make changes in product characteristics, packaging, or availability at any time without notice. Please leave these instructions for the consumer. They contain important information.

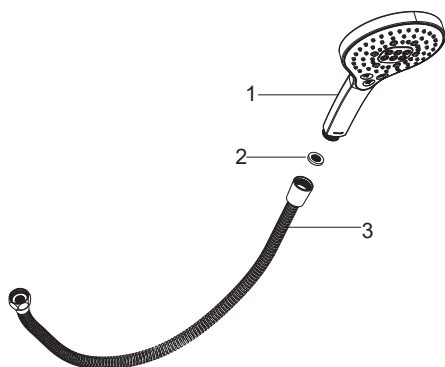
#### NOTES:

1. Flush the water supply pipes thoroughly to remove debris.
2. An in line water filter must be used with this product.
3. The highest working pressure for handshower is 0.5MPa(5 bar). If it exceeds 0.5MPa(5 bar), a pressure reducer is needed. The highest water and environment temperature is 60°C. Please keep handshower, shower head and the shower arm away from heater, or it may become damaged and cause injury to the user.
4. All installations should comply with the relevant requirements of AS/NZS 3500 and AS/NZS 6400.

#### ROUGH-IN DIMENSIONS



#### INSTALLATION



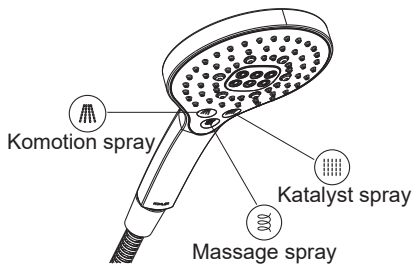
#### How to Install the Handshower

Flush both water supplies for about one minute to remove any debris before installing the handshower(1).

Put the screen washer(2) into the shower hose(3, not provided) connector. Connect the handshower to the hose.

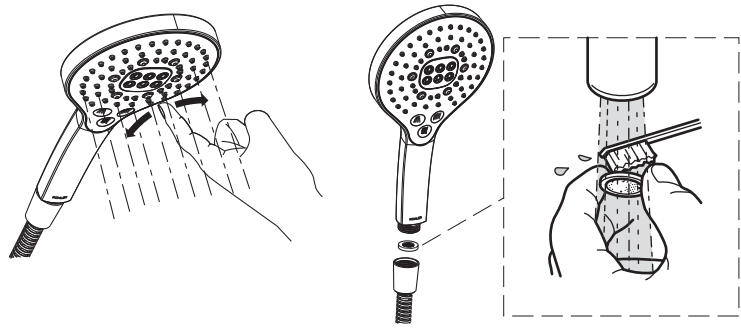
**NOTE:** Don't overtighten it.

Connect the other end of hose to the water supply.



### How to Operate the Handshower

Press the buttons of the handshower to change the sprays as shown.



### How to Maintain the Handshower

Any debris or water scale may cause distorted flow stream or reduce the flow rate. Run water through the handshower, and use fingers to press or rub firmly across the rubber nozzles to remove the debris or water scale.

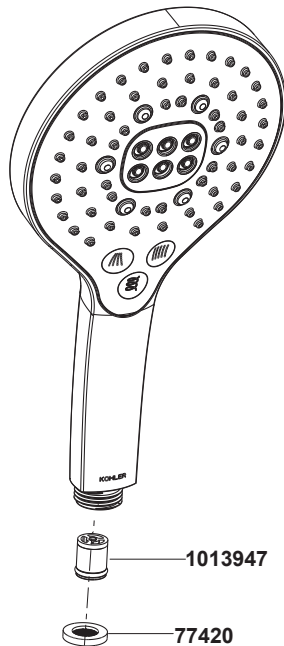
Remove and clean the screen washer.

## CLEANING INSTRUCTIONS

All Finishes: Clean the finish with mild soap and warm water. Wipe entire surface completely dry with clean soft cloth. Many cleaners may contain chemicals, such as ammonia, chlorine, toilet cleaner etc. which could adversely affect the finish and are not recommended for cleaning.

Do not use abrasive cleaners or solvents on Kohler faucets and fittings.

## SERVICE PARTS



\*\*Color code must be specified when ordering.