

72415T-E Multi Function Hand Shower-Geometric 72421T-E Multi Function Hand Shower-Organic

BEFORE YOU BEGIN

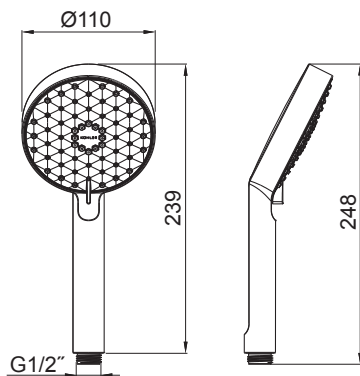
All information is based on the latest product information available at the time of publication. Kohler Co. reserves the right to make changes in product characteristics, packaging, or availability at any time without notice.

Please leave these instructions for the consumer. They contain important information.

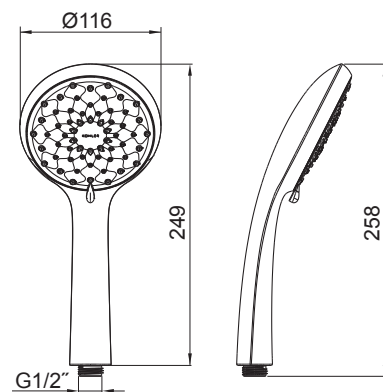
NOTES:

1. Flush the water supply pipes thoroughly to remove debris.
2. An in line water filter must be used with this product.
3. The highest working pressure for hand shower is 0.5MPa(5 bar). If it exceeds 0.5MPa(5 bar), a pressure reducer is needed. The highest water and environment temperature is 60°C. Please keep hand shower, shower head and the shower arm away from heater, or it may become damaged and cause injury to the user.
4. Observe local plumbing codes.
5. All installations should comply with the relevant requirements of AS/NZS 3500 and AS/NZS 6400.

ROUGH-IN DIMENSIONS



72415T-E



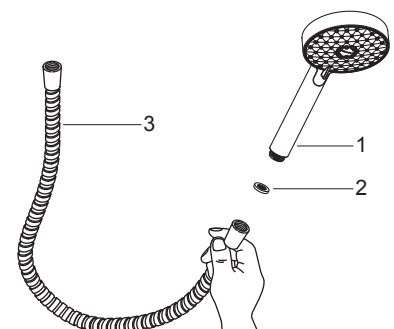
72421T-E

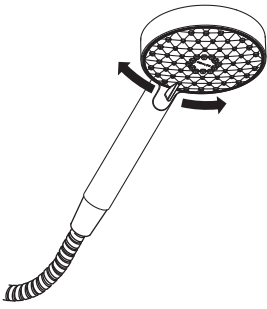
INSTALLATION

Flush both water supply for about one minute before the hand shower(1) is installed.

Put the screen washer(2, not provided) into the shower hose(3, not provided) connector. Attach the hand shower to shower hose. **Note:** Don't over tighten.

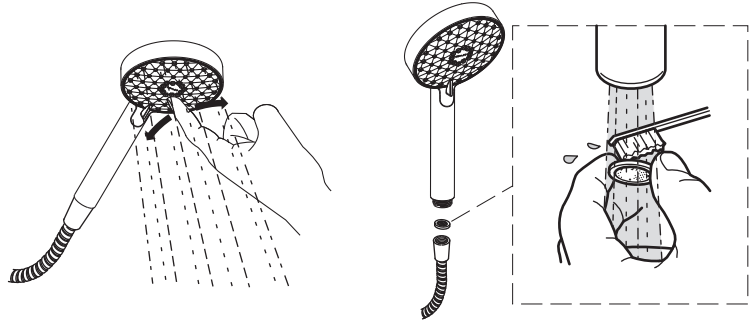
Connect another end of shower hose to the water supply.





How to Operate the Hand Shower

Rotate the knob of the hand shower to change the water flow.



How to Maintain the Hand Shower

Any debris or mineral build-up may cause the flow stream to become distorted or reduce the flow rate. To remove the debris or mineral build-up, run water through the hand shower, firmly press or rub your finger back and forth across the rubber nozzles.

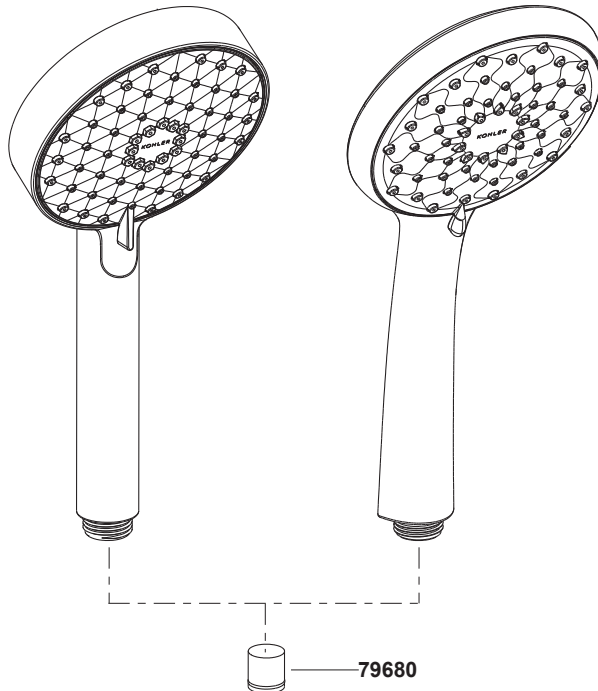
Remove and clean the screen washer.

CLEANING INSTRUCTIONS

All Finishes: Clean the finish with mild soap and warm water. Wipe entire surface completely dry with clean soft cloth. Many cleaners may contain chemicals, such as ammonia, chlorine, toilet cleaner etc, which could adversely affect the finish and are not recommended for cleaning.

Do not use abrasive cleaners or solvents on Kohler faucets and fittings.

SERVICE PARTS



**Color code must be specified when ordering