

Features

- Brass construction
- Durable KOHLER finishes resist corrosion and tarnishing
- Oly Handle(s)
- Easy grip design with special anti-slipping features
- Coordinate with your choice of Components spouts for a personalized design (spout sold seperately)

WALL MOUNT DUAL HANDLES - OYL

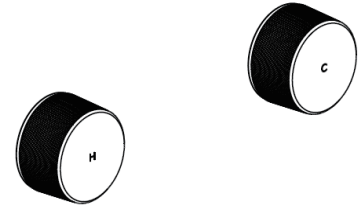
77981T-8

Codes/Applicable Standards

- Specified model meets or exceeds the following
- AS NZS 3718-2005

Installation Notes

Install this product according to the installation guide.



Specified Models

SKU	Description	Color/Finish
77981T-8	Components Wall Mount Dual Handles - Oyl	CP: Polished Chrome, BN: Brushed Nickel, BL: Matte Black*

Note: For a full range of color finishes in your market please contact your local Kohler representative.

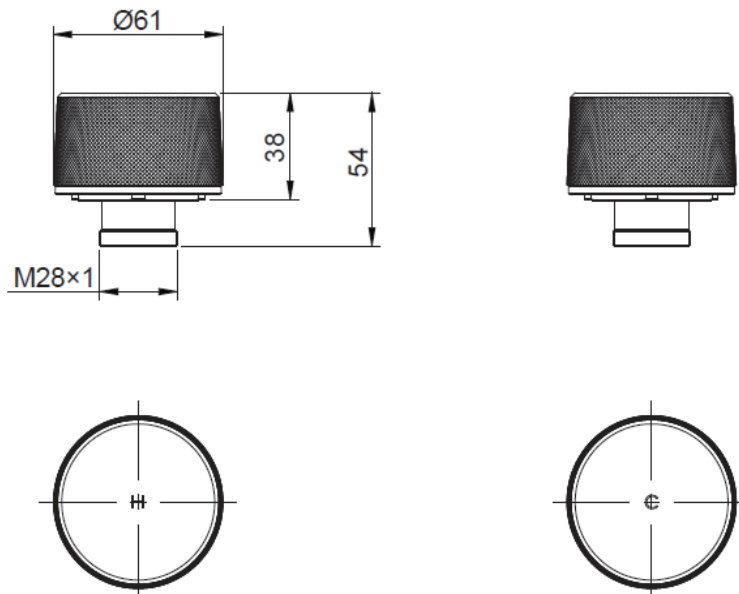
*BL launch date to be announced, CP & BN available now

Required Accessories

28139T-DR	Dual Handle Inwall Valve	N/A
23888T-ND	Components Wall Mount Basin Spout - Ribbon	CP: Polished Chrome, BN: Brushed Nickel, BL: Matte Black*
23889T-ND	Components Wall Mount Basin Spout - Row	CP: Polished Chrome, BN: Brushed Nickel, BL: Matte Black*
23890T-ND	Components Wall Mount Basin Spout - Tube	CP: Polished Chrome, BN: Brushed Nickel, BL: Matte Black*

Product Diagram

Dimensions are approximate
unit: mm



77981T-8