

INSTALLATION INSTRUCTIONS

8524T
349T 421T 974T 20214T EX27055T

Slider Bar
Slider Bar Trim

BEFORE YOU BEGIN

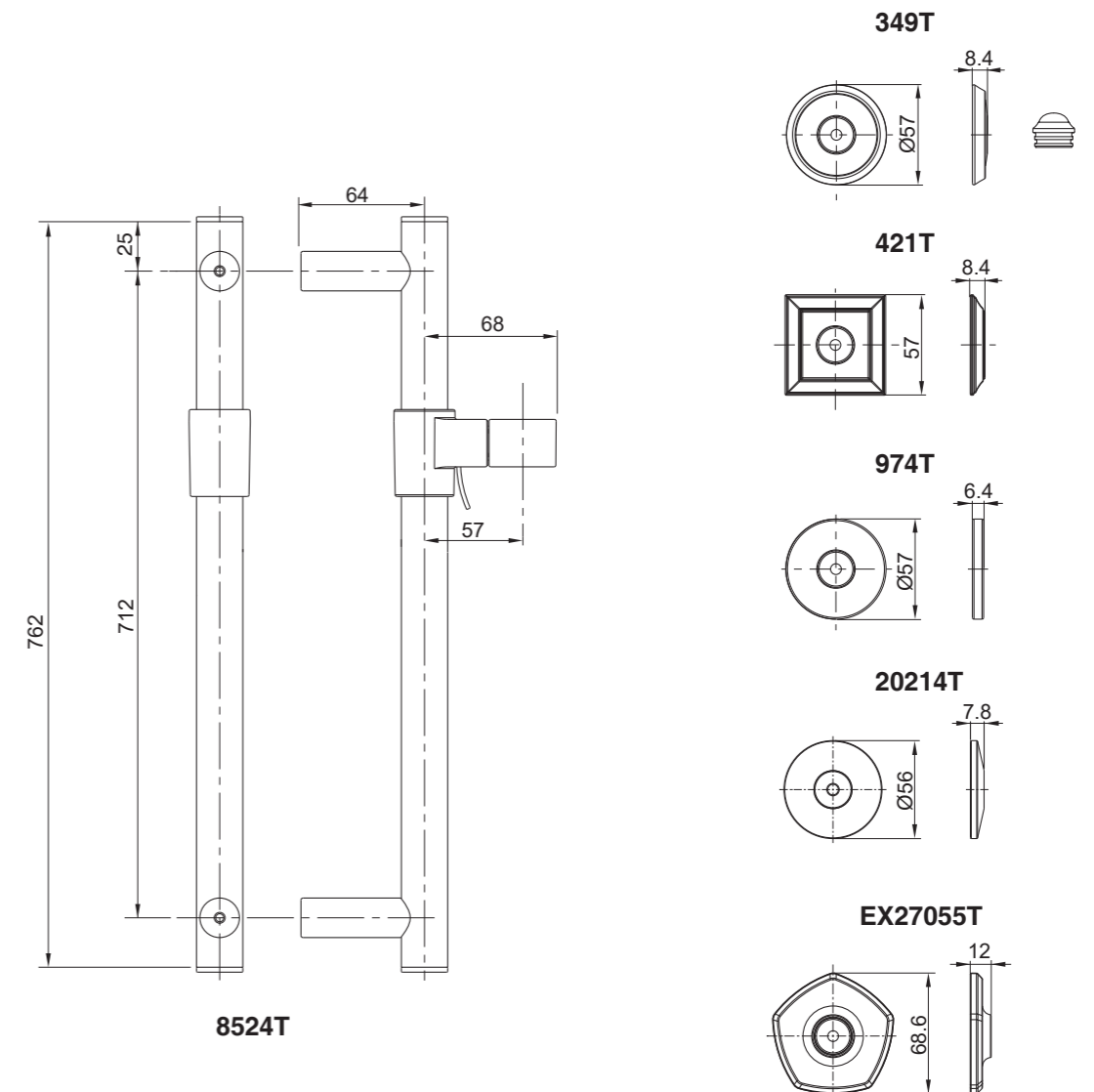
All information is based on the latest product information available at the time of publication. Kohler Co. reserves the right to make changes in product characteristics, packaging, or availability at any time without notice.

Please leave these instructions for the consumer. They contain important information.

NOTES:

The slide bar 8524T must be used with slide bar escutcheon 349T, 421T, 974T, 20214T or EX27055T.

ROUGH-IN DIMENSIONS



INSTALLATION

Select a suitable location to drill two holes on the finished wall according to the rough-in dimensions and diameter of the anchor(1), their distance is 712mm. Press the anchors into the holes.

Customer could select and install the slide bar escutcheon(2): 349T, 421T, 974T, 20214T or EX27055T.

Apply a ring of plumbers putty or sealant into the groove on the backside of an escutcheon. Position an escutcheon and post(3) over the mounting hole. Secure an escutcheon and post to the wall with a screw(4). Loosely tighten the screw.

Hold the slide bar up against the posts. Adjust the position of the posts until the slide bar fits snug against the curved cutout of the posts. Remove the slide bar and tighten the screws to secure the posts.

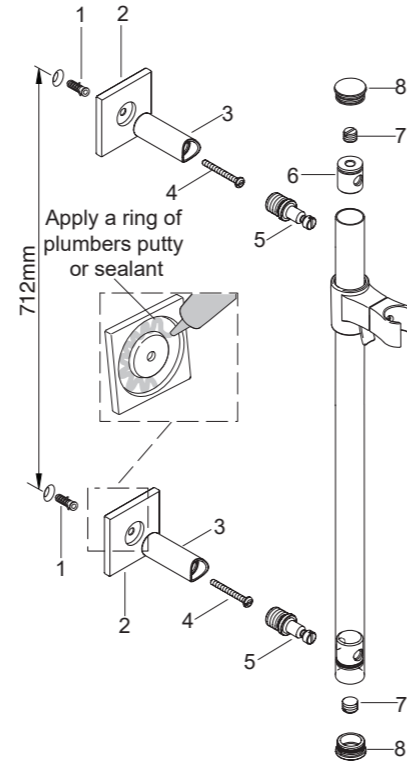
Thread the pin(5) into the post; tighten with a flat blade screwdriver.

Line up the hole of each lock assembly(6) with the holes of the slide bar. If needed, use a screwdriver to adjust the position of the lock assemblies.

Align the pins with the holes in the slide bar and slide bar locks. Insert the pins through the sidebar and lock assemblies.

Secure the slide bar by tightening the setscrews(7) into the lock assemblies.

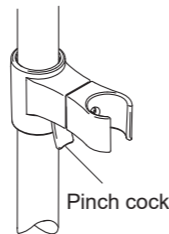
Press the cap(8) into each end of the slide bar.



INSTALLATION CHECKOUT

Ensure that all coupling nuts are tightened.

The height of handshower holder can be adjusted by pressing the pinch cock and sliding up and down.



CLEANING INSTRUCTIONS

All Finishes: Clean the finish with mild soap and warm water. Wipe entire surface completely dry with clean soft cloth. Many cleaners may contain chemicals, such as ammonia, chlorine, toilet cleaner etc. which could adversely affect the finish and are not recommended for cleaning.

Do not use abrasive cleaners or solvents on Kohler faucets and fittings.

KOHLER®

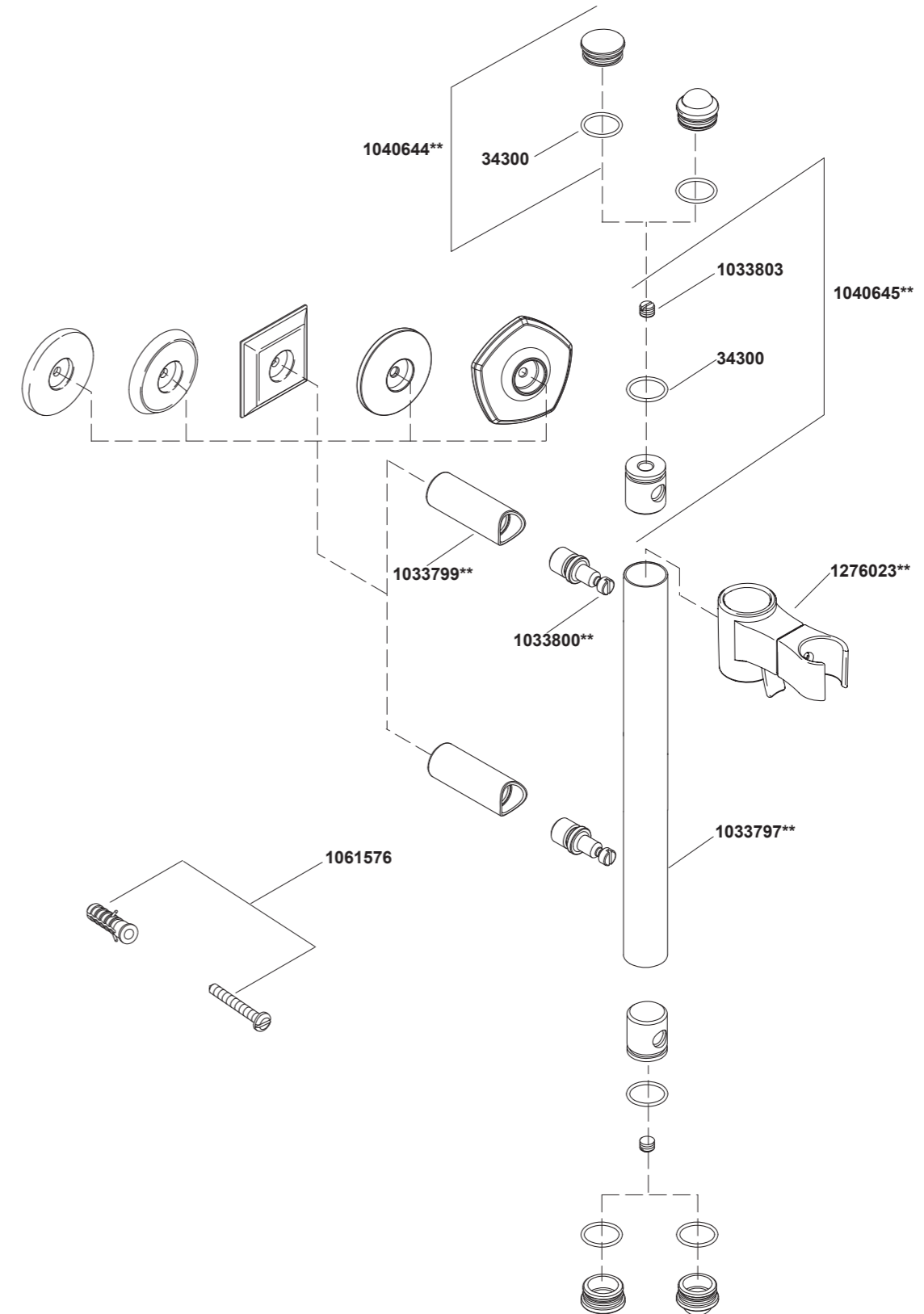
SERVICE PARTS

8524T

349T 421T 974T 20214T EX27055T

Slider Bar

Slider Bar Trim



**Color code must be specified when ordering