

## INSTALLATION INSTRUCTIONS

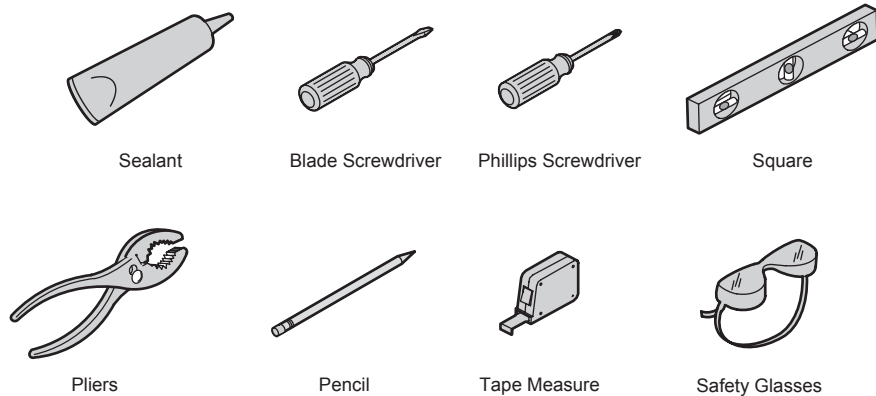
### BEFORE YOU BEGIN

Thank you... You have just purchased the best bath drain your money can buy. Kohler drains work smoothly and reliably, and keep their gleaming finishes. For easy installation, follow these step-by-step instructions.

Carefully read these instructions before you attempt to remove your old drain or install your new one. Make sure you have the proper tools and materials listed on the following page to complete the job. This will help you avoid unnecessary expense resulting from improper installation.

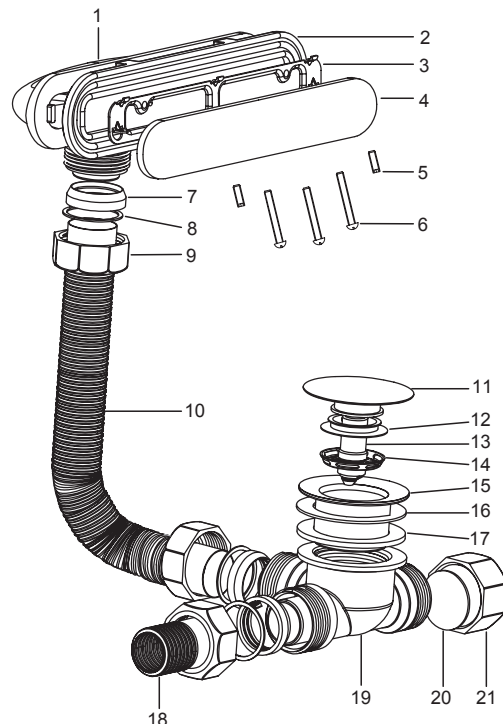
Your new Kohler drain has been designed for easy installation using common household tools.

### Tools Required



### PARTS IDENTIFICATION

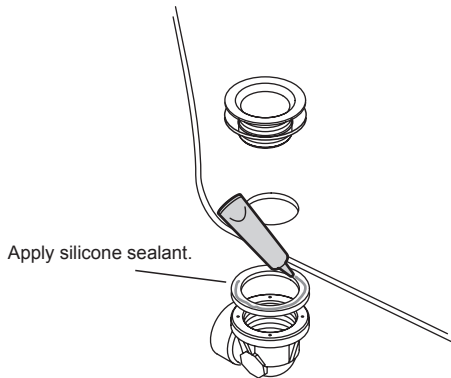
1. Overflow Body
2. Seal, Overflow Body
3. Overflow Mounting Plate
4. Overflow Cover
5. Set Screw
6. Screw
7. Connection Seal
8. Connection Gasket
9. 1-1/4 Nut
10. Overflow Flexible Pipe
11. Plug
12. Seal, Plug
13. Valve Assy.
14. Screen
15. Strainer
16. Strainer Gasket
17. Drain Body Gasket
18. Drain Body Flexible Pipe
19. Drain Body
20. Gasket
21. Plastic Cover



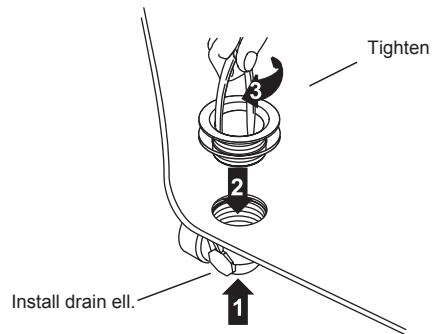
K-18355

# INSTALLATION

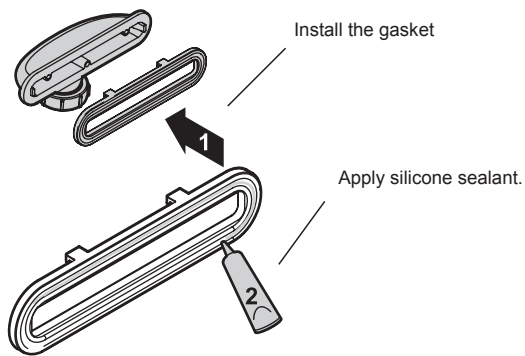
1.



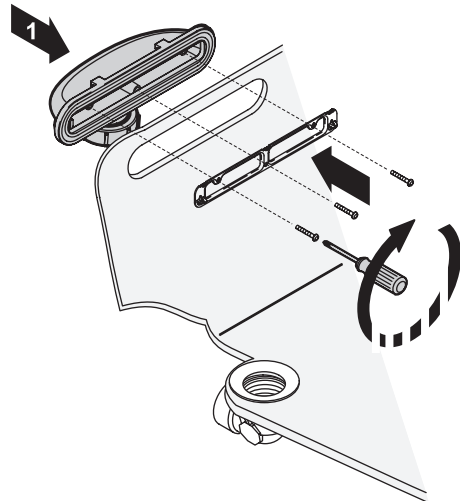
2.



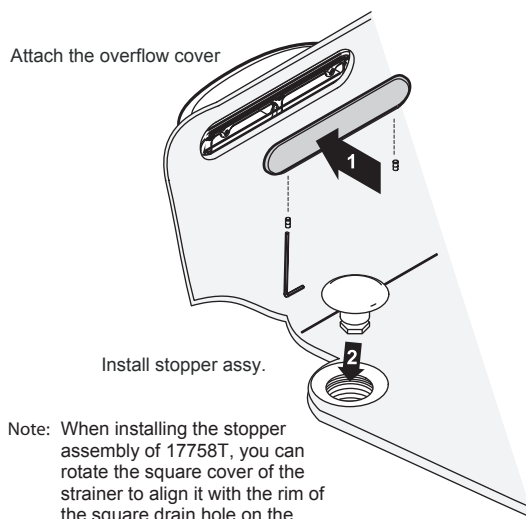
3.



4. Attach the overflow mounting plate.



5.



## CARE AND CLEANING

For best results, keep the following in mind when caring for your KOHLER product:

- Use a mild detergent such as liquid dishwashing soap and warm water for cleaning. Do not use abrasive cleaners that may scratch or dull the surface.
- Carefully read the cleaner product label to ensure the cleaner is safe for use on the material.
- Always test your cleaning solution on an inconspicuous area before applying to the entire surface.
- Do not allow cleaners to sit or soak on the surface.
- Wipe surfaces clean and rinse completely with water immediately after cleaner application. Rinse and dry any overspray that lands on nearby surfaces.
- Use a soft, dampened sponge or cloth. Never use an abrasive material such as a brush or scouring pad to clean surfaces.

