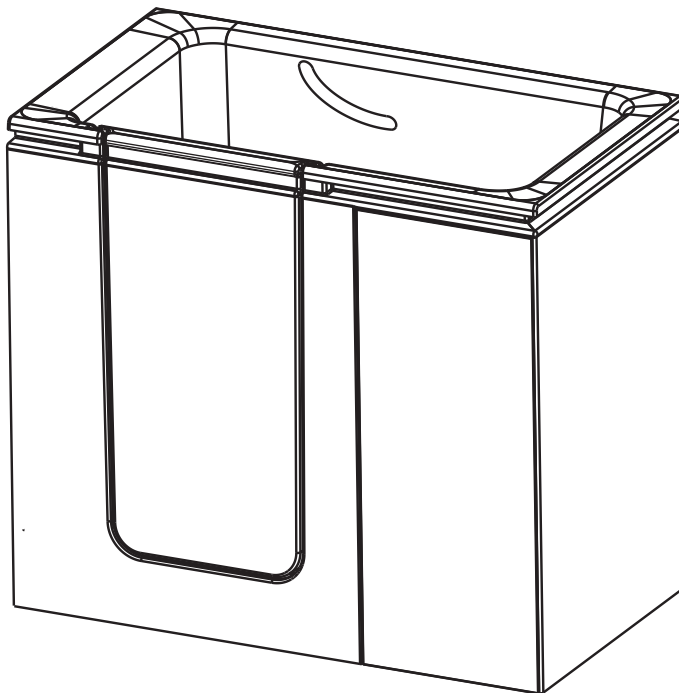


RIGHT-HAND CONFIGURATION



LEFT-HAND CONFIGURATION

1. BEFORE YOU BEGIN

IMPORTANT: Carefully unpack the bath and check for transit damage & general acceptability and report any faults immediately to your supplier.

Installers are responsible for damage that occurs during installation and no claims for damages will be accepted once the bath has been installed.

Before installing the bath, please read these instructions carefully to familiarize yourself with the required tools, materials, and installation sequences.

After completing the installation, please leave these instructions for the consumer for further reference and change of ownership.

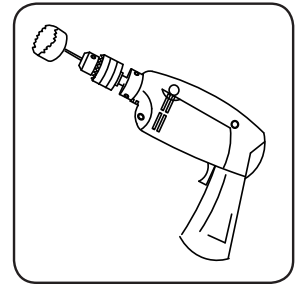
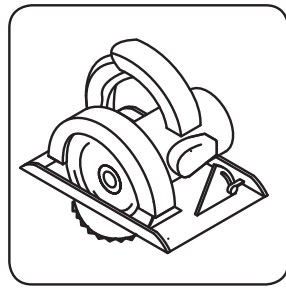
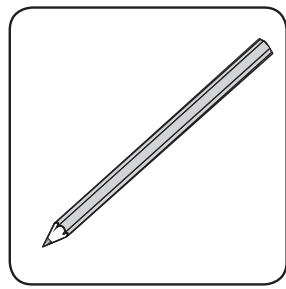
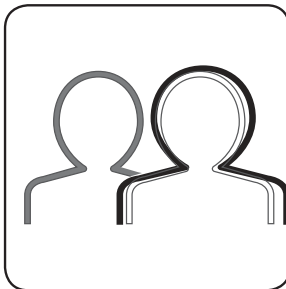
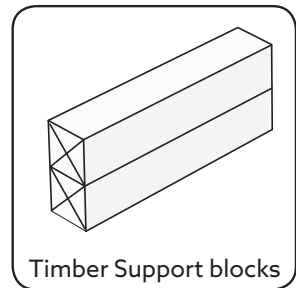
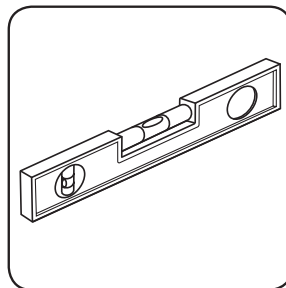
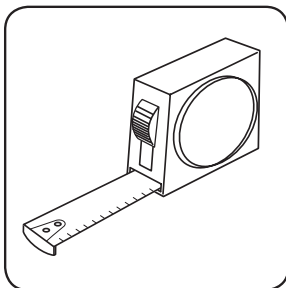
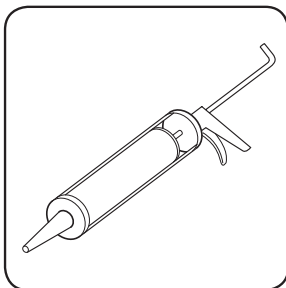
SAFETY:

1. Follow all warning, cautions and instructions contained in this installation instruction.
2. Ensure two people lift.
3. Wear protective footwear when lifting and shifting the bath.
4. Wear safety glasses when drilling.

ATTENTION:

1. Flow rate into the bath must not exceed 70L/m. Excessive flow rate may cause overflow and leak.
2. Drainage test is recommended to ensure the waste pipe work is adequate for the flow delivered.
3. The bath waste should be located to allow good access for maintenance or replacement with minimum disruption. Kohler NZ will not be liable for any costs associated with access restrictions and subsequent work.
4. All installations shall comply with the relevant requirements of AS/NZS3500 and local plumbing codes.

TOOLS AND MATERIALS REQUIRED:



2. BATH INSTALLATION

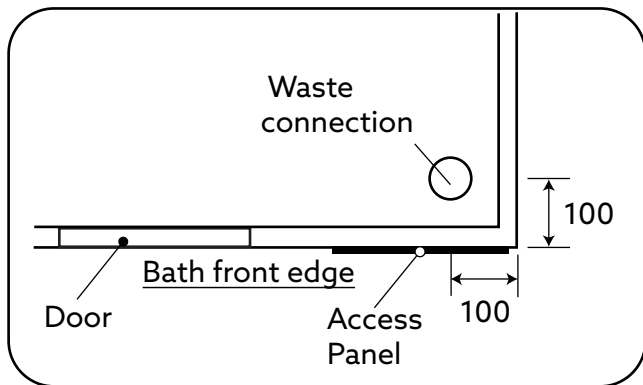
IMPORTANT

- Avoid lifting the bath by the fittings or drain. Only lift by the metal frame.
- To avoid damaging the adjustable feet, do not drag or slide the bath on the floor.
- To avoid damaging the bath during transportation, ensure that the adjustable feet are completely extended to elevate the bottom of the bath apron above the floor.

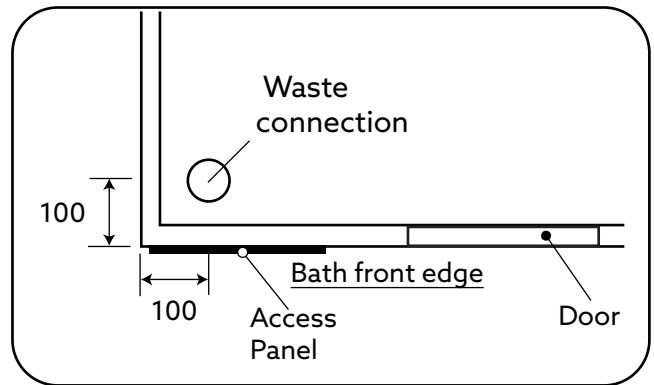
1). Determine the location of the waste connection for the bath.

It recommends that the waste connection is positioned 100mm away from both the front edge and the side edge of the bath. This would facilitate easy access for connecting the bath pipework tail end to the waste and for maintenance.

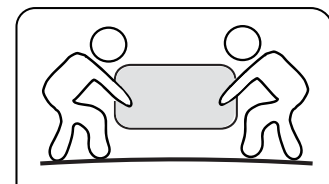
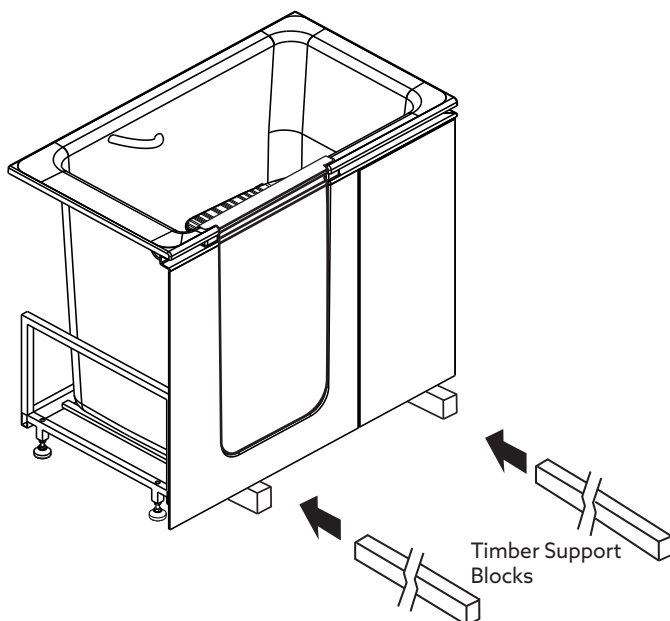
LEFT HAND



RIGHT HAND



2). Lift the bath and place it onto the timber support blocks. Install the waste system in accordance with the manufacturer instructions.



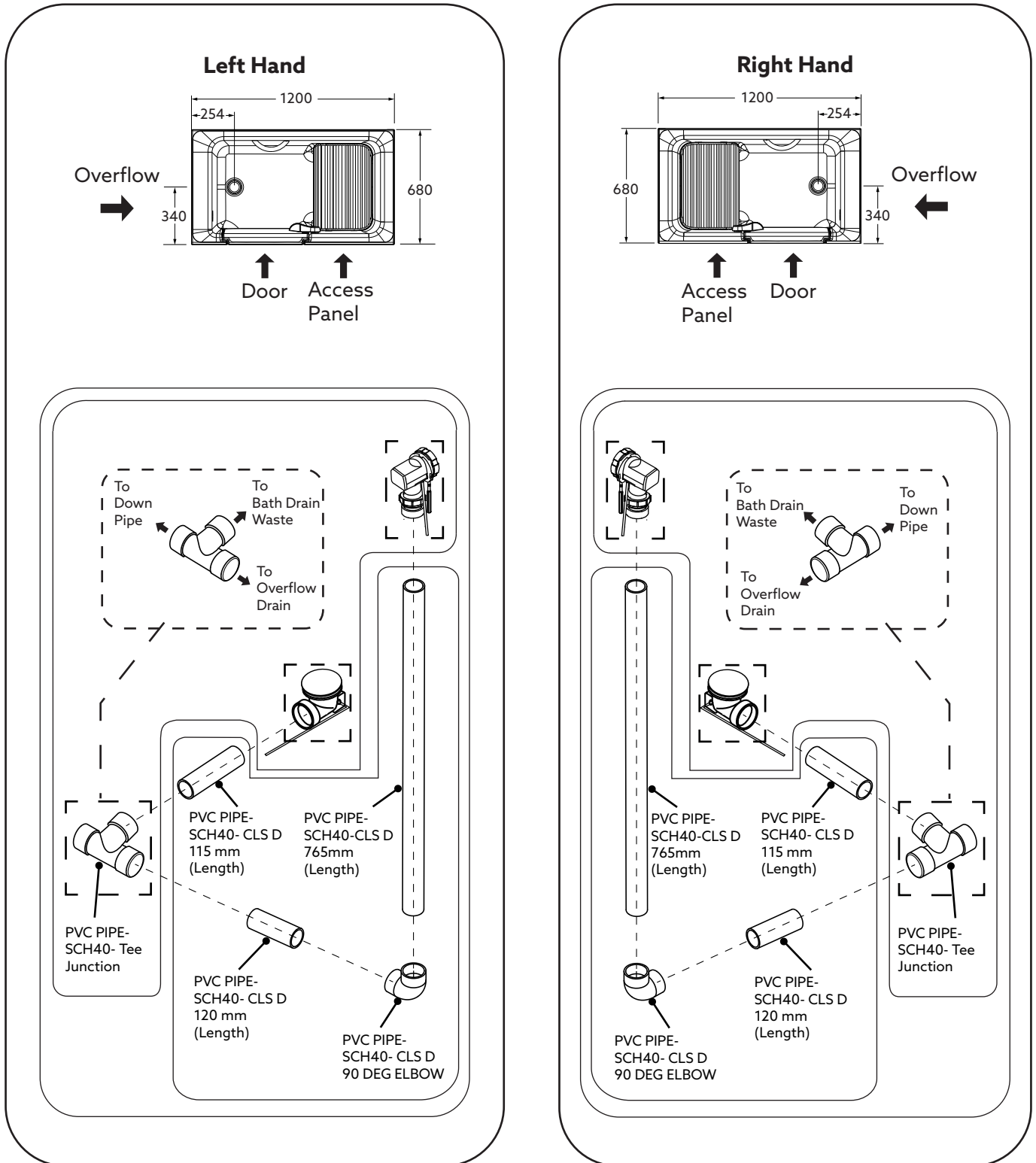
2 People Lifting

2. BATH INSTALLATION - CONTINUED

3). Bath drain waste and pipework installation.

Lift the bath and place timber support blocks underneath it. Install the Pop-up drain waste with overflow and pipework fitting as supplied.

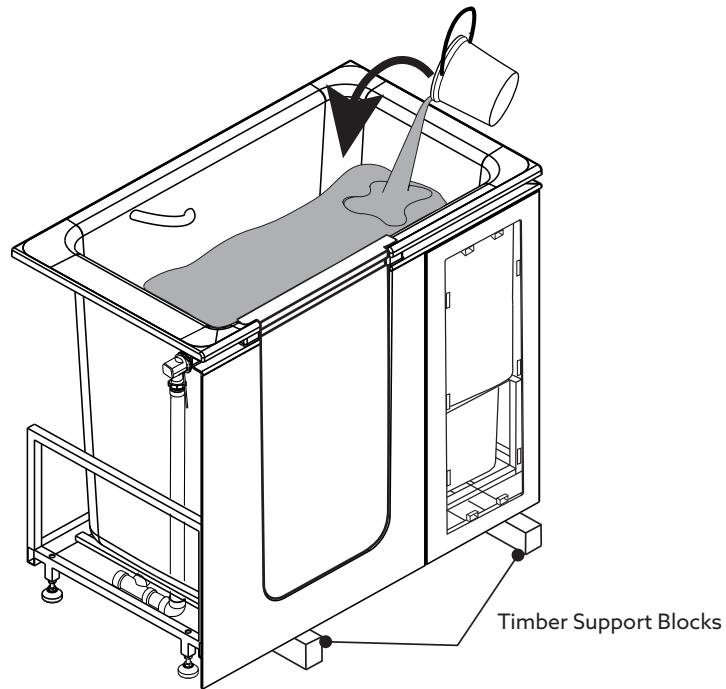
Note: Kohler product warranty only applies to the fittings supplied with the bath.



2. BATH INSTALLATION - CONTINUED

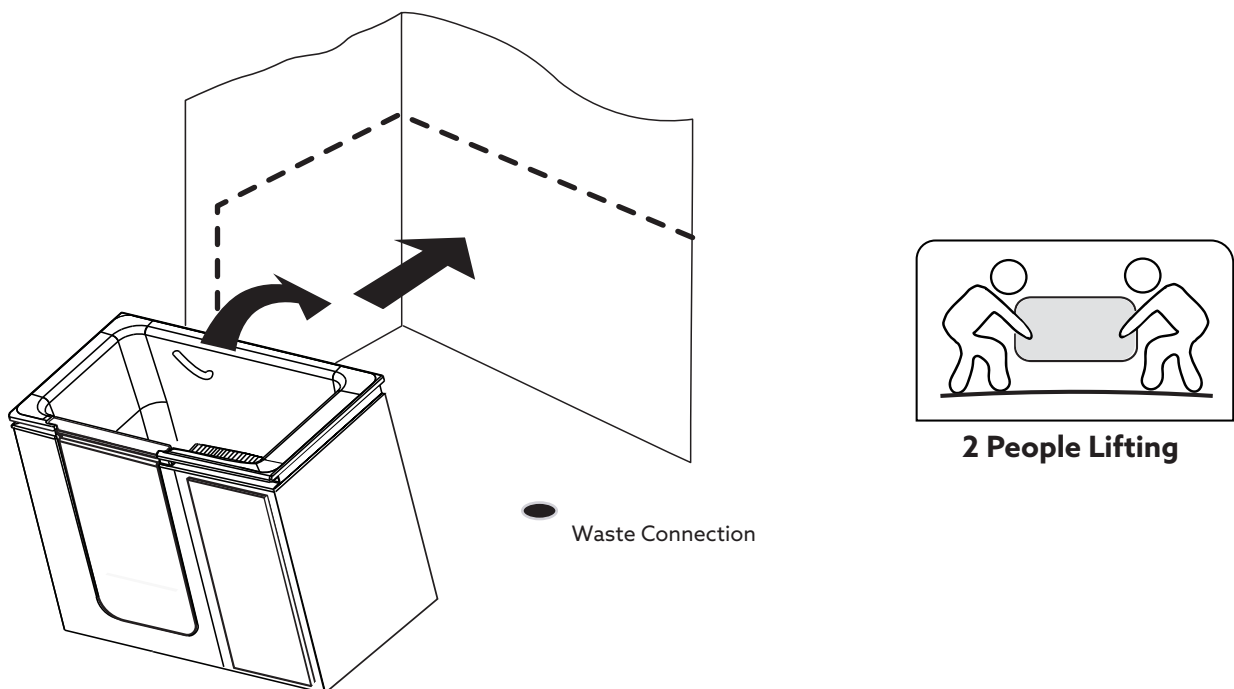
- 4). Close off the bath drain waste & fill the bath with water & allow the water to stand for at least 30 minutes. Check for any leaks and address waste and pipe connections as required.

Drain the bath & remove the timber support blocks after inspection.



- 5). Align & connect the bath waste drain hose tails to the waste connection.

Carefully lift up the bath and push it against the wall.

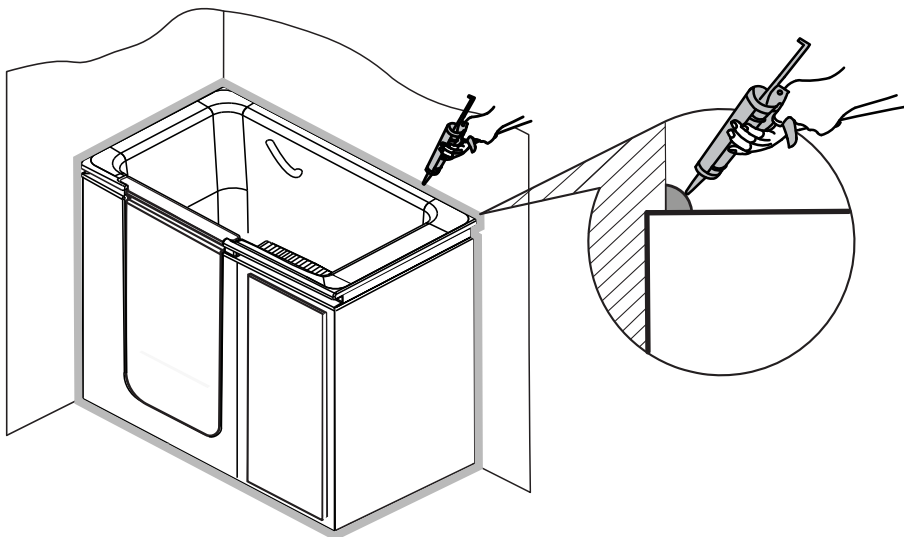
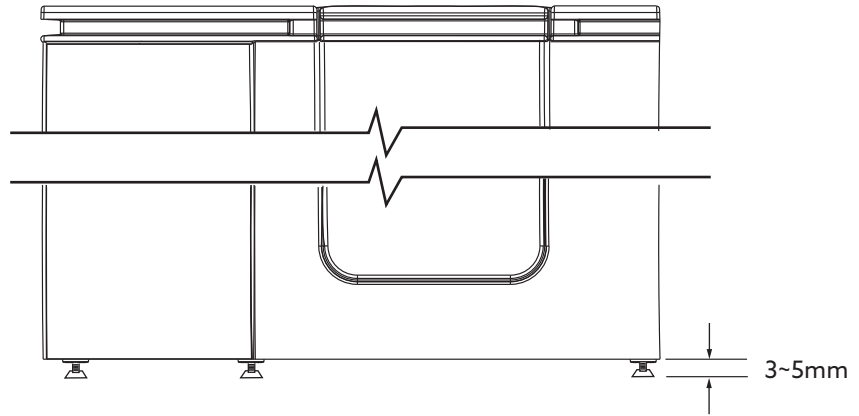
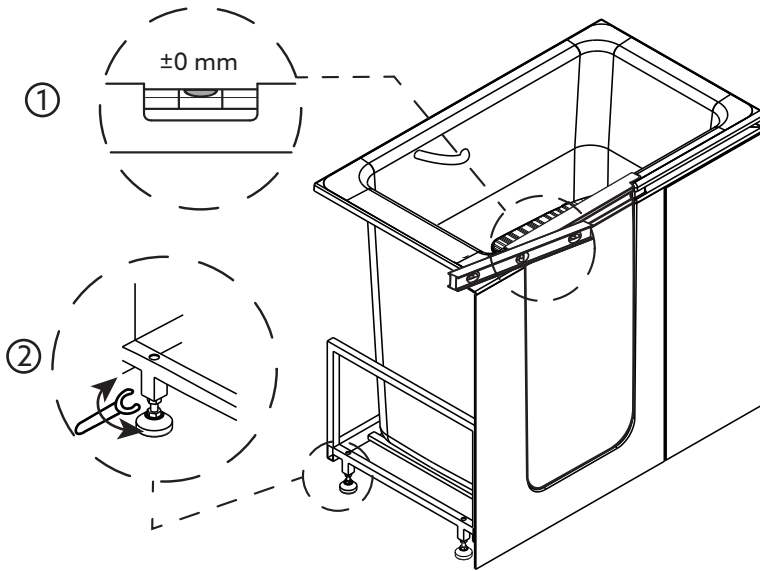


2. BATH INSTALLATION - CONTINUED

6). Level the bath by adjusting 4 feet and ensure the bath is 3 to 5 mm above the bath skirt.

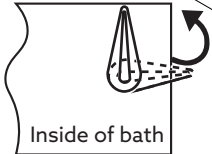
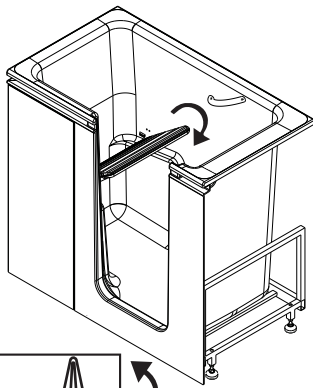
Secure the adjustable feet by tightening the corresponding nuts.

Apply silicone sealant to all joints in between bathtub and finished wall and floor.

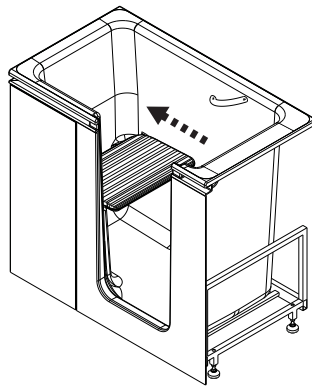


3. OPERATION & MAINTENANCE

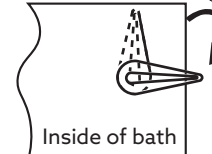
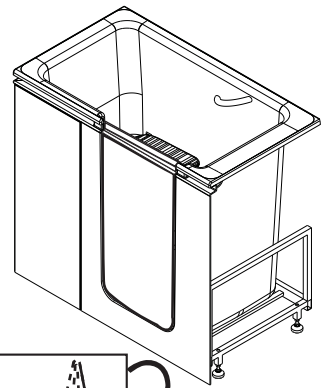
Entering the Bathtub (Right hand as shown):



Step 1: Rotate the latch upwards to open the door. After entering the bath, rotate the seat downwards into the horizontal position.

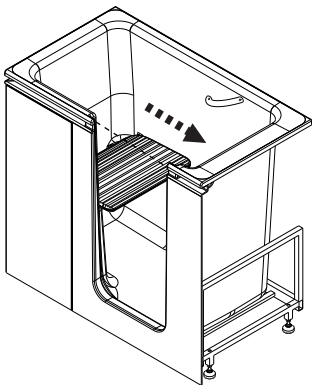


Step 2: Push the seat towards the rear of the bath to lock in place.

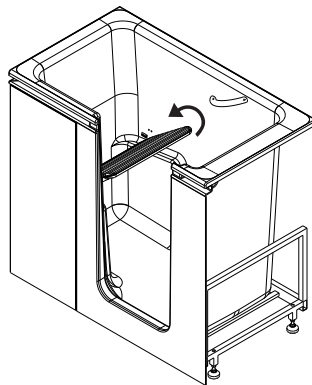


Step 3: Rotate the latch downwards to lock the door.

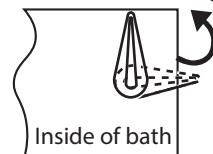
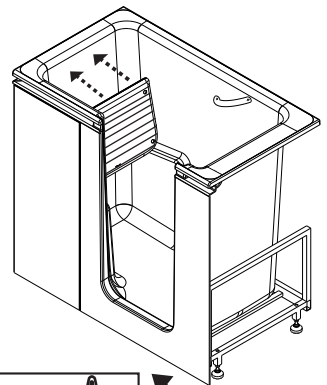
Exiting the Bathtub - (Right hand as shown):



Step 1: Pull the seat forward by at least 2.5cm.



Step 2: Lift the front of the seat & rotate it to lean against the rear of the bath.

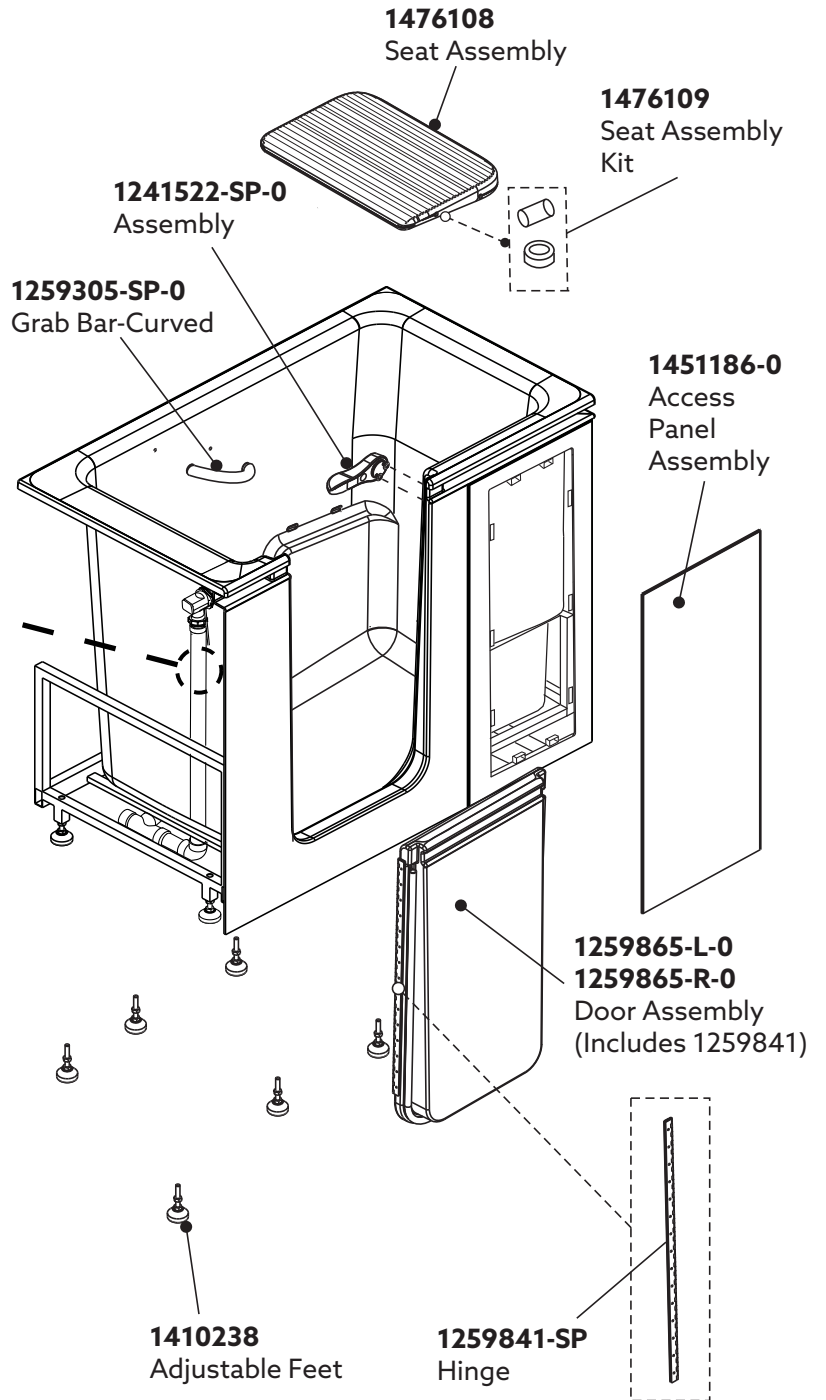
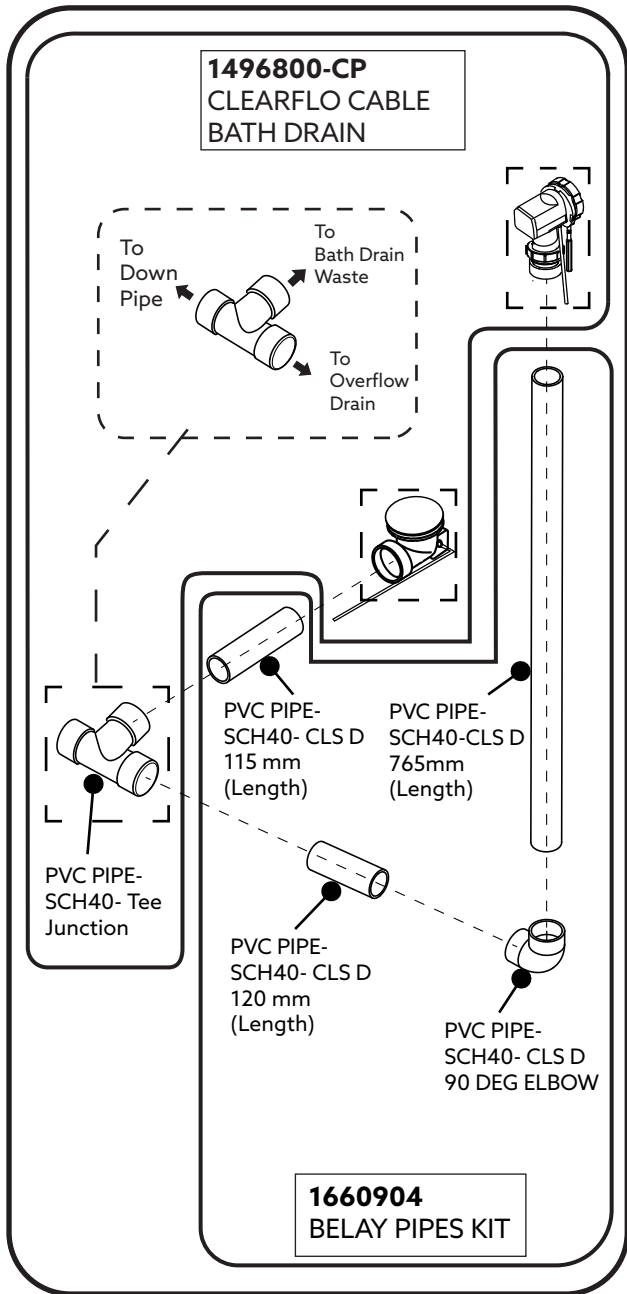


Step 3: Rotate the latch upwards to exit.

CLEANING & CARE

- Use only a mild detergent such as liquid dish washing soap and warm water to clean the bath.
- Read the label of cleaning products carefully to ensure the cleaner is safe for use with acrylic material.
- Do not allow cleaners to sit or soak in the surface of the bath.
- Wipe surfaces and rinse completely with clean water after the cleaner is applied.
- Use a soft dampened cloth or sponge. Never use an abrasive material such as a scouring pad to clean bath surfaces.

4. SPARE PARTS



CONTACT AND WARRANTY INFORMATION

NEW ZEALAND
Kohler New Zealand
Ph: 0800 564 537
kohler.co.nz

AUSTRALIA
kohler.com.au

For warranty information, please visit our website.

KOHLER