

Features:

- Innovative door-opening design.
- Ultra-low step in accessibility.
- Advanced door sealing technology.
- Extra wide entry door.
- Easy to grip handrails.
- Fast-drain overflow waste.
- 1200mm (L) x 680mm (W) x 1063mm (H).
- Gel Coat surface - Offers enhanced slip resistance & a smooth, durable finish.

Water Depth (To Overflow)	795mm
Water Capacity (To Overflow)	360L
Waste Flow Rate	70 L/min
Internal dimensions at base	903mm x 495mm
Internal dimensions at top	996mm x 551mm
Net Weight	91 kg

Material:

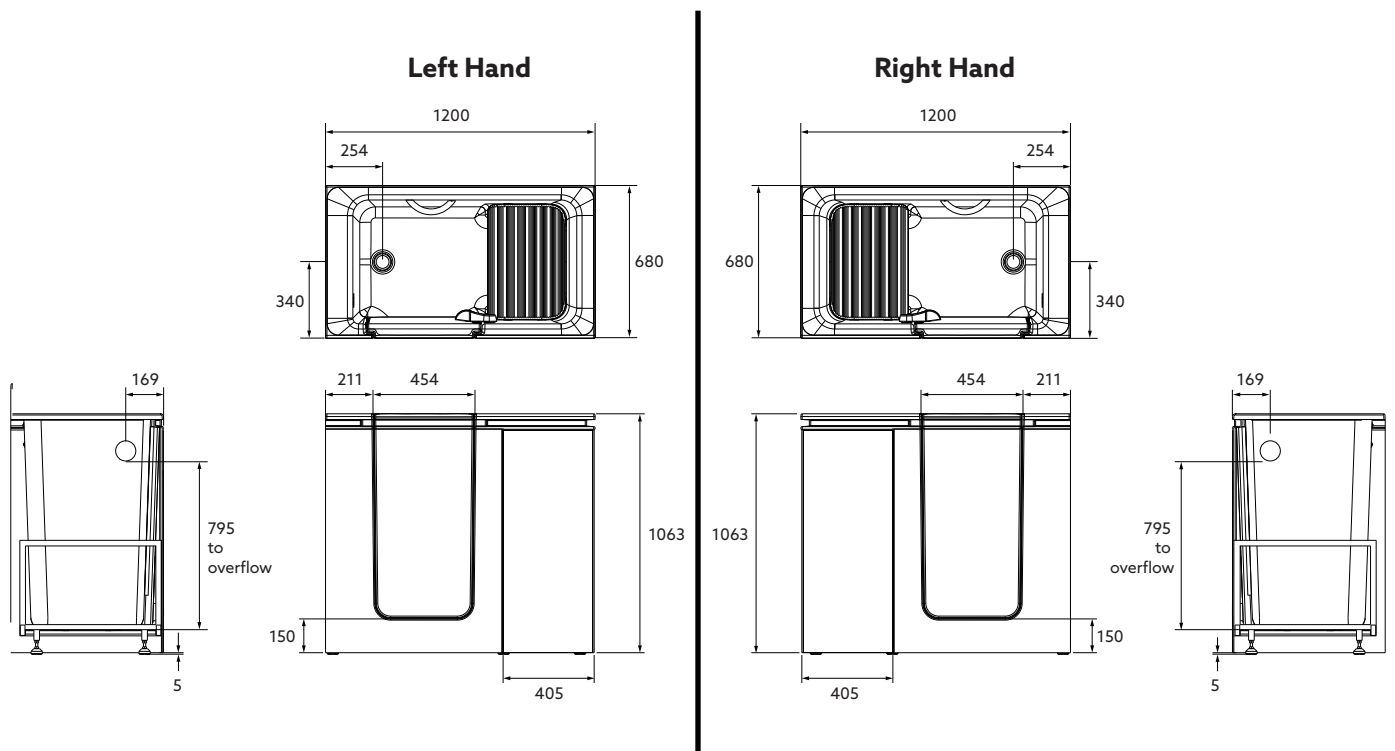
- Gel Coat finish reinforced with fibreglass.

Included Components:

- Pop-up waste with overflow and pipework fitting.

Note:

The size of the overflow drain waste pipe is 1-1/4" SCH40 PVC.



All dimensions are in millimetres.