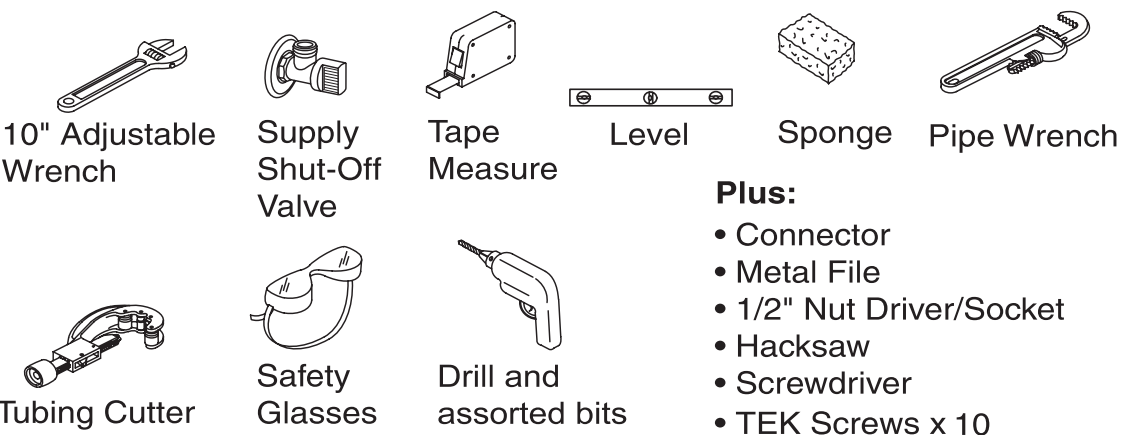


Thank You For Choosing Kohler Company

We appreciate your commitment to Kohler quality. Please take a few minutes to review this manual before you start installation. If you encounter any installation or performance problems, please don't hesitate to contact us. Our phone numbers are listed on the back cover. Thanks again for choosing Kohler Company.

Tools and Materials



Before You Begin

Read the installation guide carefully and install the product accordingly. The product information contained in this publication is correct at the time of printing. Kohler Co. reserves the right to implement changes or product characteristics, packaging and availability at any time without further notice. Do not use corrosive cleaners or solvents in or on the tank. This may damage the tank. Do not use any spare parts which are not supplied by Kohler. Kohler will not be responsible for any damage due to the installation of non approved spare parts.

Warning

This product is designed for a water supply pressure range of 20 psi (137kPa) minimum to 80psi (550 kPa) maximum. Any installations where the supply pressure is outside of these limits will not be covered by warranty.

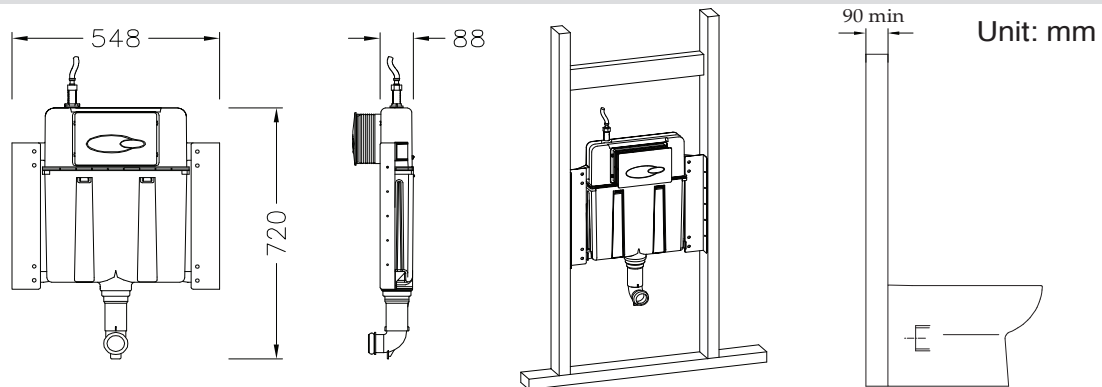
Features

- Anti back flow device.
- Adjustable water inlet level.
- Adjustable flush volume.
- Dual flush.
- Adjustable toilet fixing height.

Advantages of In Wall Cistern

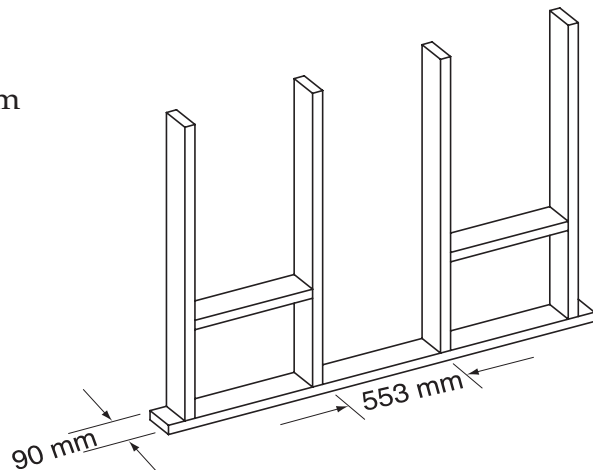
- Corrosion resistant and leak proof design.
- Dual 3/4.5 flush.
- Easy maintenance.
- Space saving.
- Easy installation for stud.

Rough-in



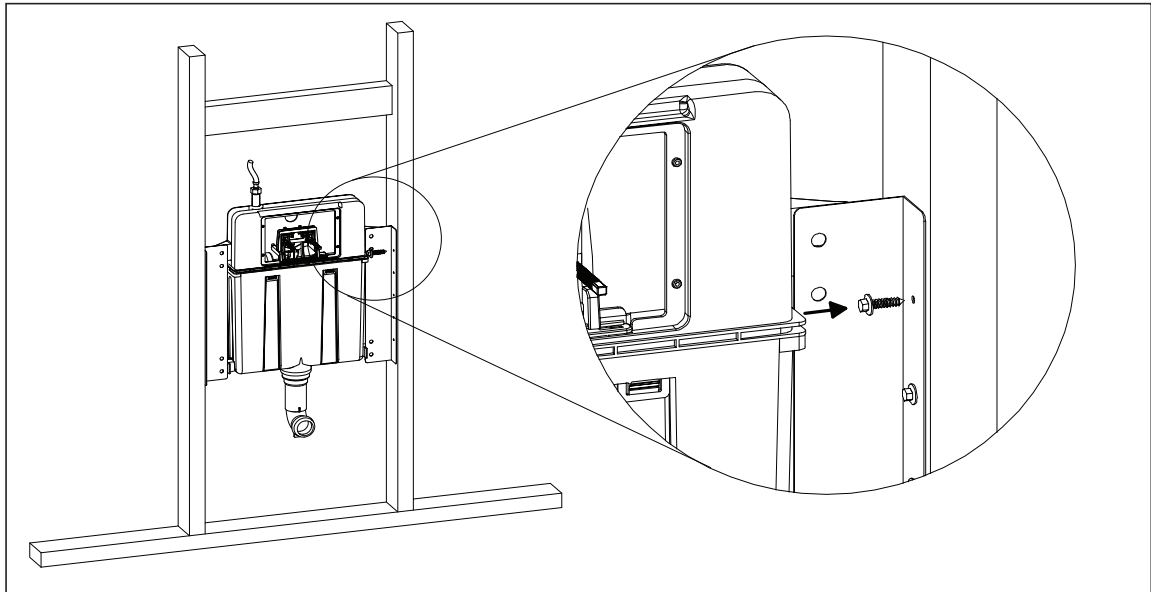
Installation procedures for an In wall cistern in a stud wall

1. Minimum cavity (stud pocket) dimensions for installation of the in-wall cistern, 553mm wide, 90mm deep.

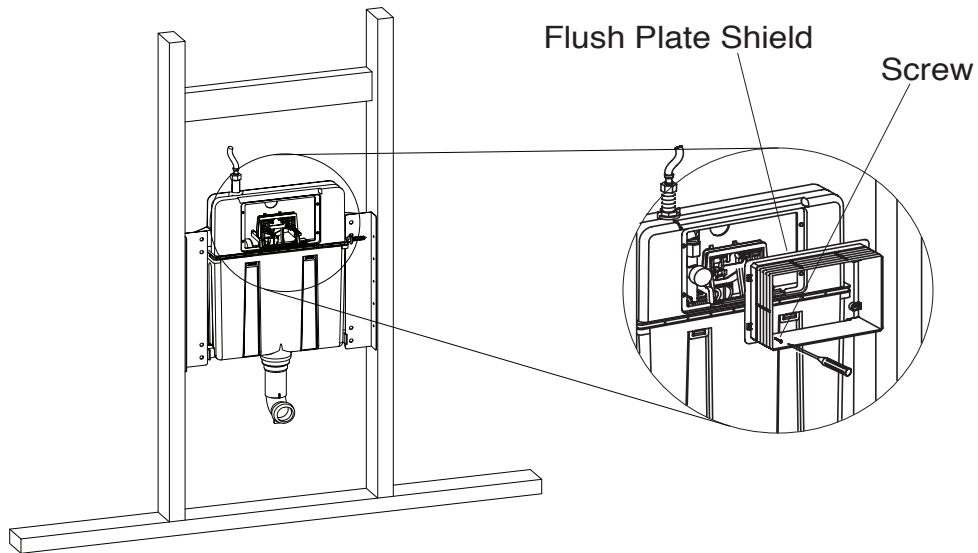


2. For the distance from the finished floor level to the centre of the water inlet, please refer to the toilet manufacturers installation instruction.

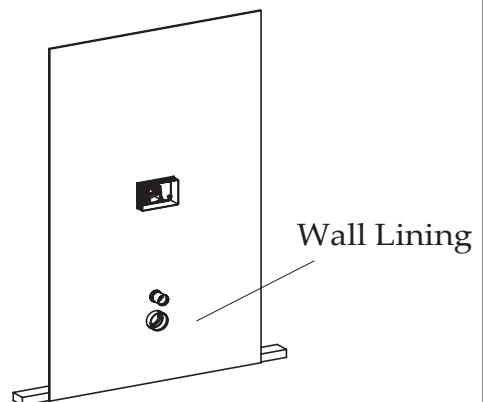
Fit the in wall tank to the stud's using the tek screws ensuring the centre of the water inlet is at the correct distance above the finished floor level.



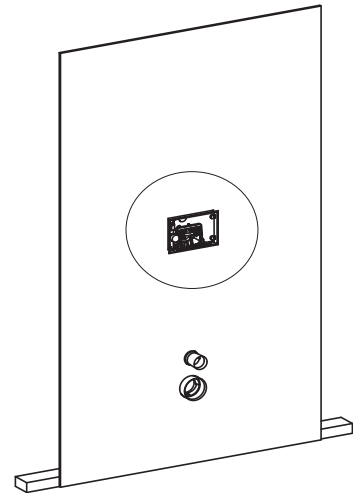
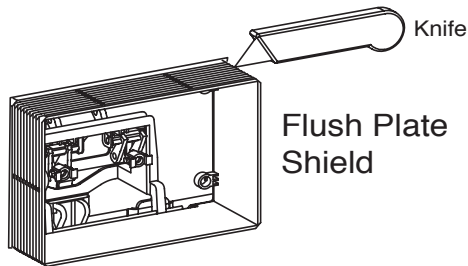
3. Screw the flush plate shield into position.



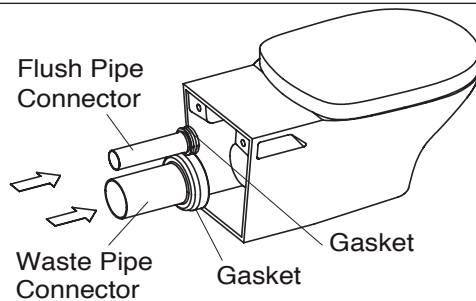
4. We recommend before cutting the wall lining, the toilet is fitted to the frame to verify that the pan height to the finished floor level is correct. Cut the wall lining to suit the position of the flush plate, waste pipe, flush pipe and toilet fixing holes. Fit the wall lining to the stud.



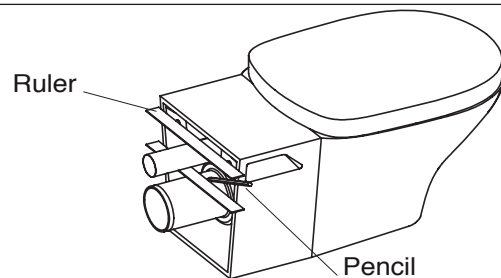
5. Using a sharp knife, trim the flush plate shield back level with the finished wall. If the finished wall is to be tiled please ensure the thickness of the tile is included. The trimmed flush plate shield must sit flush with the finished wall.



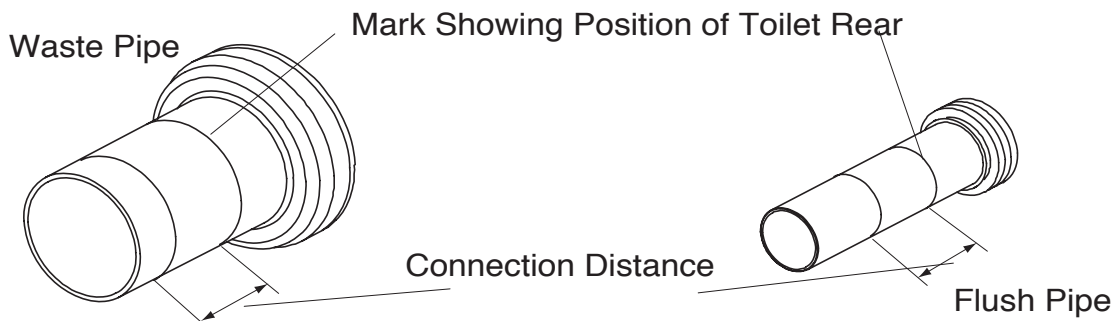
6. Fit flush pipe connectors and gasket to the flush pipe inlet on the toilet. Fit the waste pipe connector and gasket to the waste pipe outlet on the toilet.



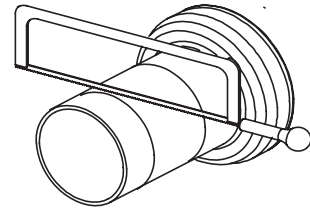
7. Mark on the pipe connectors the position of the rear of the toilet. Remove the pipe connectors.



8. Mark on the pipe connectors a second line, which represents the connection distance required to connect the toilet to the flush and waste pipes within the wall. This connection distance is the distance between the rear of the tank and the hole in the wall lining.

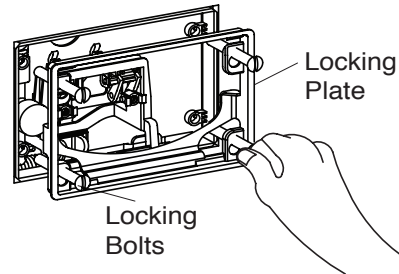


9. Cut both the waste pipe and flush pipe at the connection distance marks. Remove all burrs from the cut edges and reinstall on the toilet.

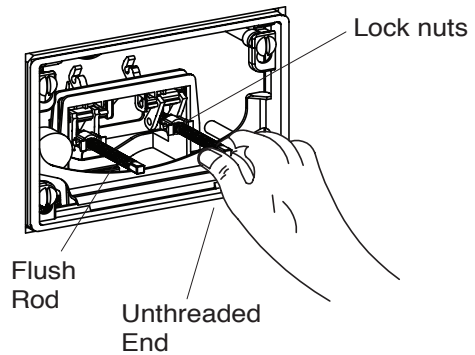


Flush Plate installation

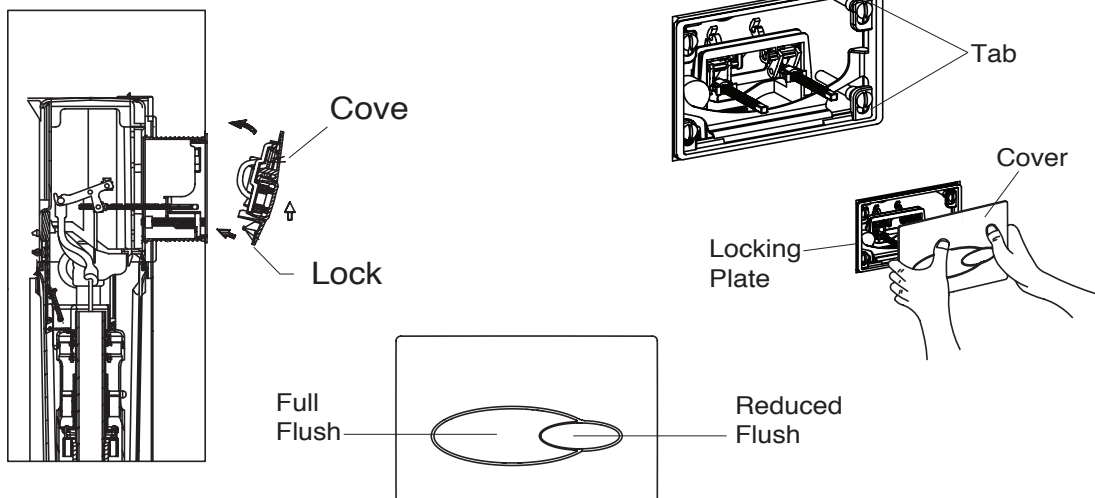
10. Fix the locking plate to the flush plate shield using the plastic locking bolts. To lock the bolts in position turn the bolt until the tab on the bolt head is vertical. Trim the length of the locking bolts if required.



11. Screw the flush rods into the flush actuator until the unthreaded end of the rod is flush with the locking plate. Ensure the flush rod is secured through the square holes at the rear of the flush actuator. Test the flush action to ensure it is moving smoothly. Adjust the flush rod as required and then tighten the lock nuts to prevent adjustment over time.

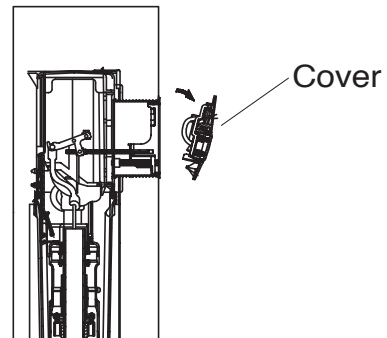


12. With the cover positioned as shown, with the large button on the left hand side. Place the tabs of the cover on the bottom edge of the locking plate and push the cover into the position. Ensure the flush button operates smoothly.

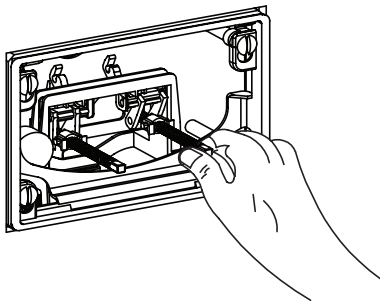


Removal and Maintenance of Outlet Valve

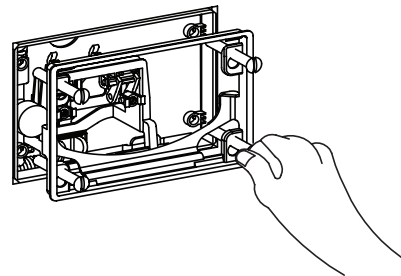
1. Hold the cover with both hands and push upward. Rotate the top of the cover away from the wall to release.



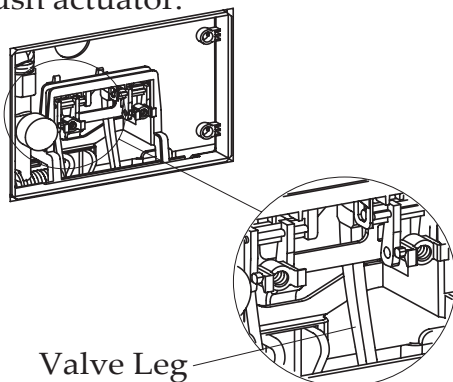
2. Unscrew the flush rods.



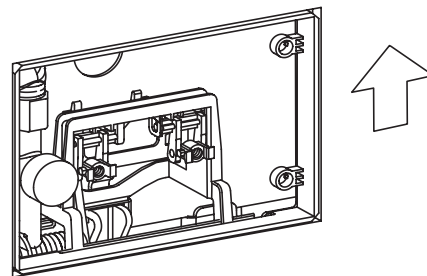
3. Turn the lock bolt to the OPEN position and remove the locking plate.



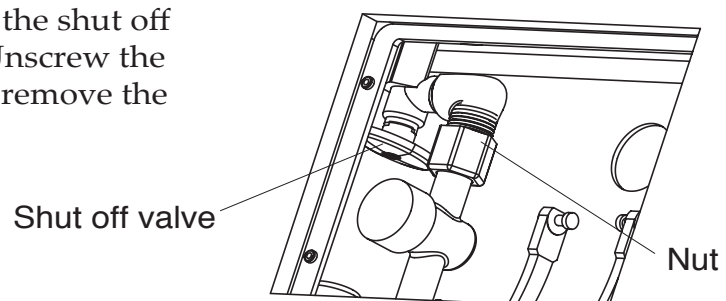
4. Unhook the 2 valve legs from the flush actuator.



5. Lift the flush actuator upward to release it from the tank and remove.

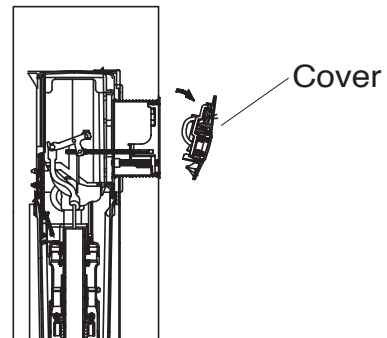


6. Turn the water off at the shut off valve inside the tank. Unscrew the fill valve fixing nut and remove the fill valve.

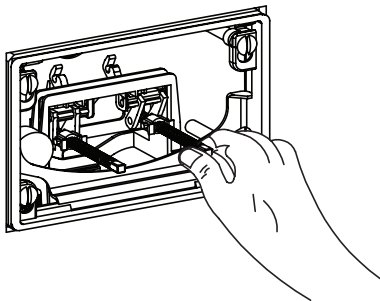


Removal and Maintenance of Outlet Valve

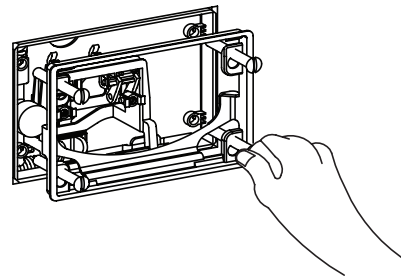
1. Hold the cover with both hands and push upward. Rotate the top of the cover away from the wall to release.



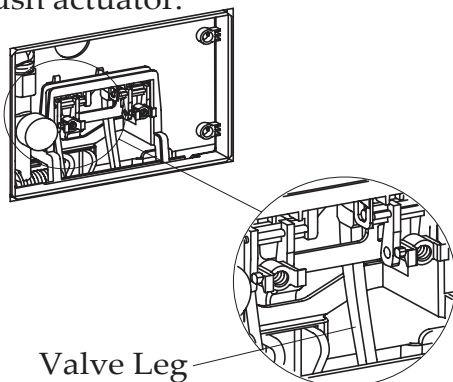
2. Unscrew the flush rods.



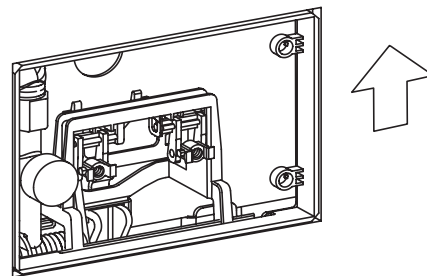
3. Turn the lock bolt to the OPEN position and remove the locking plate.



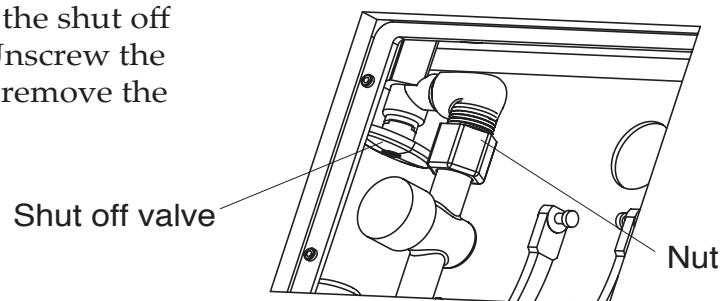
4. Unhook the 2 valve legs from the flush actuator.



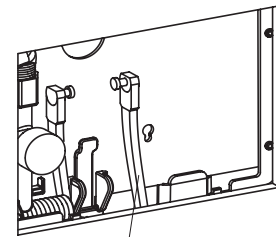
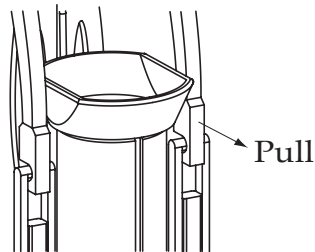
5. Lift the flush actuator upward to release it from the tank and remove.



6. Turn the water off at the shut off valve inside the tank. Unscrew the fill valve fixing nut and remove the fill valve.

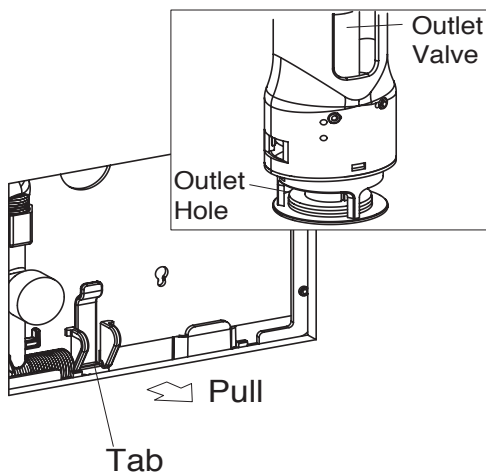


7. Note the orientation of the flush valve legs. Remove the legs from the flush valve by unhooking the base of the leg from the flush valve.

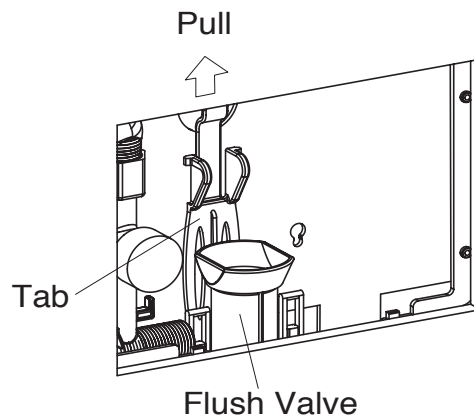


Flush Valve Leg

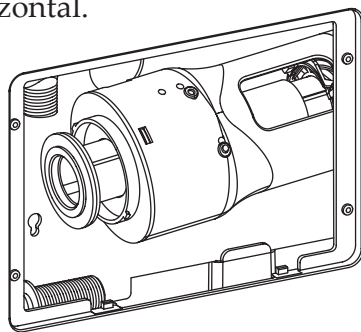
8. To release tab securing the flush valve by pulling it towards you. Rotate the flush valve anti clockwise to release it from the base.



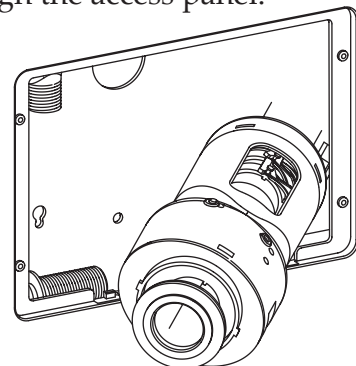
9. Lift the flush valve assembly including the securing tab up until the valve and tab can be held. Separate the tab from the flush valve by pulling it upwards. Remove the tab from the tank.



10. Lift and rotate the flush valve until it is horizontal.



11. Rotate the base of the flush valve out through the access panel.



12. To replace the flush valve, follow this instruction in reverse order.

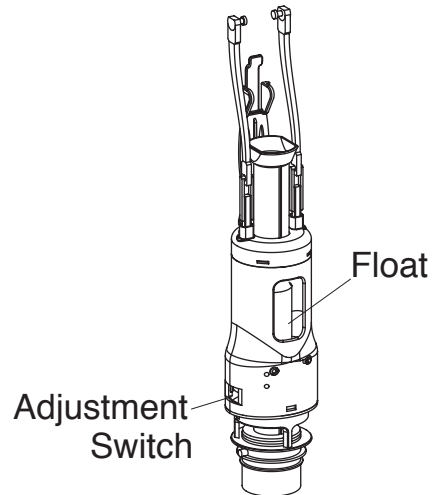
Flush valve adjustment

Full Flush:

Adjust the position of the switch on the valve side to vary the full flush volume.

Reduced Flush:

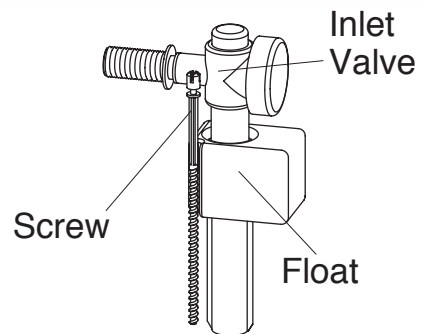
adjust the position of the float to vary the reduced flush valve.



Inlet valve adjustment

Turn the screw anti clockwise to reduce the water level.

Turn the screw clockwise to increase the water level.



Trouble Shooting Procedures

Symptoms	Probable Causes	Recommended Action
Tank not filling	The shut off valve is closed	Open the shut off valve
	The inlet valve float is stuck	Adjust the inlet valve to an appropriate position
	The inlet valve is filter is blocked by debris	Remove the inlet valve and wash out the filter
Flush not operating	The flush rods require adjusting	Adjust the flush rods
	Flush valve legs are disconnected	Ensure the flush valve legs are installed in the correct orientation and connected correctly
Water level too high or low	Float level of the inlet valve requires adjusting	Adjust the inlet valve float level
Tank does not stop filling	The inlet valve float is stuck	Adjust the inlet valve to an appropriate position
	The outlet valve is not sealing correctly	Uninstall the outlet valve, check the seal, replace if worn. Remove any debris and reinstall.