

880A 40MM RECESSED SHOWER ONLY VALVE
882A 40MM RECESSED BATH/SHOWER VALVE

BEFORE YOU BEGIN

All information is based on the latest product information available at the time of publication. Kohler Co. reserves the right to make changes in product characteristics, packaging, or availability at any time without notice.

Please leave these instructions for the consumer. They contain important information.

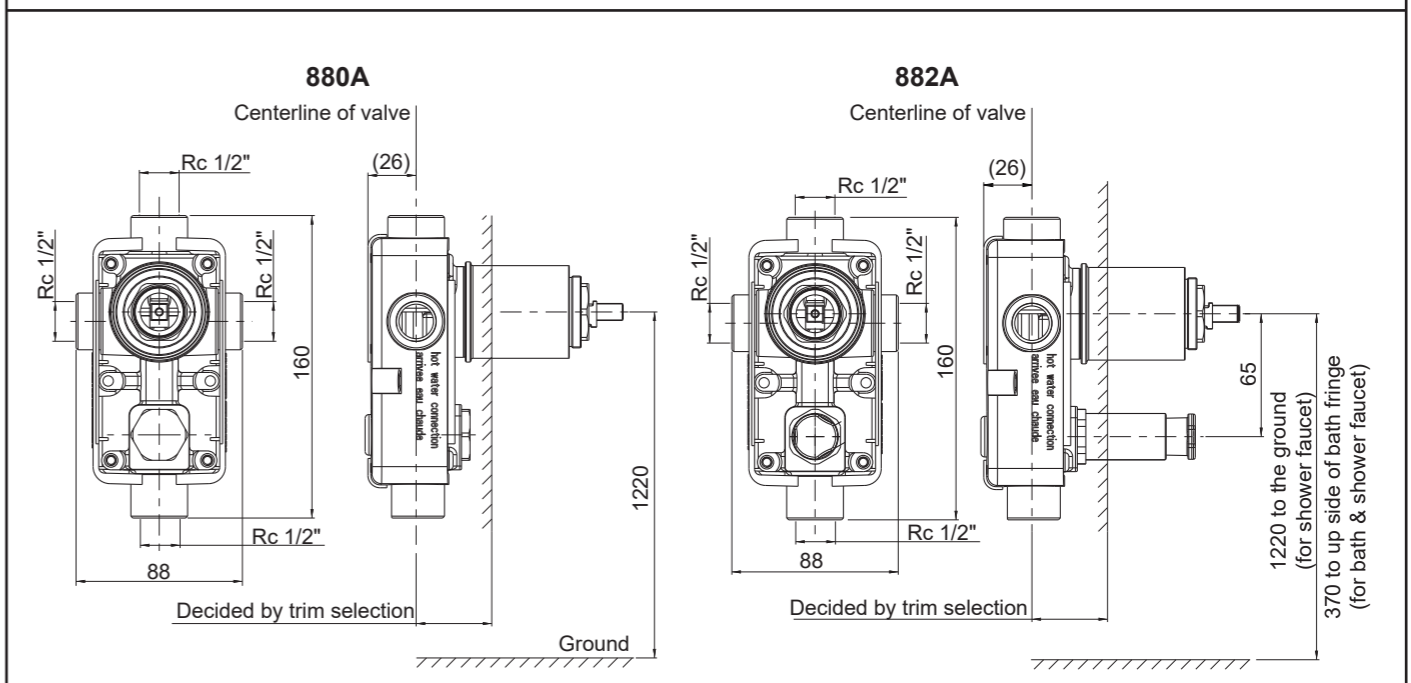
NOTES:

1. The dimension from the finished wall to the centerline of the valve decided by the trim selection.
2. Flush the water supply pipes thoroughly to remove debris.
3. Observe all local plumbing and building codes.
4. Shut off the main water supply.
5. Do not remove the plaster guard from the valve body until instructed to.
6. Check for leaks before covering the pipes, repairs as needed.
7. Inlet & outlet threads of valve are Rc1/2".
8. Maximum working pressure: 800Kpa.
9. All installations should comply with the relevant requirements of AS/NZS 3500.
10. Please ensure only apply water pressure test on the product, and empty the air in pipe and faucet thoroughly before the test. Please ensure test pressure below 0.8MPa (8 bar) and test duration within 30 minutes.

HANDLE OPERATION

For 882A, lift diverter, turn clockwise until it stops for shower, turn counter-clockwise until it stops for bath spout.

ROUGH-IN DIMENSIONS



INSTALLATION

Determine where the valve body(1) will be located on the wall. Be sure the arrow mark on the valve body is facing upward, the mark "hot water connection" is on the left.

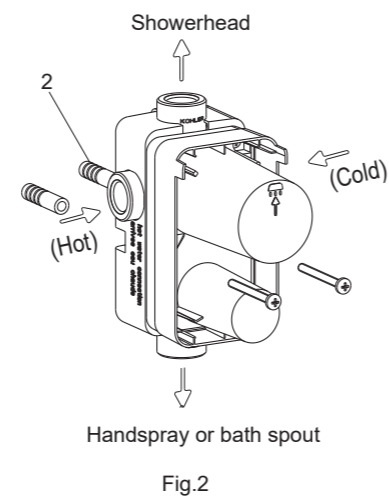
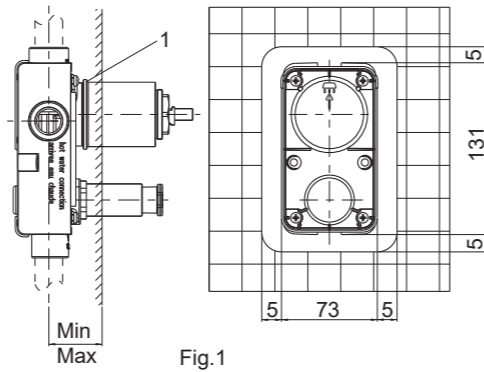
As Fig.1 shown. The Min. and Max. dimensions between the centerline of the valve and the outside of the finished wall are decided by trim selection. The size of finished wall hole extends from the size of body should be less than 5mm.

Note: Ensure the centerline of valve is perpendicular to the wall, the up plane of guard is level.

Connect Rc1/2" hot and cold supplies, showerhead and bath pipings to valve body as Fig.2 shown. Connect hot supply to the end on the left. For 880, do not connect the bath spout pipe. Supply enough tape or sealant.

Install temporary nipples for showerhead and bath spout. During installation, keep valve guard on valve body.

If the pipings are not strong enough to support the valve, cut off the spacers(2) as needed and secure the valve body on the wall or frame.



CLEANING INSTRUCTIONS

All Finishes: Clean the finish with mild soap and warm water. Wipe entire surface completely dry with clean soft cloth. Many cleaners may contain chemicals, such as ammonia, chlorine, toilet cleaner etc. which could adversely affect the finish and are not recommended for cleaning.

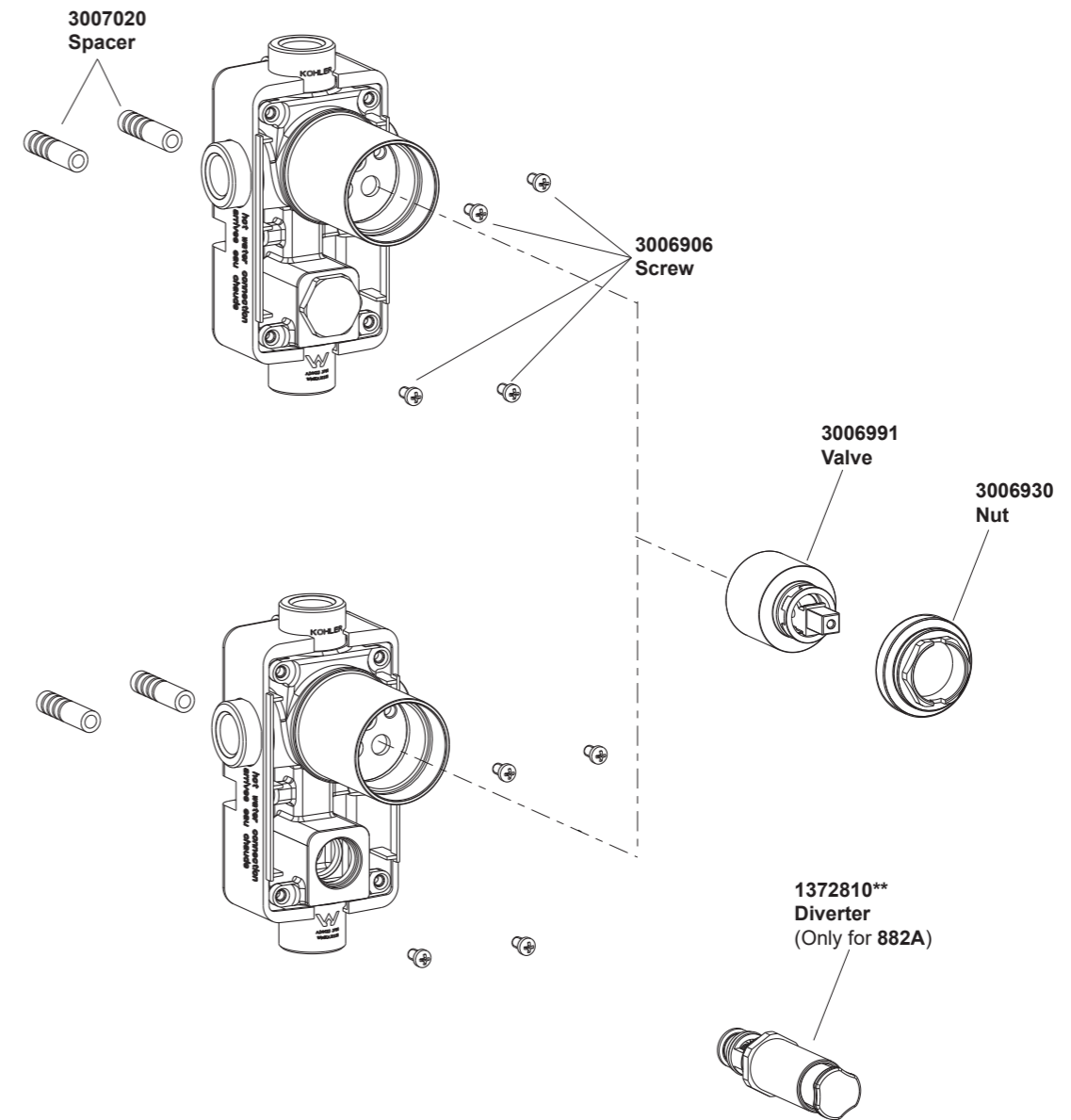
Do not use abrasive cleaners or solvents on Kohler faucets and fittings.

KOHLER®

SERVICE PARTS

40mm Recessed Bath/Shower Valve

- 880A 40MM RECESSED SHOWER ONLY VALVE
- 882A 40MM RECESSED BATH/SHOWER VALVE



**Color code must be specified when ordering