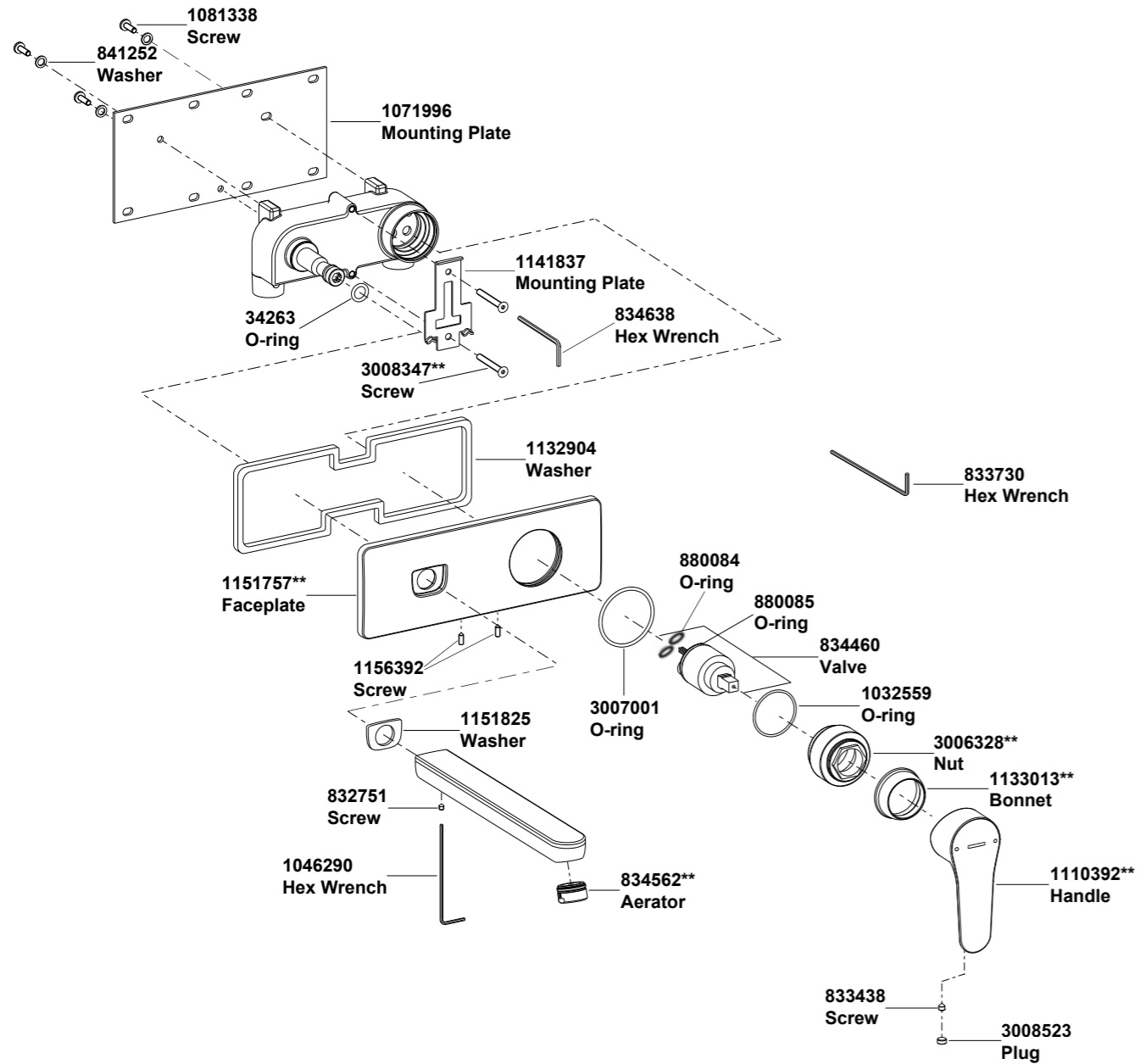


July Wall-Mount Bath Mixer: 8126A-4



**Color code must be specified when ordering

July Wall-Mount Bath Mixer: 8126A-4

BEFORE YOU BEGIN

All information is based on the latest product information available at the time of publication. Kohler Co. reserves the right to make changes in product characteristics, packaging, or availability at any time without notice.

Please leave these instructions for the consumer. They contain important information.

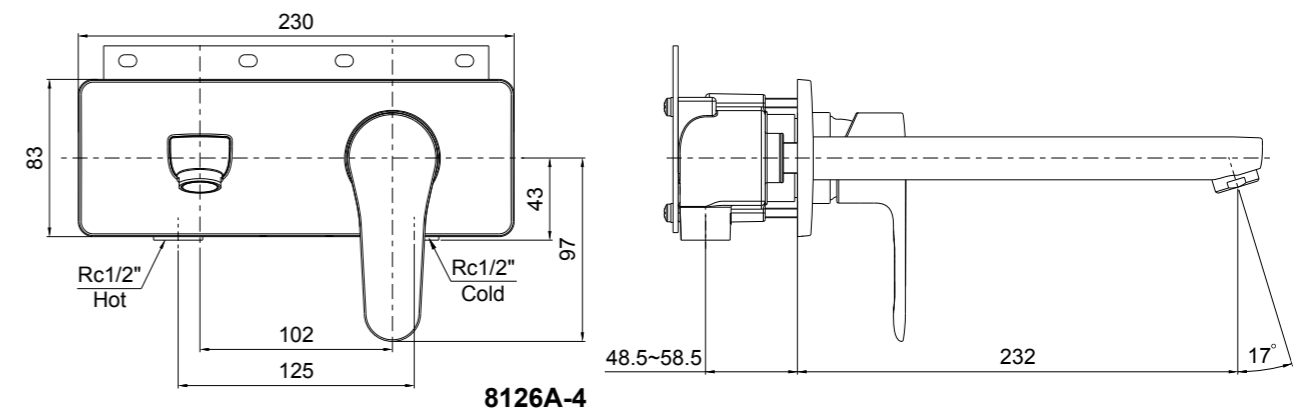
NOTES:

1. Flush the water supply pipes thoroughly to remove debris.
2. An in line water filter must be used with this product.
3. Inspect the supply tubing for damage. Replace as necessary.
4. Observe local plumbing codes.
5. Check for leaks before covering the pipes, repair as needed.
6. Recommended working pressure: 1 to 5 bars.
7. Maximum working pressure: 8 bars.
8. All installations should comply with the relevant requirements of AS/NZS 3500.
9. Inlet threads of body are Rc1/2".

HANDLE OPERATION

Lift the handle gently, turn left for hot water, right for cold water.

ROUGH-IN DIMENSIONS



INSTALLATION

How To Install The Valve Body

Construct a suitable wall frame for the mounting plate(1). Make sure that the frame is level and correct.

Fix the mounting plate to the valve body(2) with the washers(3) and the three fixing screws(4). Be sure the protectors(5, 6) face front and inlet of the valve body with red mark is on the left.

The outer surface of the finished wall should be between the MAX and MIN marks on the protectors(6) as Fig.2 shown. The size of the opening in the finished wall is as shown in Fig.2.

Fix the mounting plate and valve body to the wall frame.

NOTE: Ensure the centerline of valve is perpendicular to the wall. Make sure that the valve body is straight and level. Make sure that the frame is level and correct.

Connect Rc1/2" hot and cold supplies to the body as Fig.1 shown. Connect hot supply to the left inlet with the red mark.

During installation, the protectors remain on the valve body.

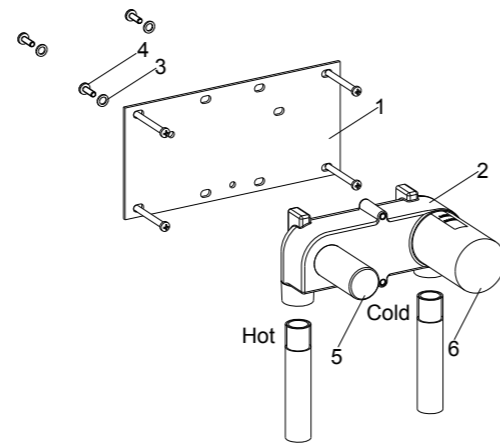


Fig.1

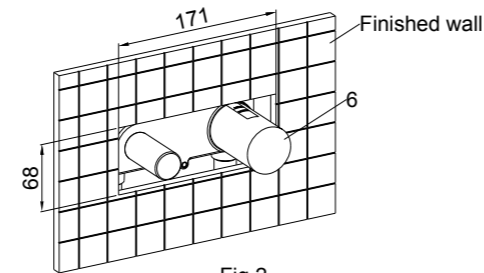


Fig.2

How To Install The Handle And Spout

Remove the protectors after the wall is finished.

Tighten the screws(7) with 3mm hex wrench(8) to secure the mounting plate(9) until it is against the wall. Loosen the screws(10) on the faceplate kit(11) with 2mm hex wrench(12). Slide the faceplate kit through the connector(13) and bonnet(14) until it is against the wall. **NOTE:** Don't damage the o-ring (15) on the connector. Tighten the screw to secure the faceplate kit.

06/04/2013
Slide the washer(16) into the groove on the faceplate kit. Loosen the screw(17) on the spout(18) with 2mm hex wrench(12). Slide the spout onto the connector with its outlet downwards. Tighten the screw to secure the spout.

Close the valve, and loosen the screw(19) on the handle with 2.5mm hex wrench(20). Install the handle(21) onto the valve body. Tilt it upwards and tighten the screw. Press the plug button(22) into the hole. Reclose the valve.

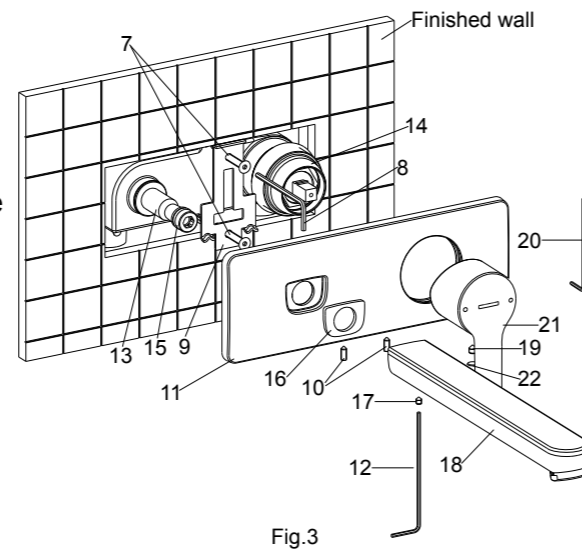


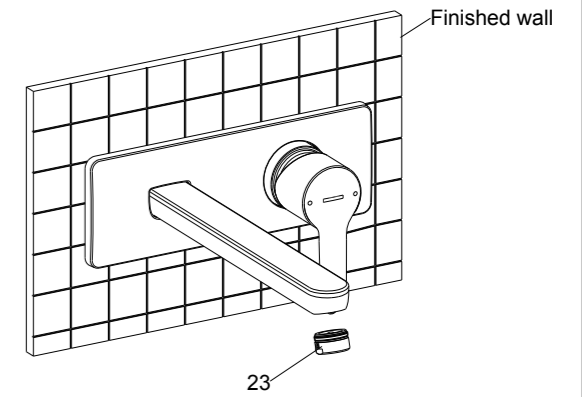
Fig.3

INSTALLATION CHECKOUT

Ensure that all coupling nuts are tight. Ensure that the handle is in the off position.

Open the drain and turn on the main water supply. Check for leaks, and repair as needed.

Remove the aerator(23). Turn on the tap. Run hot and cold water through spout for one minute to remove any debris. Check for leaks at this time. Remove any debris from the aerator assembly. Shut off the tap. Reinstall the aerator assembly.



CLEANING INSTRUCTIONS

All Finishes: Clean the finish with mild soap and warm water. Wipe entire surface completely dry with clean soft cloth. Many cleaners may contain chemicals, such as ammonia, chlorine, toilet cleaner etc. which could adversely affect the finish and are not recommended for cleaning.

Do not use abrasive cleaners or solvents on Kohler faucets and fittings.