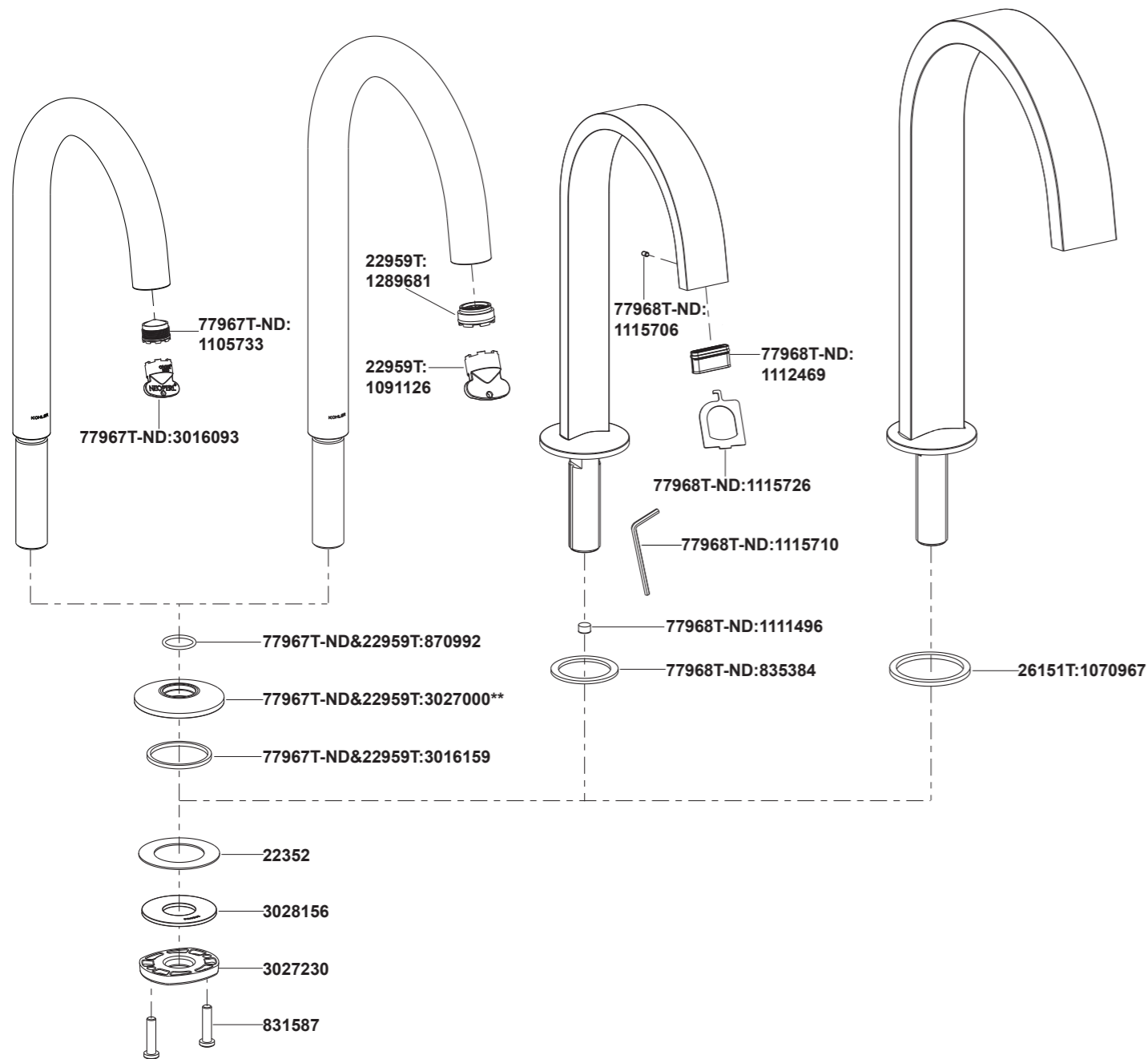


- 77967T-ND Basin Spout - Tube
- 77968T-ND Basin Spout - Ribbon
- 22959T Deck-mount Bath Spout - Tube
- 26151T Deck-mount Bath Spout - Ribbon



\*\*Color code must be specified when ordering.

- 77967T-ND Basin Spout - Tube
- 77968T-ND Basin Spout - Ribbon
- 22959T Deck-mount Bath Spout - Tube
- 26151T Deck-mount Bath Spout - Ribbon

**BEFORE YOU BEGIN**

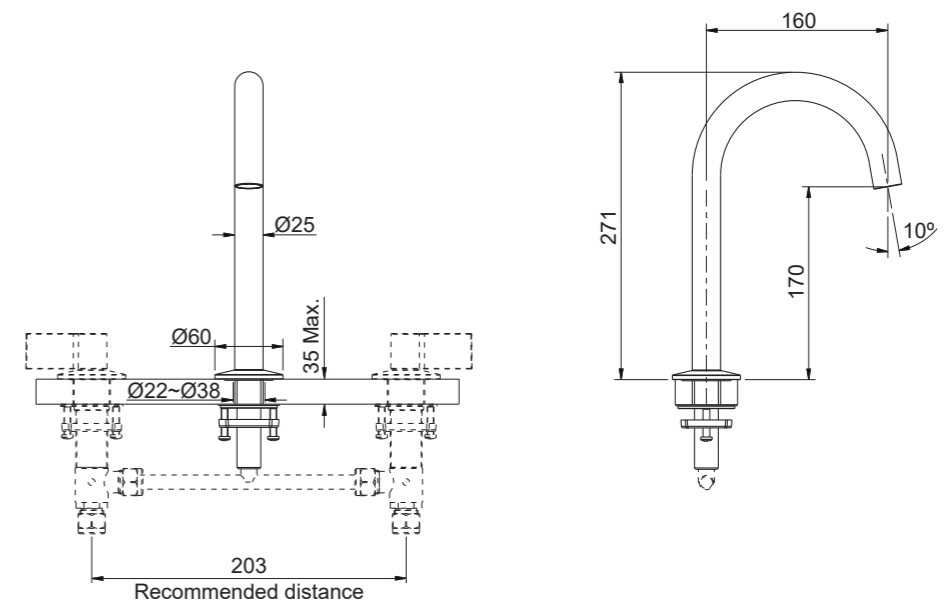
All information is based on the latest product information available at the time of publication. Kohler Co. reserves the right to make changes in product characteristics, packaging, or availability at any time without notice.

Please leave these instructions for the consumer. They contain important information.

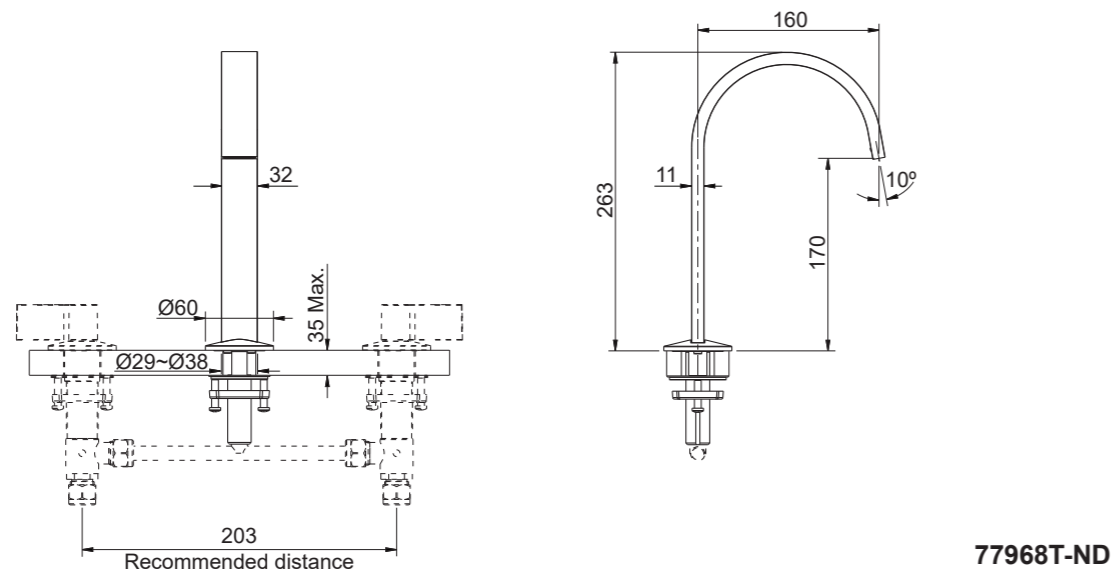
**NOTES:**

1. Flush the water supply pipes thoroughly to remove debris.
2. An in line water filter must be used with this product.
3. If possible, install this spout before installing the basin or bath tub.
4. Inspect the supply tubing for damage and leakage. Replace and maintain as necessary.
5. Observe local plumbing codes.
6. Shut off the water supplies to the fitting.
7. 77967T-ND & 77968T-ND should match with handles 77990T-4DR/8DR/9DR or rocker handle 77963T-8ADR.
8. 22959T & 26151T should match with handles 77990T-4DR/8DR/9DR.
9. All installations should comply with the relevant requirements of AS/NZS 3500 and AS/NZS 6400.

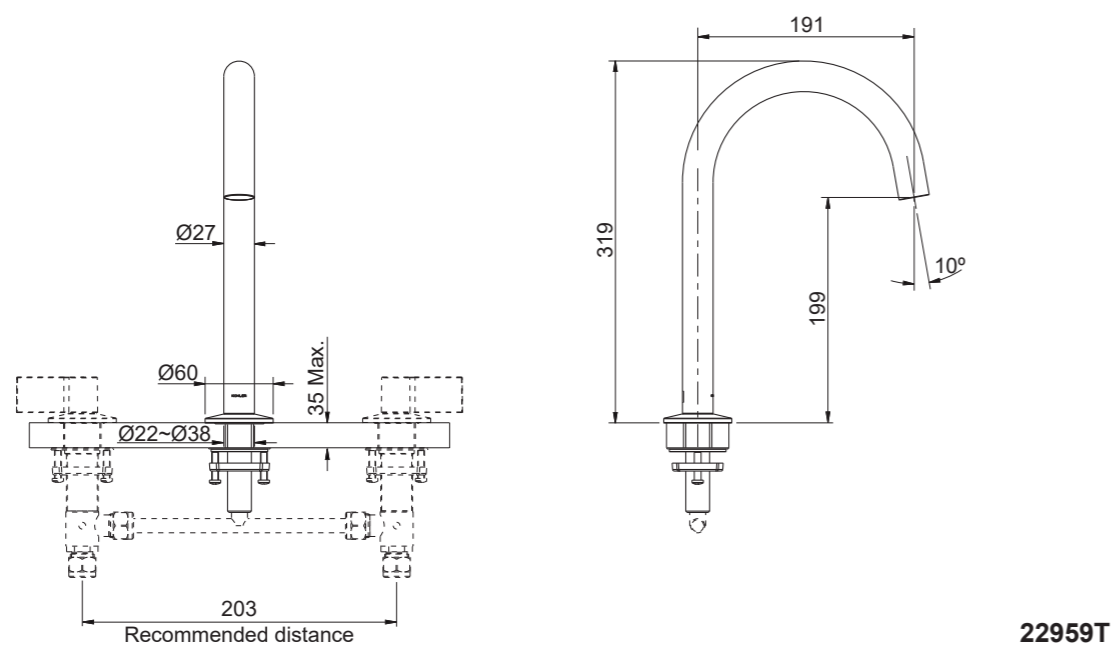
**ROUGH-IN DIMENSIONS**



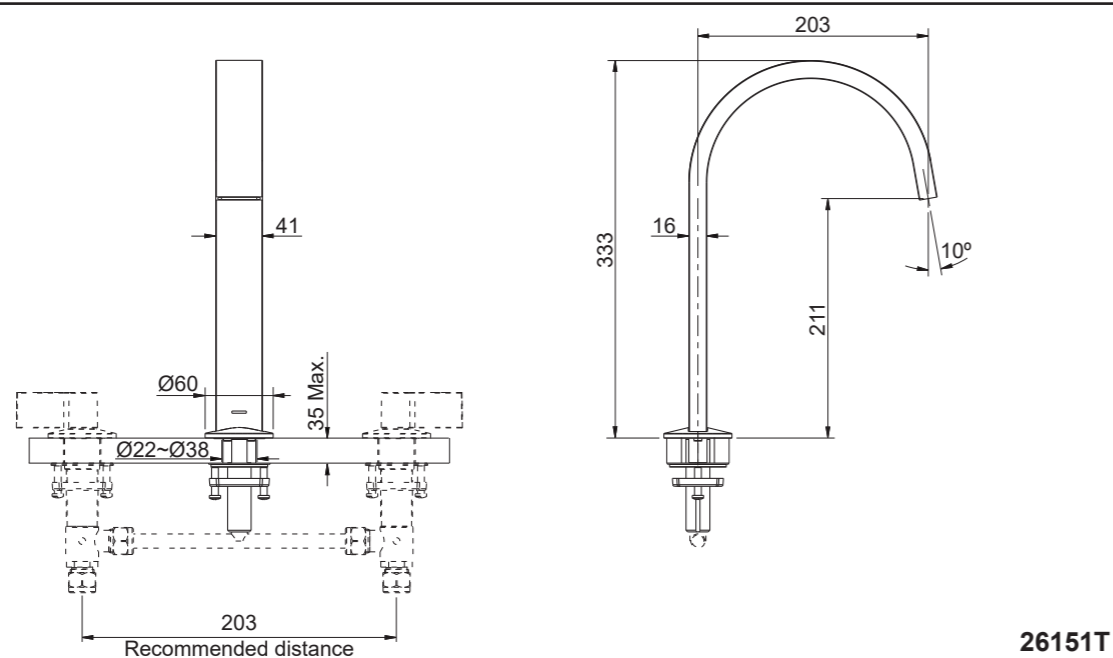
77967T-ND



77968T-ND

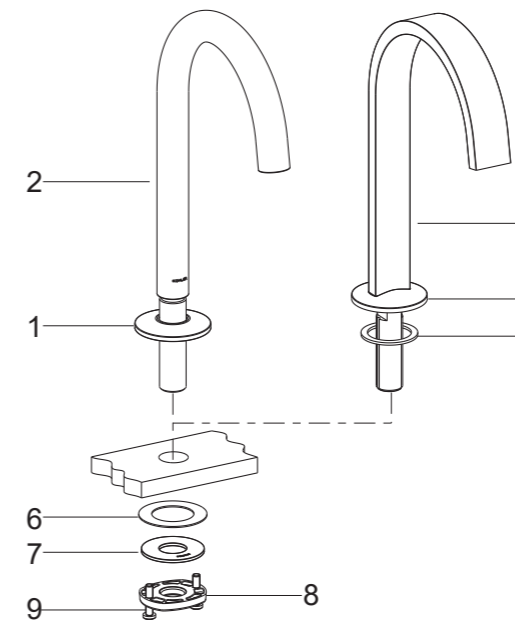


22959T



26151T

## INSTALLATION



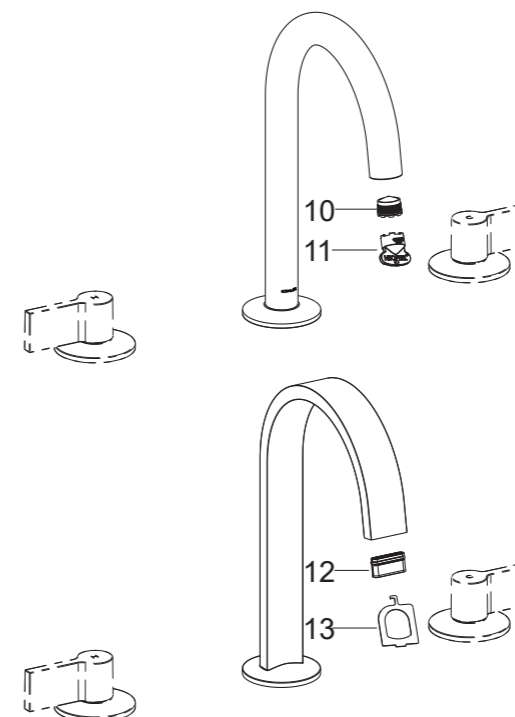
### How to Install the Spout

**For 77967T-ND & 22959T:** Slide the escutcheon(1) into the bottom of the spout(2). Insert the spout kit into the mounting hole of the basin or bathtub with escutcheon.

**For 77968T-ND & 26151T:** Put the washer(3) into the groove of the escutcheon(4). Insert the spout kit(5) into the mounting hole of the basin or bathtub with washer .

From underside of the basin or bathtub, place the washer(6), steel washer(7) and fixing ring(8) onto the shank. Position the spout. Screw the fixing ring. Tighten the screws(9) to secure the spout.

## INSTALLATION CHECKOUT



Ensure that all coupling nuts are tight. Ensure that the handles are in the off position.

Turn on main water supply and drain, and check for leaks. Repair as needed.

**For 77967T-ND & 22959T,** remove the aerator(10) by key(11); **For 77968T-ND,** remove the aerator(12) by key(13). Run hot and cold water through spout for about one minute to remove any debris. Check for leaks. Repair as needed. Remove any debris from the aerator. Shut off basin mixer. Reinstall the aerator.

**For 26151T,** run hot and cold water through spout for about one minute to remove any debris. Check for leaks. Repair as needed. Shut off basin mixer.

## CLEANING INSTRUCTIONS

All Finishes: Clean the finish with mild soap and warm water. Wipe entire surface completely dry with clean soft cloth. Many cleaners may contain chemicals, such as ammonia, chlorine, toilet cleaner etc, which could adversely affect the finish and are not recommended for cleaning.

Do not use abrasive cleaners or solvents on Kohler faucets and fittings.