

### 28139T-DR Wall-Mount Dual Handle Lavatory Faucet Valve

#### BEFORE YOU BEGIN

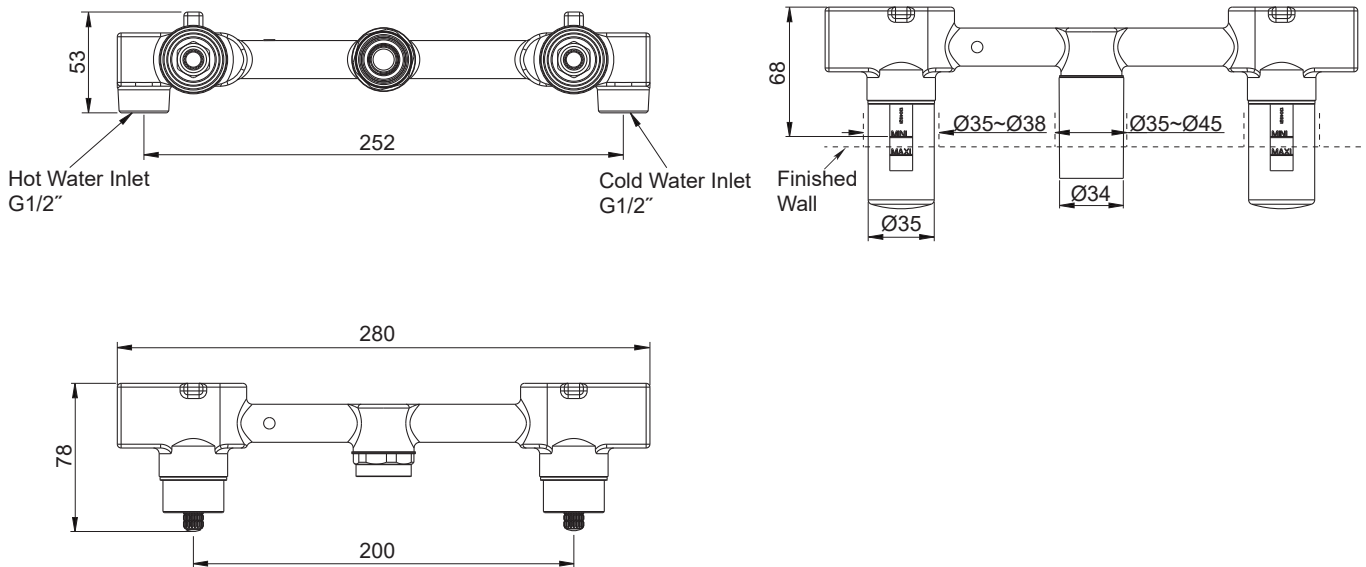
All information is based on the latest product information available at the time of publication. Kohler Co. reserves the right to make changes in product characteristics, packaging, or availability at any time without notice.

Please leave these instructions for the consumer. They contain important information.

#### NOTES:

1. Flush the water supply pipes thoroughly to remove debris.
2. An inline water filter must be used with this product.
3. Inspect the supply tubing for damage. Replace as necessary.
4. Observe local plumbing codes.
5. Check for leaks before covering the pipes, repairs as needed.
6. Please ensure only apply water pressure test on the product, and empty the air in pipe and faucet thoroughly before the test. Please ensure test pressure below 0.8MPa(8bar) and test duration within 30 minute.
7. All installations should comply with the relevant requirements of AS/NZS 3500.

#### ROUGH-IN DIMENSIONS

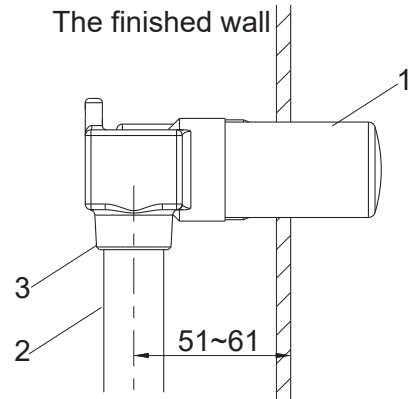
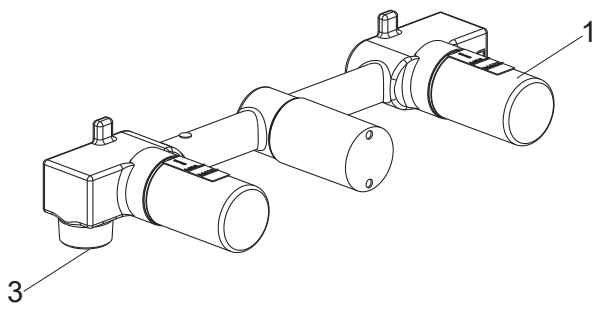


#### CLEANING INSTRUCTIONS

All Finishes: Clean the finish with mild soap and warm water. Wipe entire surface completely dry with clean soft cloth. Many cleaners may contain chemicals, such as ammonia, chlorine, toilet cleaner etc, which could adversely affect the finish and are not recommended for cleaning.

Do not use abrasive cleaners or solvents on Kohler faucets and fittings.

## INSTALLATION

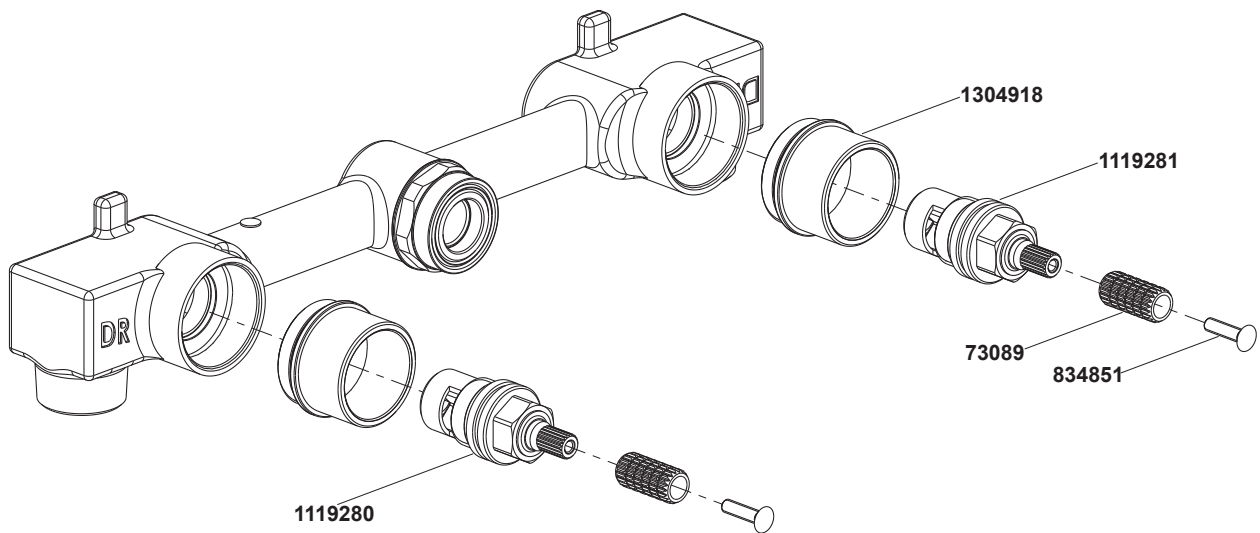


Do not take off the protectors(1) at this moment.

Connect the G1/2" water supply pipes(2) to the supply yoke(3).

The distance from centerline of the water supplies to the surface of the finished wall must be between 51mm and 61mm. Make sure the left supply pipe is the hot supply and connected to the end with red mark.

## SERVICE PARTS



\*\*Color code must be specified when ordering.