

INSTALLATION INSTRUCTIONS

28138T-DR Wall-Mount Single Control Handle Lavatory Faucet Valve

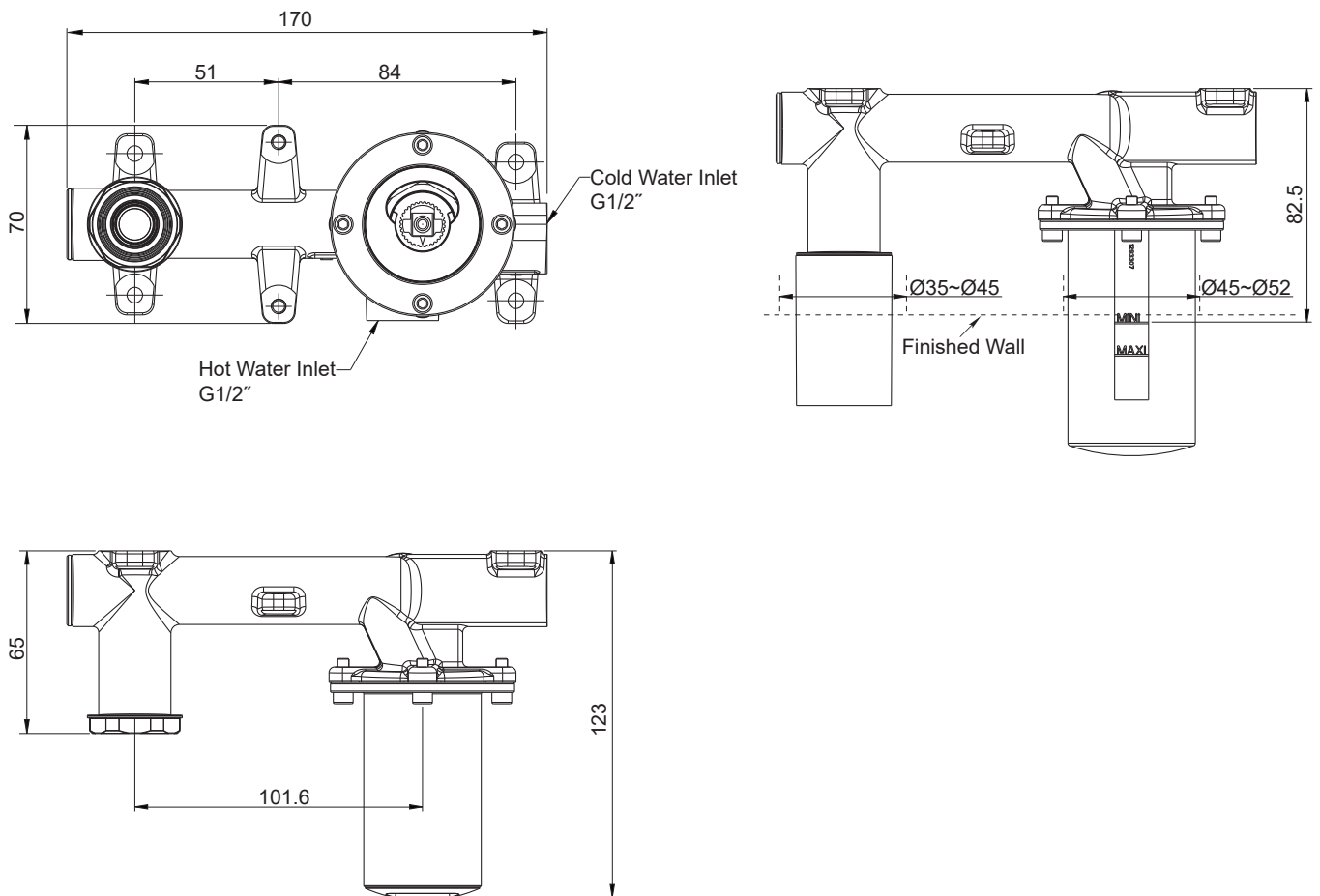
BEFORE YOU BEGIN

All information is based on the latest product information available at the time of publication. Kohler Co. reserves the right to make changes in product characteristics, packaging, or availability at any time without notice. Please leave these instructions for the consumer. They contain important information.

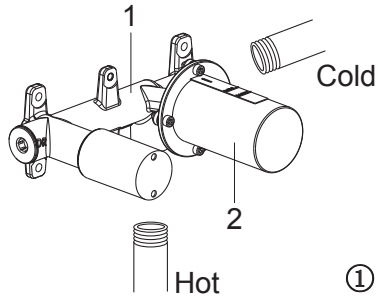
NOTES:

1. Flush the water supply pipes thoroughly to remove debris.
2. An inline water filter must be used with this product.
3. Inspect the supply tubing for damage. Replace as necessary.
4. Observe local plumbing codes.
5. Check for leaks before covering the pipes, repairs as needed.
6. Please ensure only apply water pressure test on the product, and empty the air in pipe and faucet thoroughly before the test. Please ensure test pressure below 0.8MPa(8bar) and test duration within 30 minutes.
7. All installations should comply with the relevant requirements of AS/NZS 3500.

ROUGH-IN DIMENSIONS



INSTALLATION



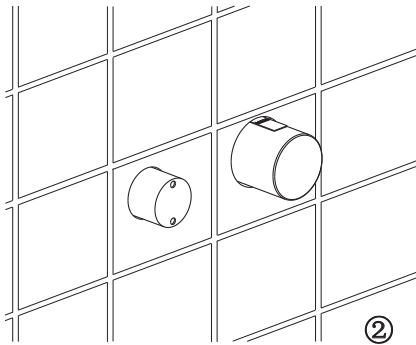
Determine where the valve body(1) will be located on the wall. Dig a suitable hole in the wall. Install the valve body into the hole. Make sure the protector(2) faces front.

NOTE: Ensure the centerline of valve is vertical to the wall, the up plane of valve body is horizontal.

Connect hot and cold supplies to the inlets of the valve body as figure 1 shown. Connect hot supply to the bottom inlet with the "H" mark.

As figure 2 shown, the outer surface of the finished wall should be between the MAX and MIN marks on the protector.

During installation, the protectors remain on the valve body.

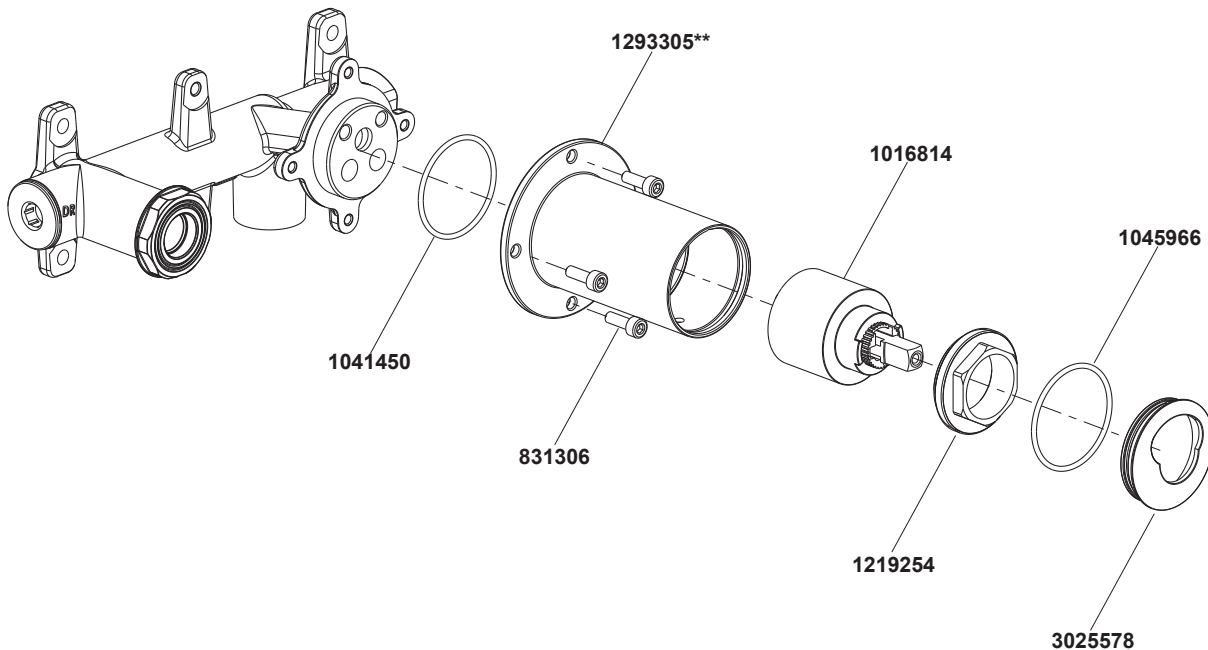


CLEANING INSTRUCTIONS

All Finishes: Clean the finish with mild soap and warm water. Wipe entire surface completely dry with clean soft cloth. Many cleaners may contain chemicals, such as ammonia, chlorine, toilet cleaner etc, which could adversely affect the finish and are not recommended for cleaning.

Do not use abrasive cleaners or solvents on Kohler faucets and fittings.

SERVICE PARTS



**Color code must be specified when ordering.