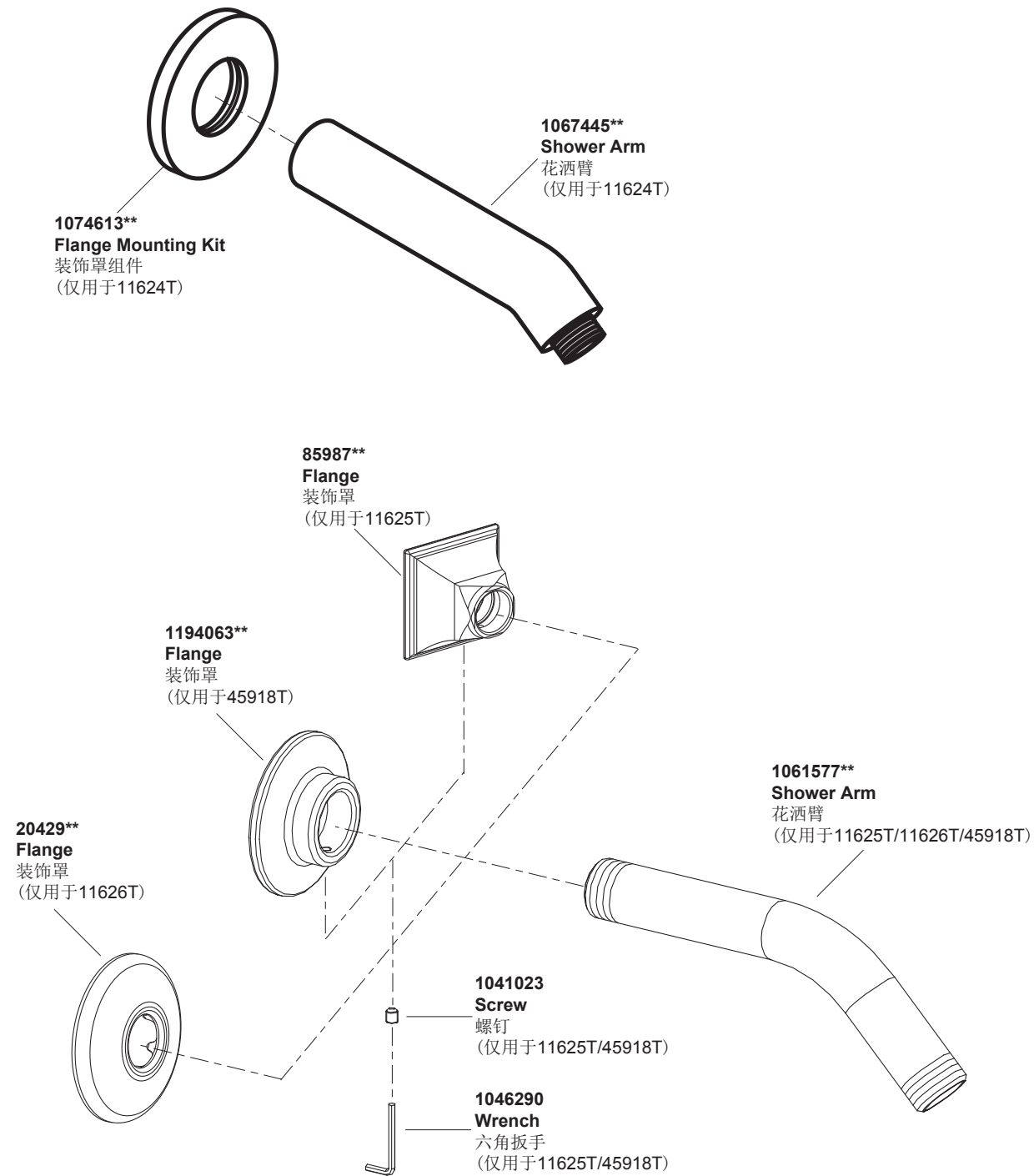


11624T 11626T 花洒臂  
11625T 45918T 花洒臂



\*\*订购时请说明颜色编号

\*\*Color code must be specified when ordering

11624T 11626T 花洒臂  
11625T 45918T 花洒臂

#### 安装之前

所有的资料是按最新发布的产品资料编写而成。科勒公司保留任何时候不经通知即可改变产品特性、包装或产品可供类型的权利。

说明书包括重要的安装、保养及清洁方面的内容，请把这些资料交给用户阅读。

#### 注意事项：

1. 切断供水管路。
2. 遵守所有当地安装及建筑条例。

#### BEFORE YOU BEGIN

All information is based on the latest product information available at the time of publication. Kohler Co. reserves the right to make changes in product characteristics, packaging, or availability at any time without notice.

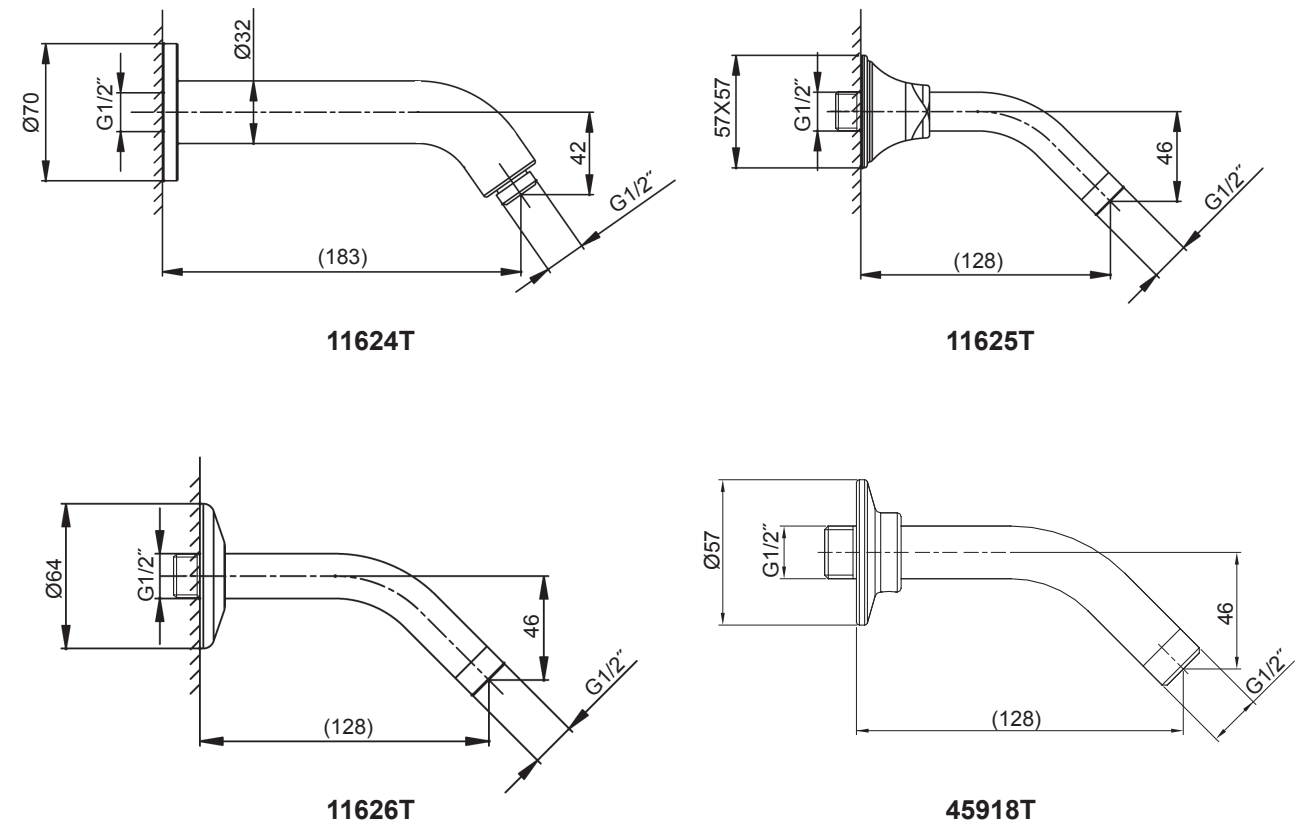
Please leave these instructions for the consumer. They contain important information.

#### NOTES:

1. Shut off the water supplies to the fitting.
2. Observe all local plumbing and building codes.

#### 安装尺寸

#### ROUGH-IN DIMENSIONS



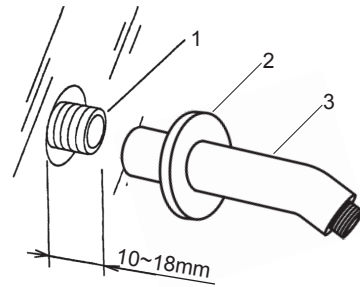
## 安装说明

### 仅对于11624T

在G1/2"接管(1, 客户自备)两端螺纹上缠绕足以密封的密封胶带或涂合适的密封膏。安装G1/2"接管, 接管露出墙外10~18mm。

把装饰罩(2)套入花洒臂(3)。用带状扳手拧紧花洒臂到G1/2"接管上, 调整花洒臂方向使其向下。向后推装饰罩直至与墙面接触。

打开水源, 冲水约一分钟, 以清除杂质。



## INSTALLATION

### Only For 11624T

Apply tape or sealant to the G1/2" nipple(1, not provided) threads. Install the G1/2" nipple to extend 10-18mm beyond the finished wall.

Slide the escutcheon(2) onto the shower arm(3). Thread the shower arm to the G1/2" nipple, tighten by strap wrench. Adjust the shower arm downwards. Push the escutcheon against the finished wall.

Flush both water supplies through the shower arm for one minute to remove debris.

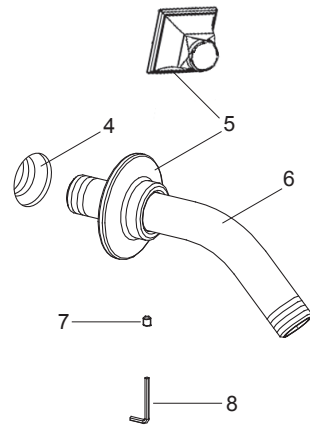
### 仅对于11625T和45918T

为使安装顺利, 用户需自备G1/2"弯头(4)。在装饰罩(5)背面边缘涂一圈油灰并套在花洒臂(6)上, 在花洒臂螺纹上缠绕足以密封的密封胶带或涂合适的密封膏, 用带状扳手将花洒臂拧紧, 调整花洒臂方向使其向下。

向后推装饰罩直至与墙面接触。用六角扳手(8)拧紧固定螺钉(7)。去除多余油灰。

花洒臂管连接花洒处需缠足以密封的生料带。

打开水源, 冲水约一分钟, 以清除杂质。



### Only For 11625T & 45918T

To perform installation, installer must provide G1/2" ell(4). Apply a ring of plumbers putty around the back surface of the escutcheon(5). Slide the escutcheon over the shower arm(6). Apply tape or sealant to the shower arm, and install the shower arm into the shower ell(4). Tighten with a strap wrench. Adjust the shower arm downwards.

Push the escutcheon against the wall, tighten screw(7) with hex wrench(8) to secure the escutcheon. Remove any excess putty.

Apply tape to the exposed end of the shower arm in order to make sure it well connect with showerhead.

Flush both water supplies through the shower arm for one minute to remove debris.

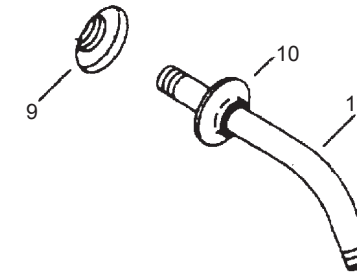
### 仅对于11626T

为使安装顺利, 用户需自备G1/2"弯头(9)。在装饰罩(10)背面边缘涂一圈油灰并套在花洒臂(11)上, 在花洒臂螺纹上缠绕足以密封的密封胶带或涂上合适的密封膏, 用带状扳手将花洒臂拧紧, 调整花洒臂方向使其向下。

向后推装饰罩直至与墙面接触。去除多余油灰。

花洒臂管连接花洒处需缠足以密封的生料带。

打开水源, 冲水约一分钟, 以清除杂质。



### Only For 11626T

To perform installation, installer must provide G1/2" ell(9). Apply a ring of plumbers putty around the back surface of the escutcheon(10). Slide the escutcheon over the shower arm(11). Apply tape or sealant to the shower arm, and install the shower arm into the shower ell. Tighten with a strap wrench. Adjust the shower arm downwards.

Push the escutcheon against the wall. Remove any excess putty.

Apply tape to the exposed end of the shower arm in order to make sure it well connect with showerhead.

Flush both water supplies through the shower arm for one minute to remove debris.

## 清洗说明

适用于所有加工处理过的表面: 以中性肥皂水清洗镀层表面, 再以干净的软布彻底擦干整个表面, 许多清洁剂, 比如氨水、去污粉及洁厕灵等, 会对电镀表面造成伤害, 切忌使用。

有磨损性的清洁用具或清洁剂也不可适用于科勒牌的水龙头及其配件上。

## CLEANING INSTRUCTIONS

All Finishes: Clean the finish with a mild soap and warm water. Wipe entire surface completely dry with clean soft cloth. Many cleaners may contain chemicals, such as ammonia, chlorine, toilet cleaner etc. which could adversely affect the finish and are not recommended for cleaning.

Do not use abrasive cleaners or solvents on Kohler faucets and fittings.