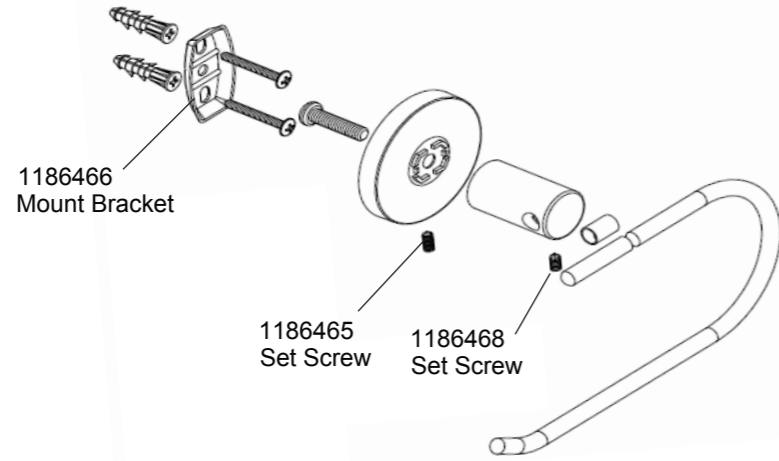


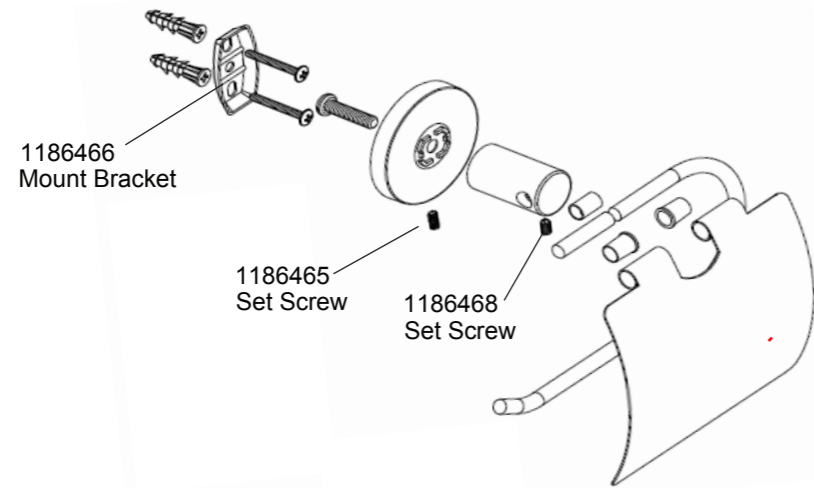
KOHLER®

INSTALLATION INSTRUCTIONS

Horizontal toilet tissue holder : 10704A-CP



Horizontal toilet tissue holder with cover : 10705A-CP

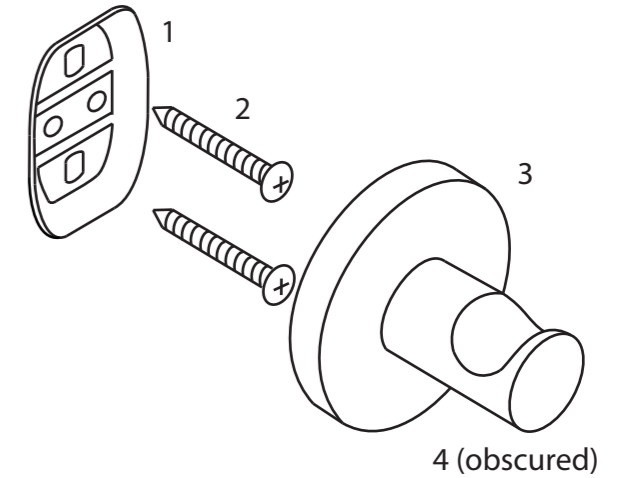


- Glass Tumbler with Holder: 10707A-CP
- Double Glass Tumbler with Holder: 10708A-CP
- Glass Shelf: 10711A-CP
- Towel Hook: 10713A-CP
- Toilet tissue holder : 10704A-CP
- Toilet tissue holder with cover : 10705A-CP

- Towel Ring: 10709A-CP
- Towel Bar - 610mm: 10710A-CP
- Double Towel Bar: 10702A-CP
- Hook Set of 3: 10714A-CP
- Towel Hook: 10713A-CP
- Soap Dish Holder: 10706A-CP

INSTALLATION

- 1.) Secure the wall plate (1) to the wall using the supplied fixing screws (2).
- 2.) Align the post assembly (3) over the wall plate (2).
- 3.) Tighten the grub screw (4) on the underside to secure the post assembly (3).



Note: The illustration shows the July Towel Hook; however, the installation method is similar for all July Bathroom Accessories

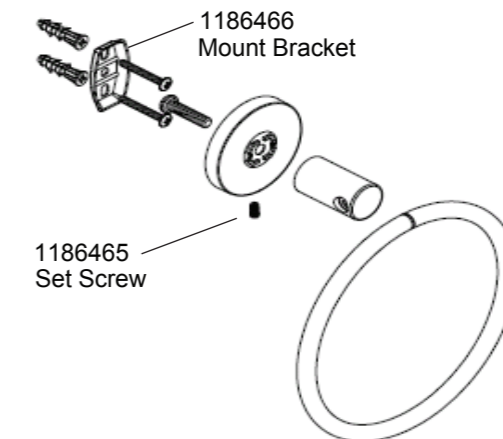
CLEANING INSTRUCTIONS

All Finishes: Clean the finish with mild soap and warm water. Wipe entire surface completely dry with a clean soft cloth. Many cleaners may contain such chemicals as ammonia, chlorine, toilet chemicals etc. which could adversely affect the finish and are not recommended for cleaning.

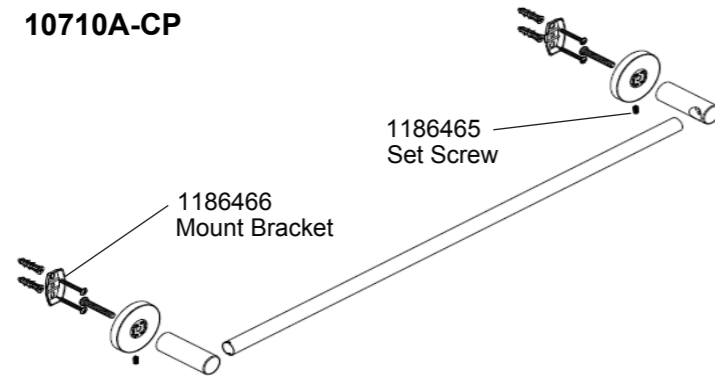
Do not use abrasive cleaners or solvents on Kohler fittings.

SPARE PARTS

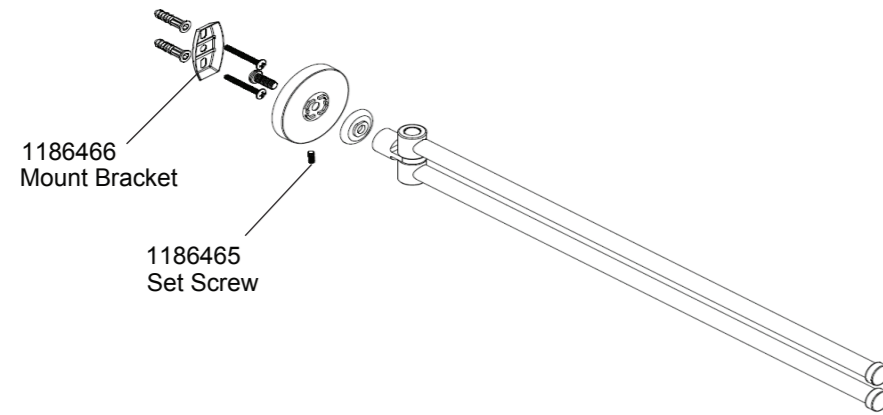
Towel Ring: 10709A-CP



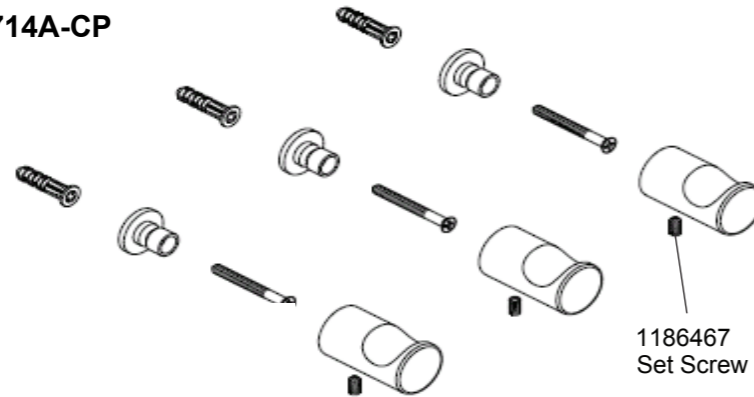
Towel Bar 610mm : 10710A-CP



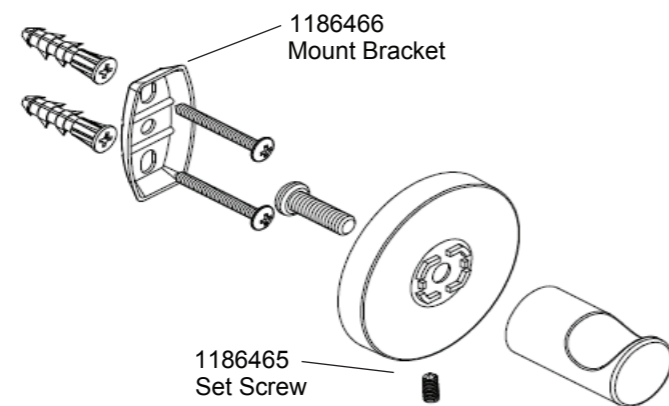
Double Towel Bar 448mm : 10702A-CP



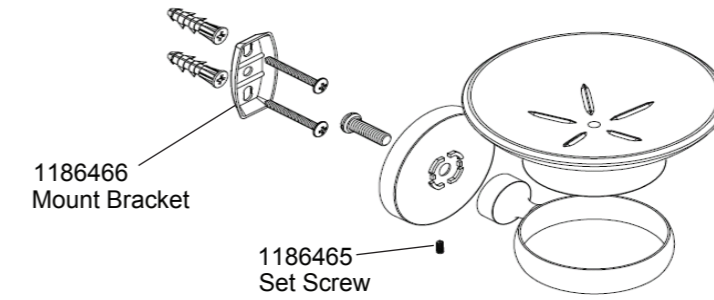
Hook - Set of 3 : 10714A-CP



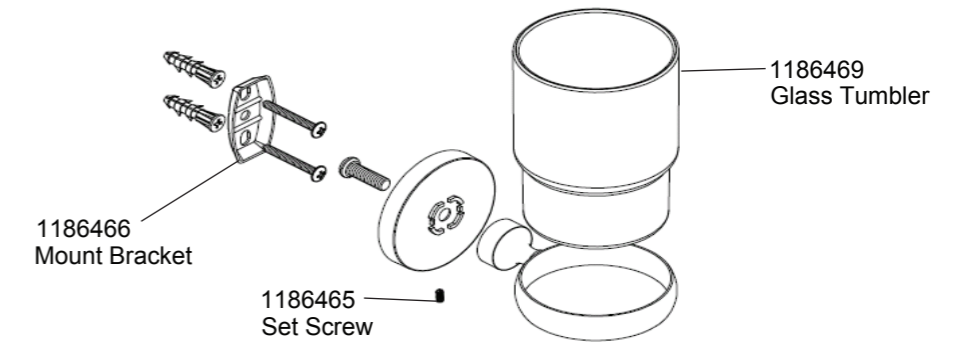
Towel Hook : 10713A-CP



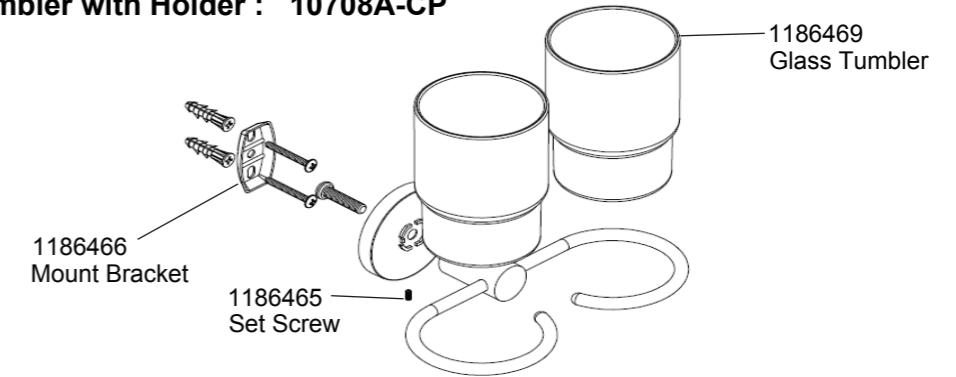
Soap Dish Holder : 10706A-CP



Glass Tumbler with Holder : 10707A-CP



Double Glass Tumbler with Holder : 10708A-CP



Glass Shelf : 10711A-CP

