

BEFORE YOU BEGIN

- Please read these instructions carefully to familiarize yourself with the required tools, materials, and installation sequences. Follow the sections that pertain to your particular installation. This will help you avoid costly mistakes. In addition to proper installation, read all operating and safety instructions.
- All information is based on the latest product information available at the time of publication. Kohler NZ Ltd. reserves the right to make changes in product characteristics, packaging, or availability at any time without notice.
- These instructions contain important information
 - Please leave these instructions for the consumer.
- Please provide adequate available space for the bath unit in accordance with rough-in. Arrange the location of drain in advance.

IMPORTANT:

All installations must comply with council and local authority by-laws. It is the responsibility of the installer to ensure that the waste is made watertight.

NOTE: The bath can be installed after the wall is completed. Bath drain supplies should be arranged preliminarily according to the selected bath.

PRODUCT REQUIREMENTS

A. Summary Of Key Requirements

- Observe all local plumbing codes.
- Install the unit to a level subfloor.

B. Plumbing Specifications

- If using a rim-mounted bath faucet, flexible connections between the valves and spout may be required.
- Confirm adequate mounting, connection space of specified faucet for your installation.

C. Product Inspection

Uncrate and inspect bath for damage. All Kohler's baths have been manufactured with sophisticated craftsmanship. However, please inspect for any possible damage that may have occurred in transit. Leave all materials in the carton during construction to prevent damage.

NOTE: Damage occurred during transit shall not be covered by warranty.

D. New or Replacement Installation Requirements

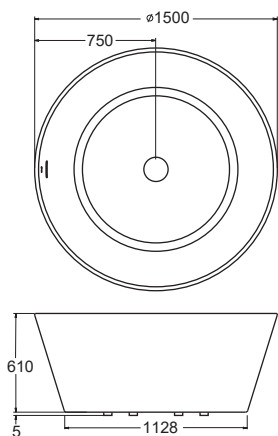
This bath can be installed in new or existing bathrooms. Check the roughing-in and room dimensions to provide adequate available space for the bath unit.

For replacement: Remove the old bath, and remove enough old wall material and floor covering from the area to allow for installation. Remove any old plumbing that does not conform to the rough-in requirements.

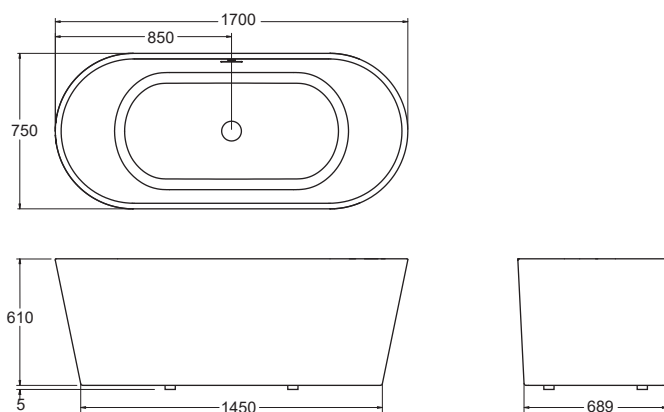
For new installation: Position the plumbing according to the rough-in dimensions. Cap the supplies, and check for leaks.

E Rough-in Dimensions (mm)

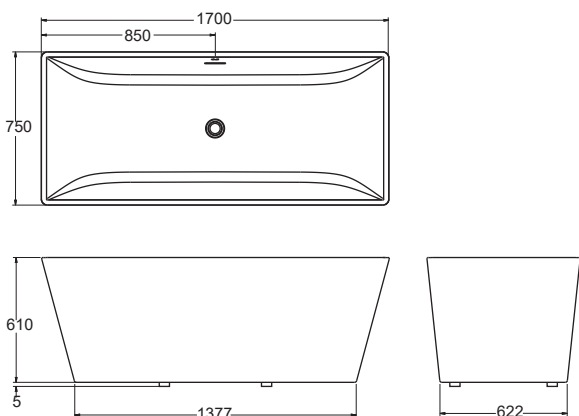
25163A-0



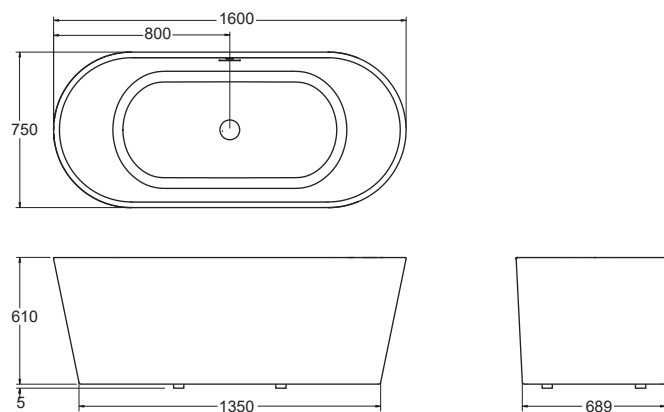
25165A-0



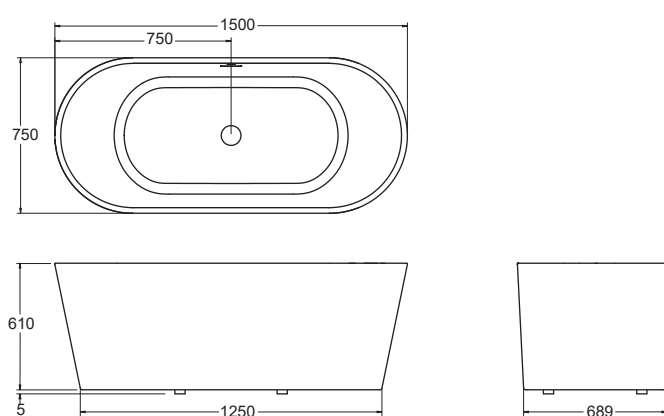
25164A-0



25166A-0



25167A-0



	25163A-0	25164A-0	25165A-0	25166A-0	25167A-0
Water depth to overflow	410mm	410mm	410mm	410mm	410mm
Capacity to overflow	390 L	282 L	284 L	256 L	228 L
Bathing area	∅ 908 mm	835 x 424 mm	1127 x 564 mm	1027 x 564mm	927 x 564 mm
Top area	∅ 1450 mm	1648 x 699 mm	1642 x 695 mm	1542 x 695 mm	1442 x 695 mm

INSTALLATION REQUIREMENTS

A. Tools Required

- Adjustable pipe wrench
- Ruler
- Level
- Safety shoes
- Safety glasses
- Square
- Screwdriver
- Pliers
- Utility knife

B. Materials Required

- Plumbers putty
- Wall coverings(as necessary)
- Silicone sealant

C. Installation Note:

Read the entire installation instruction manual supplied with this bath before beginning the installation. If installing a rim-mount faucet, make sure there is no interference with the drain overflow before drilling any holes.

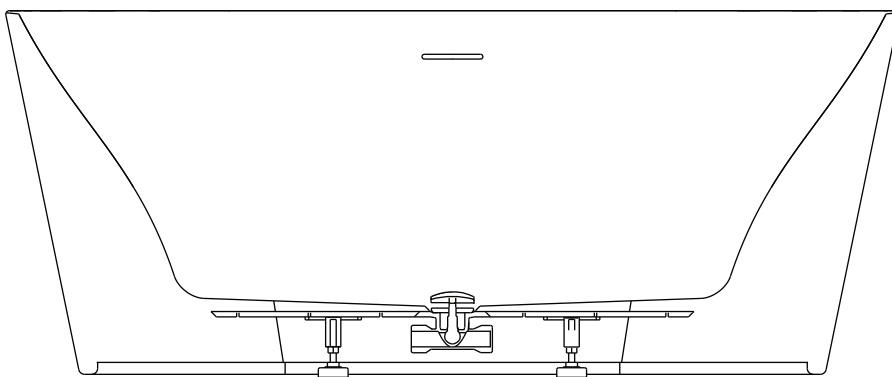
D. Clearance Requirements

Check the rough-in and room dimensions to ensure there is adequate available space for the bath.

SITE REQUIREMENTS

A. Subfloor Preparation

Check the flooring under the bath, and make repairs as necessary. Make sure the subfloor is level. It is strongly recommended to prepare a waterproof layer for the subfloor beforehand. It may be necessary to plan for a channel in the floor to allow space for a trap, see cross section below:



BEFORE INSTALLING UNIT

A. Protect the Bath Unit

Position a protective covering underneath the bath and be careful not to scratch the bath surface.

NOTES:

1. Flush the water supply pipes thoroughly to remove debris.
2. Inspect the supply tubing for damage. Replace as necessary.
3. Observe local plumbing codes.

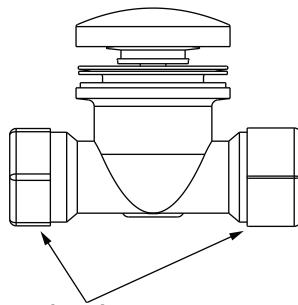
INSTALLATION

- 1) Unpack bath shell and skirt and check for any transit damage prior to installation.
- 2) Position the bath in the desired location in the bathroom.
- 3) Check that the plumbing can be connected to the bath when in the desired location.
- 4) Adjust the feet so that the bath is level. The distance from the feet to the top of the bath should conform to the rough-in dimensions.

CAUTION: ⚠ The weight of the bath should be supported by the bath feet.

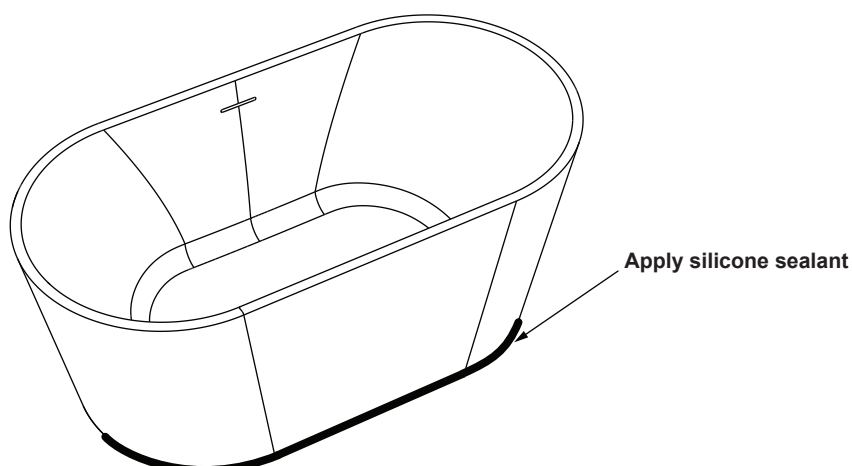
PLUMBING INSTALLATION

- 1) To connect the plumbing raise the freestanding bath off the floor by propping it up onto timber blocks positioned at either end of the bath.
- 2) Connect the bath waste & a DN32 to DN40 adapter to an appropriate trap.



Connect the adapter and drain pipe on one end, and the supplied cap on the other end.

- 3) After plumbing is complete and before lowering the bath check all connections are water tight, check for leaks. Kohler NZ shall not be liable under warranty for damage caused by negligence.
- 4) Carefully lower the bath back onto the floor. Take care while maneuvering the bath not to damage the base of the bath and subfloor.
- 5) If there are no leaks, apply a thin continuous bead of clear or color-matched silicone sealant to the seam between the bath and the finished floor. Leave the bath for a minimum of 24 hours to allow the silicone to cure.



CAUTION: Risk of property damage

- Ensure a watertight seal on the bath drain and plumbing.
- Install the faucet valve according to the faucet manufacturer's instructions.
- Do not install the faucet trim until instructed.
- Turn on the hot and cold water supplies and check connections for leaks.

INSTALLATION COMPLETE

CLEANING AND CARE

- Use a mild detergent such as liquid dishwashing soap and warm water to clean the bath. Do not use abrasive cleaners that may scratch or dull the surface.
- Take care to read the label of cleaning products to ensure the cleaner is safe for use with acrylic material.
- Before using an intended cleaning product, test the cleaning solution on an inconspicuous surface.
- Do not allow cleaners to sit or soak into the surface of the bath.
- Wipe surfaces clean and rinse completely with water immediately after cleaner is applied.
- Use a soft dampened cloth or sponge. Never use an abrasive material such as a scouring pad to clean bath surfaces.

SERVICE PARTS

Product Code	Description
1466888-*	Evok 2 Bath Drain kit
1022879	Bath foot kit

CONTACT AND WARRANTY INFORMATION

For spare parts and warranty information, please visit our website:

New Zealand
www.kohler.co.nz

Australia
www.kohler.com.au

NEW ZEALAND
KOHLER NZ LTD
Ph: 0800 564 537
Fx: 0800 664 488

AUSTRALIA
KOHLER AUSTRALIA
Ph: 1 800 564 537