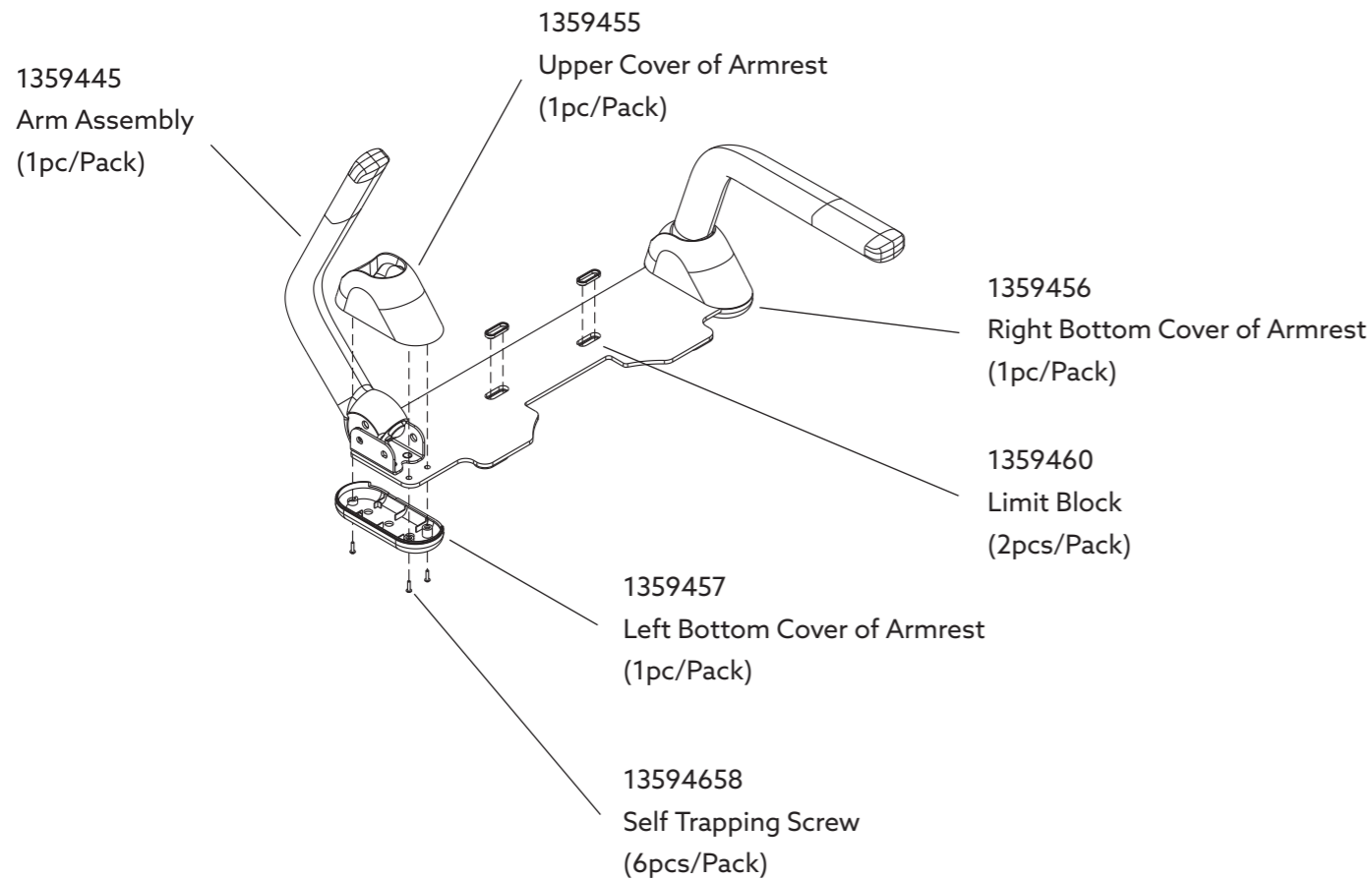
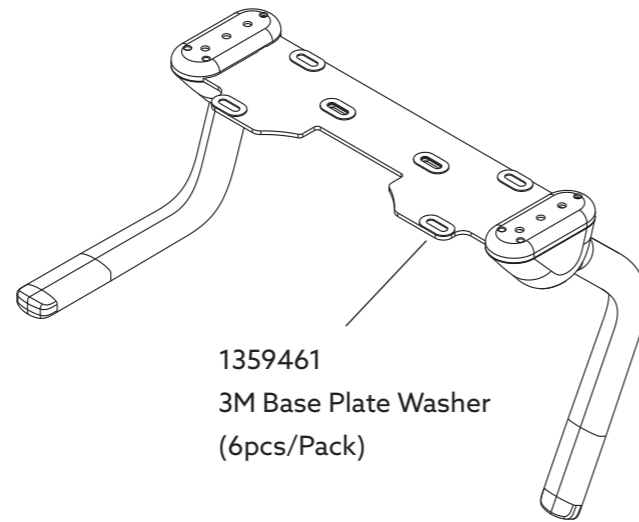
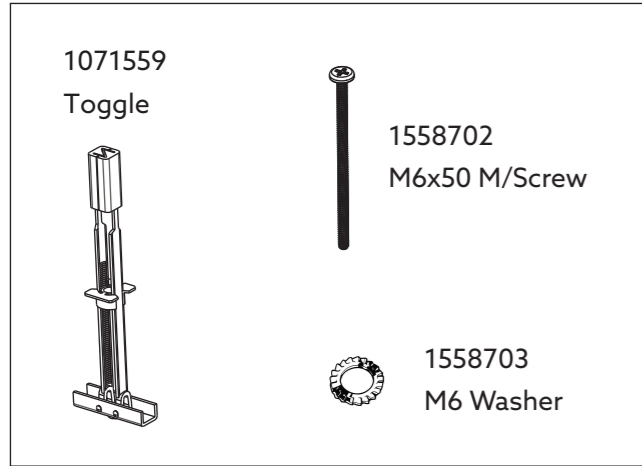


Armrest Kit  
 (2 pcs ea/Pack)



## BEFORE YOU BEGIN

All information in this manual is based on the latest product information available at the time of publication. Kohler reserves the right to make changes in product characteristics, packaging or availability at any time without notice.

All installations shall be in accordance with local building codes.

## PRE-INSTALLATION

### Notes:

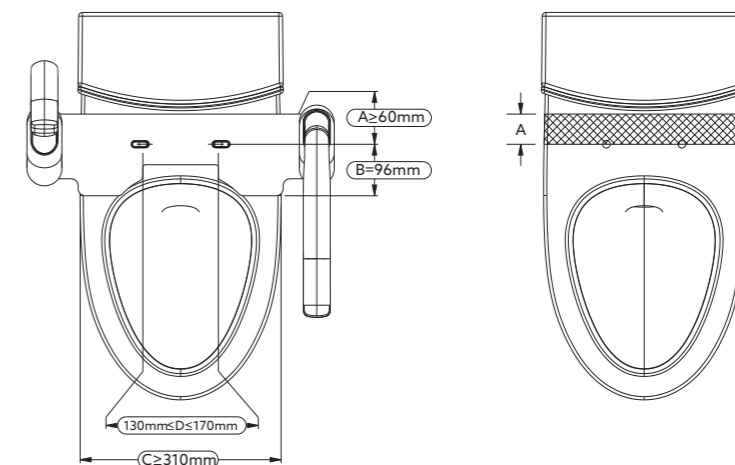
1. The maximum load on both arms during usage is 120 kg.
2. The toilet pan must be fixed to the floor using the fasteners/brackets supplied with the toilet (not supplied with this arm rest).

### Option A - Install with a compatible Kohler or Englefield BTW toilet as below:

Brand	Product Name	SKU Number
Kohler	Veil 2PC BTW Toilet	23622A-0
Kohler	Kohler Dual BTW Toilet	4346A-0
Kohler	Parliament BTW Toilet	77304A-0
Englefield	Evora Rimless BTW Toilet	29484A-0
Englefield	Evora II Rimless BTW Toilet	35457A-0
Englefield	Evora II Raised Height BTW Toilet	27987A-0
Englefield	Milano BTW Toilet	7380A-0
Englefield	Valencia BTW Toilet	98277A-0
Englefield	Valencia Close Coupled Toilet	77912A-0

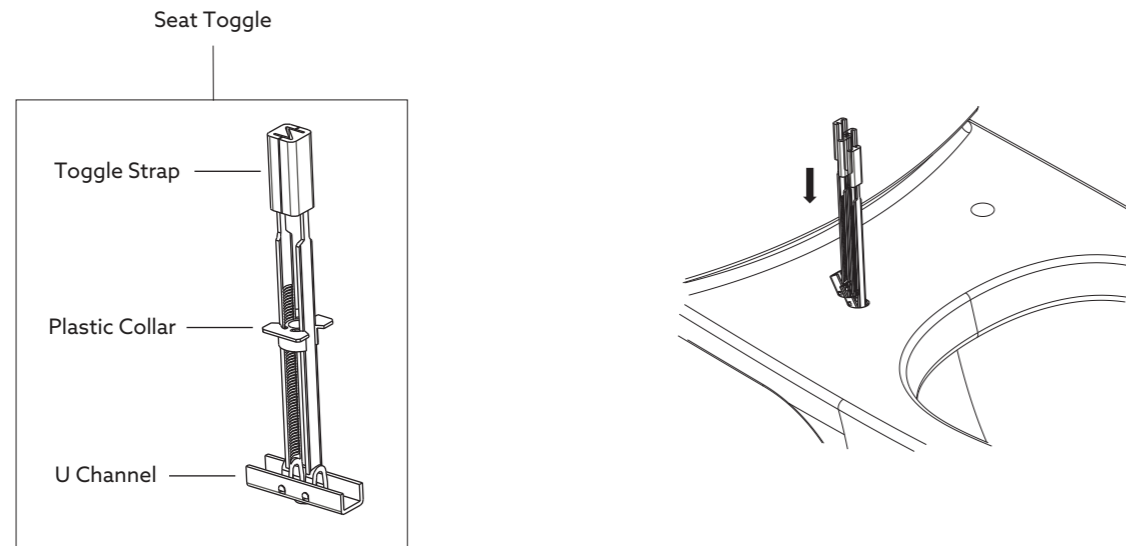
### Option B - Install with another BTW toilet ensuring that each of the following criteria are met:

1. Minimum clearance (A) between the front of toilet cistern and the toilet seat mounting holes is 60mm.
2. Minimum pan width (C) at position (B) is 310mm in order to provide a strong support to the arm rest.
3. The distance between the toilet seat mounting hole centres (D) is from 130mm to 170mm.

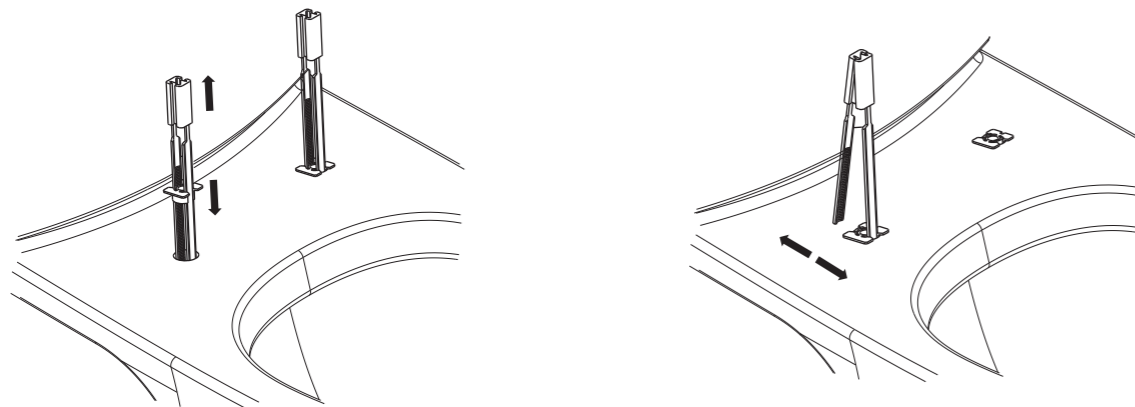


## INSTALLATION

1. Remove the existing toilet seat and mounting hardware from the toilet pan.
2. Clean the pan surface if necessary.
3. Insert the supplied Seat Toggles into the toilet seat mounting holes in the pan.



4. Pull & hold the Toggle Straps upwards with one hand. Ensure the U-Channel is flush with the underside of the pan.
5. Slide the Plastic Collar down onto the pan with the other hand.
6. Snap the Toggle Straps off, flush to the Plastic Collar, by holding them at the plastic collar and moving it from side to side.

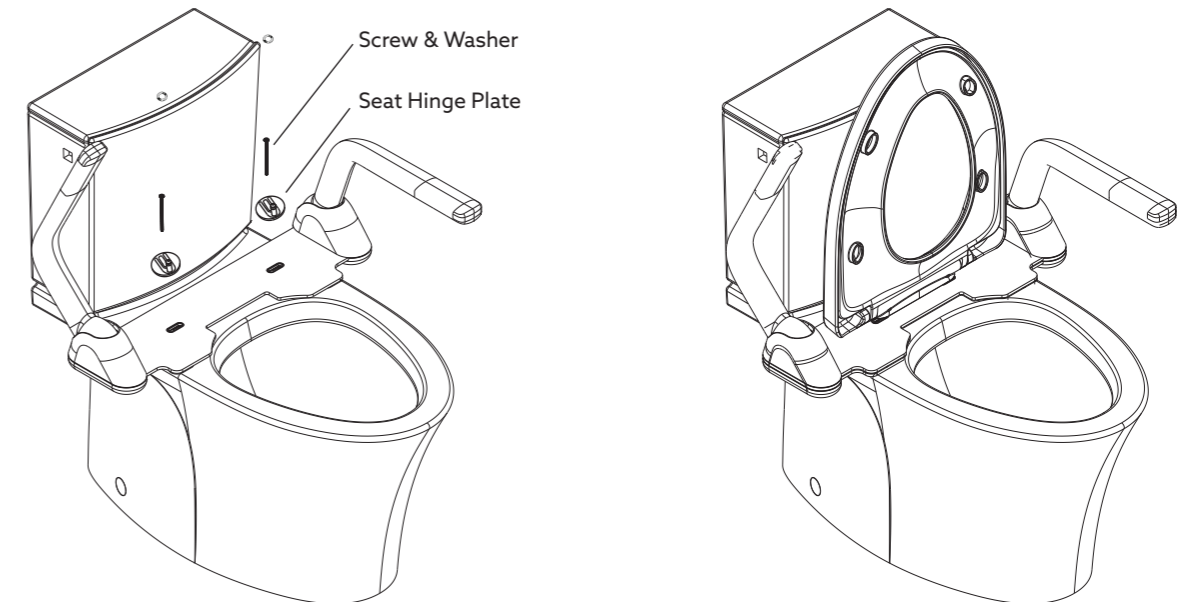


## INSTALLATION - Continued

7. Fix the arm rest and the hinge plates to the pan through the toilet seat mounting holes with the supplied M6 S/S screws, lock washers and toggles.

**Note:** Check and re-tighten the above M6 screws every 6 months to prevent the arm rest from being loosened.

8. Assemble the toilet seat onto the hinge plates.



- INSTALLATION COMPLETED -

## CARE AND CLEANING

1. Use a mild soap and warm water for cleaning the surface.
2. Wipe entire surface completely dry with a clean soft cloth.

**Do not use abrasive cleaners or solvents on the surface. Always test your cleaning solution on an inconspicuous area before applying to the entire surface.**

## CONTACT AND WARRANTY INFORMATION

**NEW ZEALAND**  
Kohler New Zealand  
Ph: 0800 564 537  
kohler.co.nz

**AUSTRALIA**  
  
kohler.com.au

For warranty information, please visit our website.