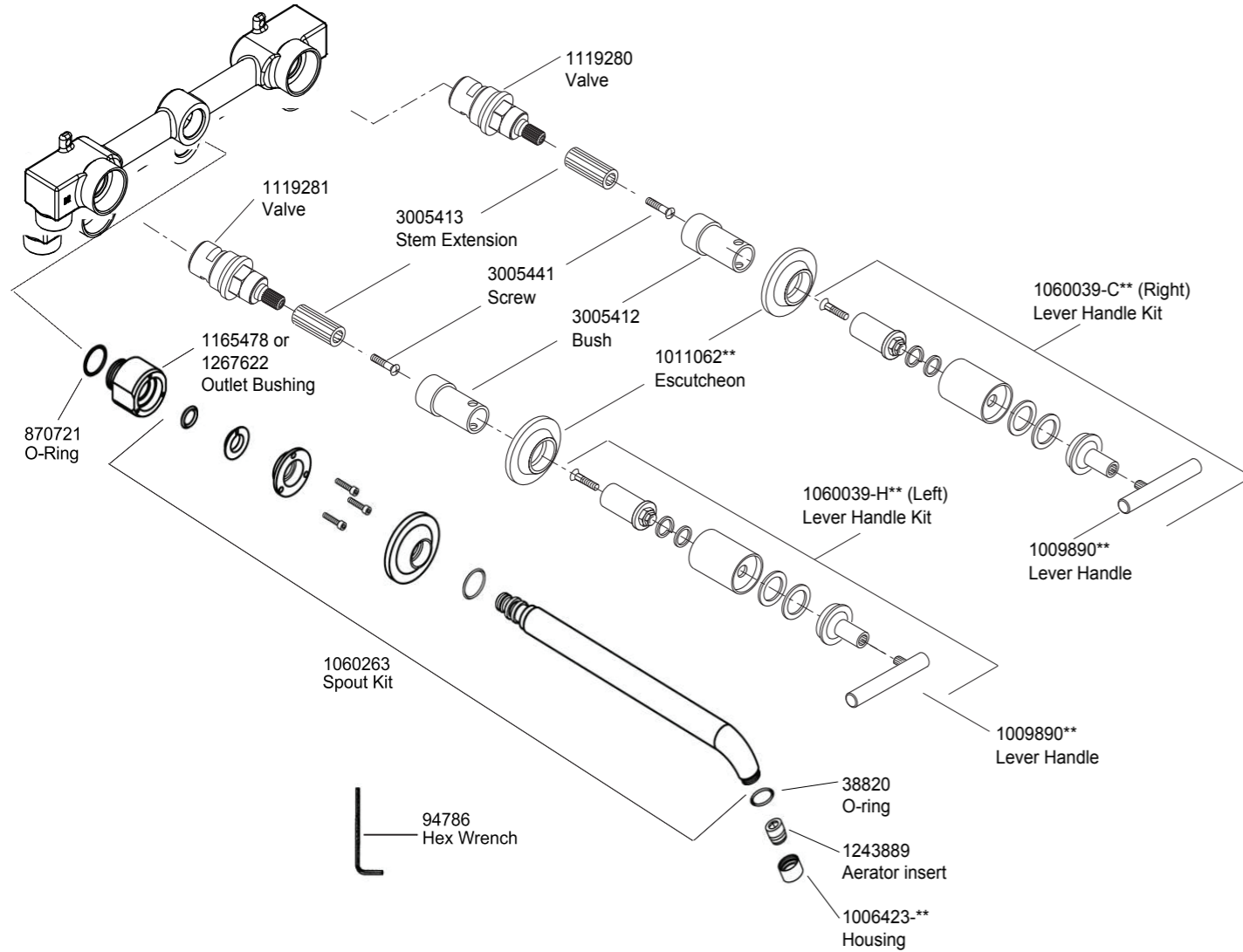


14415A-B4



**Color code must be specified when ordering

14415A-B4

BEFORE YOU BEGIN

All information is based on the latest product information available at the time of publication. Kohler Co. reserves the right to make changes in product characteristics, packaging, or availability at any time without

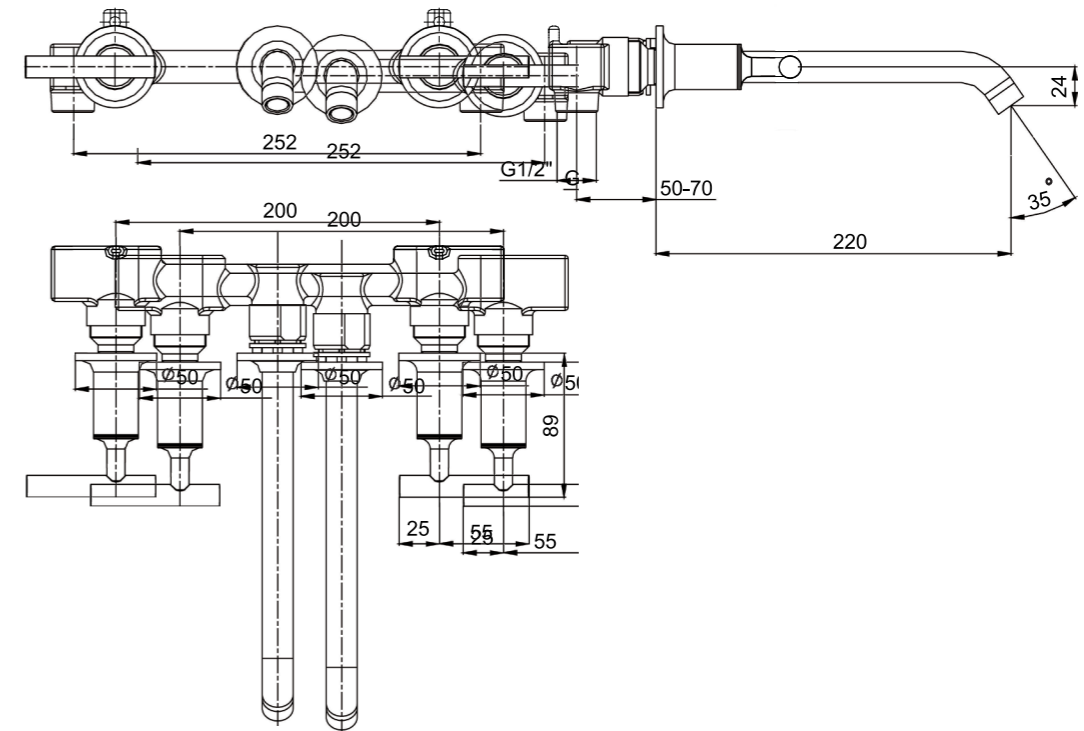
Please leave these instructions for the consumer. They contain important information.

1. Flush the water supply pipes thoroughly to remove any debris.
2. An in line water filter must be used with this product.
3. Inspect the supply pipes for damage. Replace and maintain as necessary.
4. Observe local plumbing codes.
5. If possible, install this basin set before installing the basin.
6. Recommended working pressure: 100KPa to 500KPa.
7. Maximum working pressure: 800KPa.
8. All installations should comply with the relevant requirements of AS/NZS 3500 and AS/NZS 6400.

HANDLE OPERATION

Left handle opens with one-quarter turn clockwise.
Right handle opens with one-quarter turn counter-clockwise.

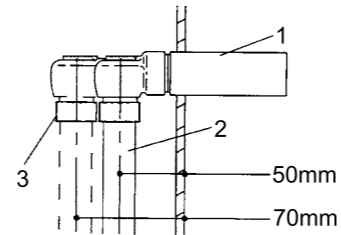
ROUGH-IN DIMENSIONS



INSTALLATION - Yoke

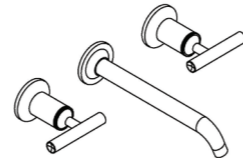
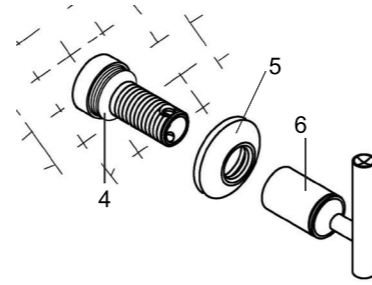
NOTE: Do not remove guards(1) at this point.

Connect the G1/2" water supply pipes(2) to the supply yoke(3) so that the water supplies will be between 50mm and 70mm from the finished wall. Make sure the left supply pipe is the hot water supply and is connected to the end with the red mark.



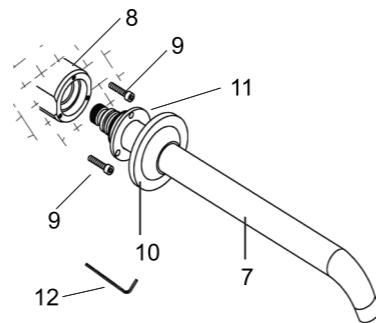
INSTALLATION - Escutcheons and handles

- 1.) Remove and discard the guards after the finished wall has been completed.
- 2.) Screw the escutcheons(5) to the valve bodies(4) until the escutcheons are against the wall.
- 3.) Screw the handle kits(6) to the valve bodies until the handle kits are against the escutcheons. NOTE: Ensure the handle kit with the red washer is on the left when facing the front of the basin set.
- 4.) The configuration shown is the correct position of the handles in the closed position.



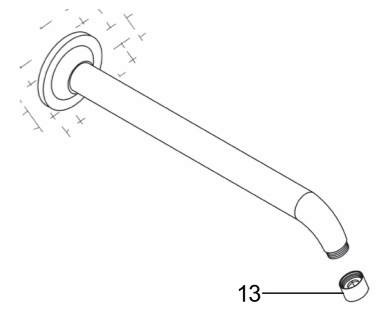
INSTALLATION - Spout

- 1.) Remove and discard the guard from the spout(7).
- 2.) Thread the spout onto the spout connector(8).
- 3.) Adjust the flange(11) and tighten the screws(9) with the hex wrench(12) to secure the spout. Push the escutcheon(10) against the wall and ensure the mark of "KOHLER" faces upwards



INSTALLATION CHECKOUT

- 1.) Ensure that all connections are tight. Ensure that the handles are in the off position.
- 2.) Open the drain, turn on the main water supply and check for leaks. Repair as needed.
- 3.) Remove the aerator(13). Turn on the tap handles and run the water through the spout for about one minute to remove any debris. Remove any debris from the aerator. Shut off the tap handles. Reinstall the aerator.



CLEANING INSTRUCTIONS

All Finishes: Clean the finish with mild soap and warm water. Wipe entire surface completely dry with a clean soft cloth. Many cleaners may contain such chemicals as ammonia, chlorine, toilet chemicals etc. which could adversely affect the finish and are not recommended for cleaning. Do not use abrasive cleaners or solvents on Kohler fittings.