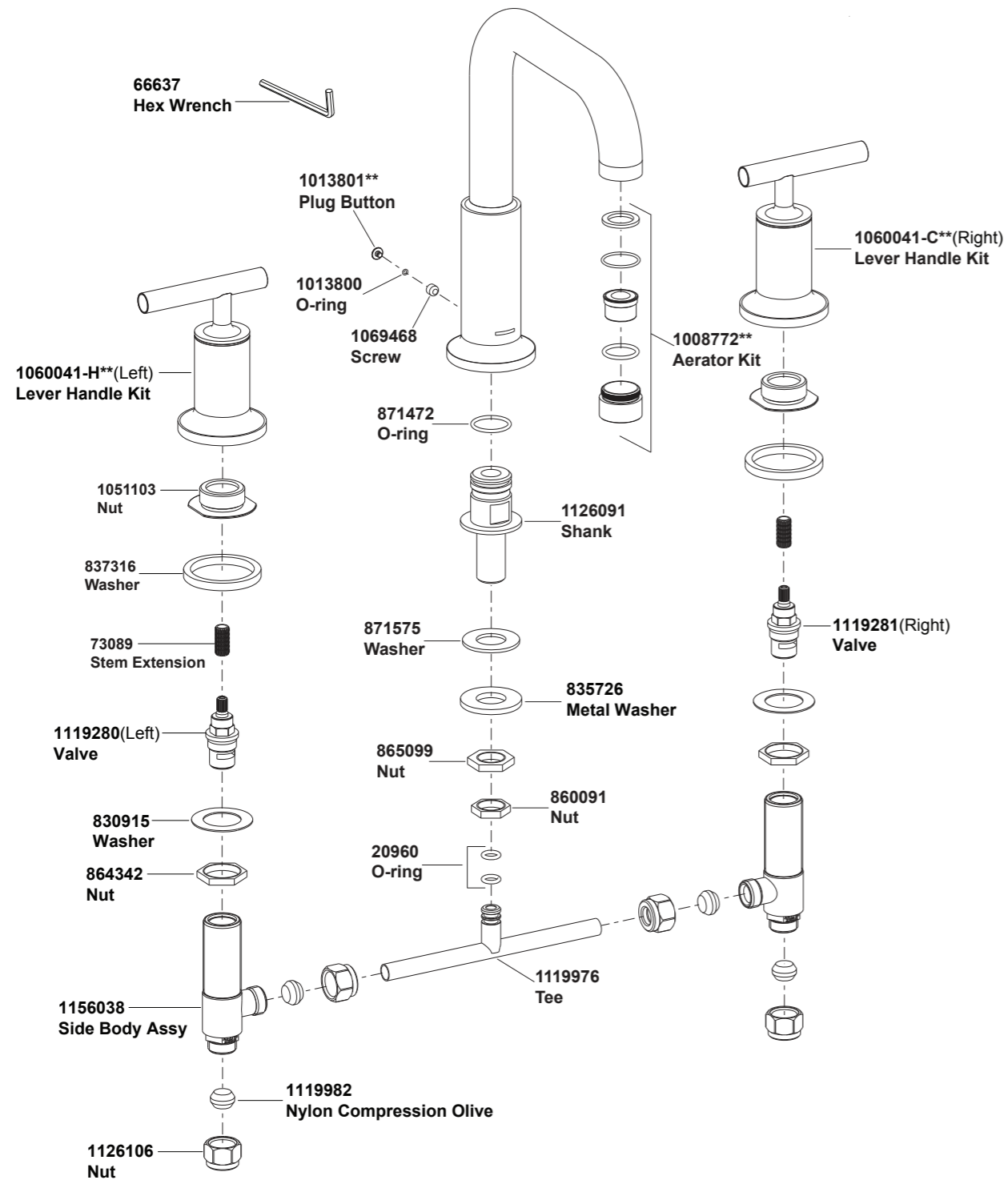


14428A-4



\*\*Color code must be specified when ordering

14428A-4

**BEFORE YOU BEGIN**

All information is based on the latest product information available at the time of publication. Kohler Co. reserves the right to make changes in product characteristics, packaging, or availability at any time without

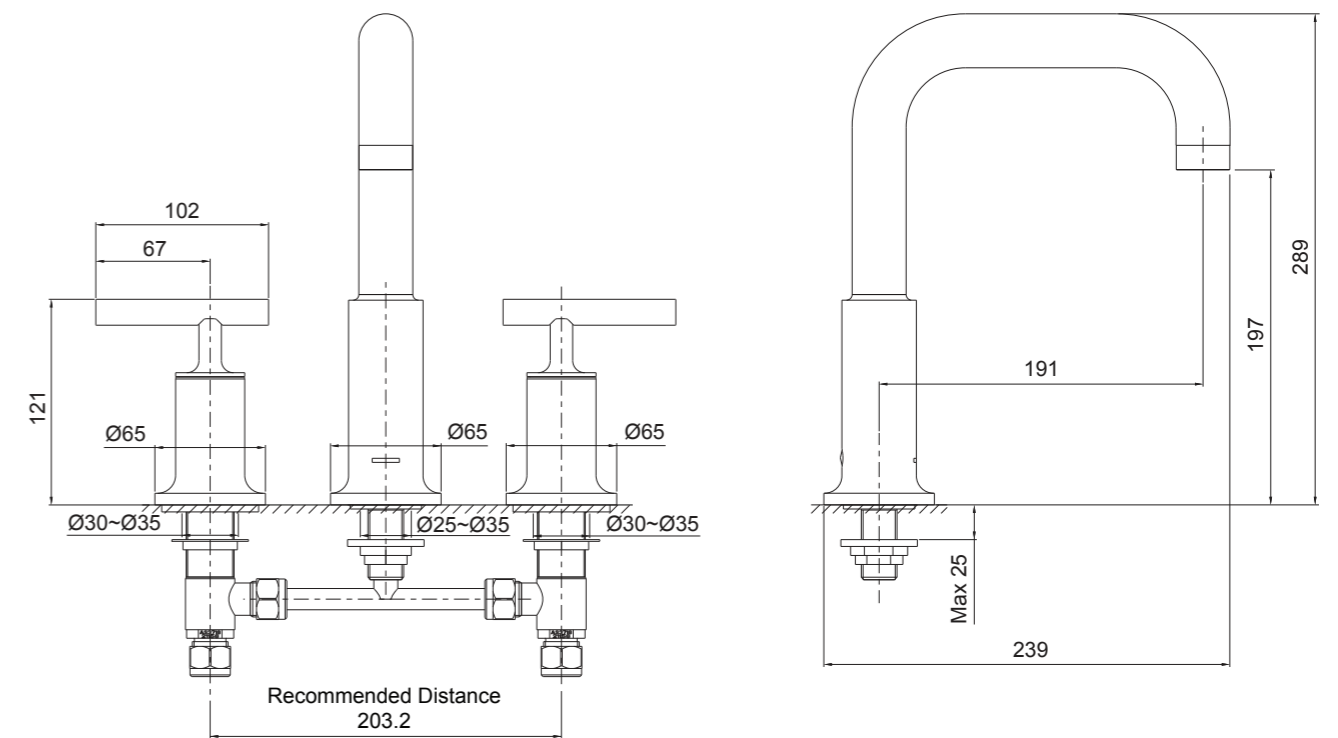
**Please leave these instructions for the consumer. They contain important information.**

1. Flush the water supply pipes thoroughly to remove any debris.
2. An in line water filter must be used with this product.
3. Inspect the supply pipes for damage. Replace and maintain as necessary.
4. Observe local plumbing codes.
5. Recommended working pressure: 100KPa to 500KPa.
6. Maximum working pressure: 800KPa.
7. All installations should comply with the relevant requirements of AS/NZS 3500.

**HANDLE OPERATION**

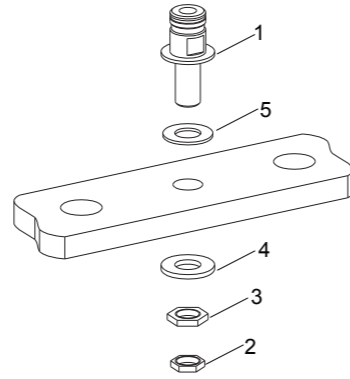
Left handle opens with one-quarter turn counter-clockwise.  
Right handle opens with one-quarter turn clockwise.

**ROUGH-IN DIMENSIONS**



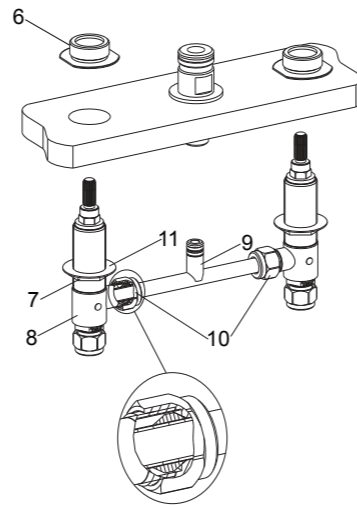
## INSTALLATION - Spout shank

- 1.) Remove the parts from the shank(1) and retain them according to the following order: the nut(2), the nut(3) and the metal washer(4).
- 2.) Retain the foam washer(5) to the shank, then insert the shank into the center hole of the deck or bath tub.
- 3.) From underside of the deck or bath tub, install the metal washer(4), nut(3) and nut(2). Use a wrench to tighten nut(3), then tighten nut(2).



## INSTALLATION - Side bodies

- 1.) Remove the collars(6) from the side bodies(8). Trim the tee-piece(9) to suit the deck or bath tub hole centres. Loosen the nuts(10) on the side bodies, and assemble the tee-piece to the side bodies. Tighten the nuts(10) by hand.
- 2.) Insert the side bodies with the washers(11) and the nuts(7) through the mounting holes from underside of the deck or bath tub (The side body with the red dot should be on the left when facing the front of the bath set), and locate the tee-piece onto the spout shank.
- 3.) If the tee-piece cannot be inserted into the shank, you can loosen the nuts(10) by hand, and adjust the tee-piece position. Then tighten the nuts(10) with a wrench.
- 4.) Install the collars(6) onto the side bodies. Tighten the nuts(7) with a wrench.
- 5.) Attach the water supplies to the valve bodies. Hot water to left valve body, cold water to right valve body.



## INSTALLATION - Handles & Spout

- 1.) Install the foam washers(15) to the bottom of the handle kits(12). Press the handle kits(12) onto the valve stems(16) and tighten them until they contact the deck as shown in Fig.1.

NOTE: The handle kit with red washer should be installed on the left.

- 2.) Insert the spout(18) to the shank until it contacts the deck. Tighten the screw(13) with the hex wrench(17), then insert the plug button(14) into the rear hole.

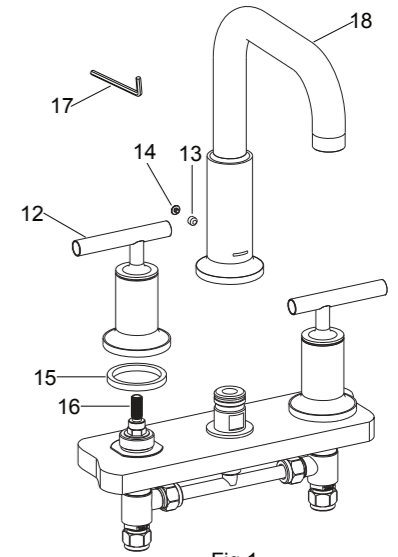


Fig.1

- 3.) Fig.2 shows the correct position for the installed spout and handles when closed.

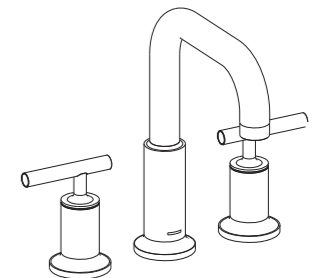
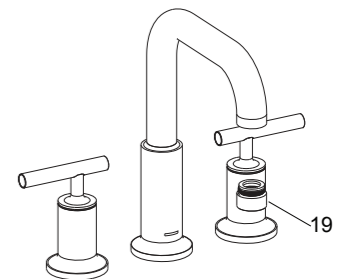


Fig.2

## INSTALLATION CHECKOUT

- 1.) Ensure that all connections are tight. Ensure that the handles are in the off position.
- 2.) Turn on the drain and main water supply, and check for leaks. Repair as needed.
- 3.) Remove the aerator(19). Turn on the tap handles. Run the water through the spout for about one minute to remove any debris. Remove any debris from the aerator. Shut off the tap handles. Reinstall the aerator.



## CLEANING INSTRUCTIONS

All Finishes: Clean the finish with mild soap and warm water. Wipe entire surface completely dry with a clean soft cloth. Many cleaners may contain such chemicals as ammonia, chlorine, toilet chemicals etc. which could adversely affect the finish and are not recommended for cleaning. Do not use abrasive cleaners or solvents on Kohler fittings.