

Kitchen Mixer: 14597A-4

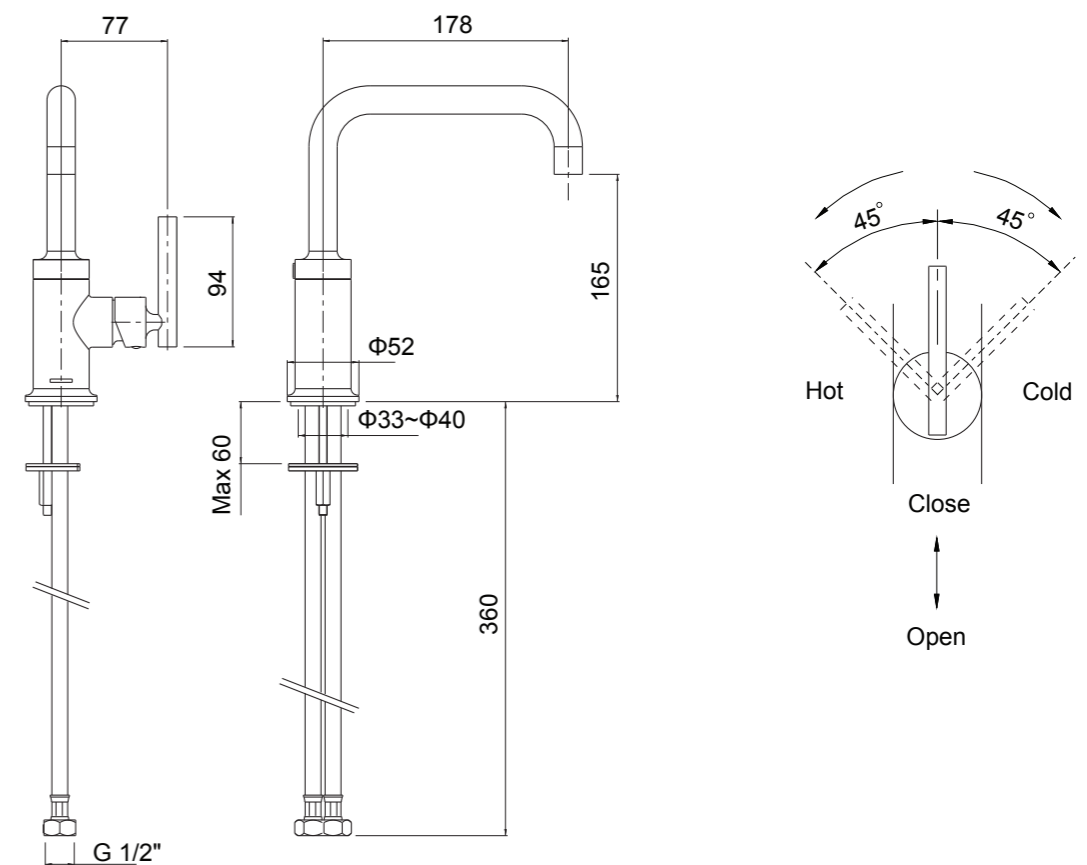
BEFORE YOU BEGIN

All information is based on the latest product information available at the time of publication. Kohler Co. reserves the right to make changes in product characteristics, packaging, or availability at any time without

Please leave these instructions for the consumer. They contain important information.

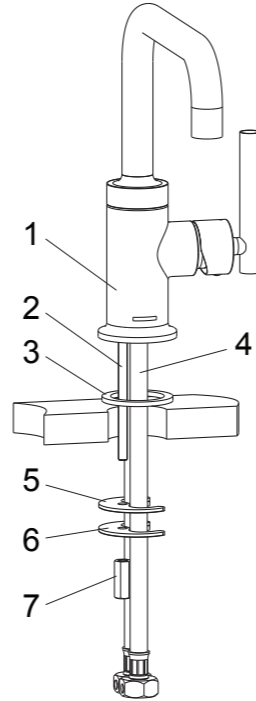
1. Flush the water supply pipes thoroughly to remove any debris.
2. An in line water filter must be used with this product.
3. Inspect the supply pipes for damage. Replace as necessary.
4. Observe local plumbing codes.
5. If possible, install this basin set before installing the basin.
6. Recommended working pressure: 100KPa to 500KPa.
7. Maximum working pressure: 800KPa.
8. All installations should comply with the relevant requirements of AS/NZS 3500 and AS/NZS 6400.

ROUGH-IN DIMENSIONS



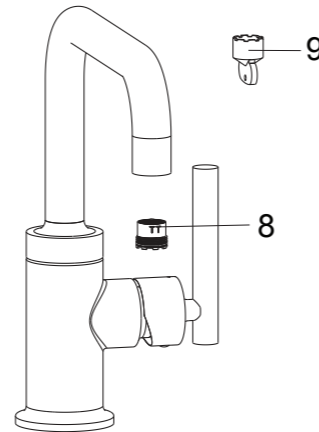
INSTALLATION

- 1.) Screw the stud(2) into the thread hole on the bottom of the tap body(1).
- 2.) Slide the washer(3) over the flexible hoses(4) and stud(2), and place into the groove on the bottom of the tap body.
- 3.) Position the tap assembly into the pre-drilled hole in the deck. From the underside of the basin, fit the bracket(6), rubber washer(5) and nut(7) onto the stud and loosely tighten.
- 4.) Position the tap on the basin. Once aligned properly, tighten the nut firmly using a wrench.
- 5.) Fasten the G 1/2 hose fittings to the water supplies. The hoses will be identified with red and blue stickers. Refer to the rough-in for proper hot and cold tap operation.



INSTALLATION CHECK

- 1.) Ensure that all coupling nuts are fastened securely.
- 2.) Ensure the handle is in the off position.
- 3.) Turn on the main water supply. Check for leaks and repair as needed.
- 4.) Remove the aerator(8) using the key(9).
- 5.) Turn the tap on and flush hot and cold water through the spout for about one minute to remove any debris. Re-check for leaks and repair as needed.
- 6.) Remove any debris from the aerator and reinstall the aerator.



CLEANING INSTRUCTIONS

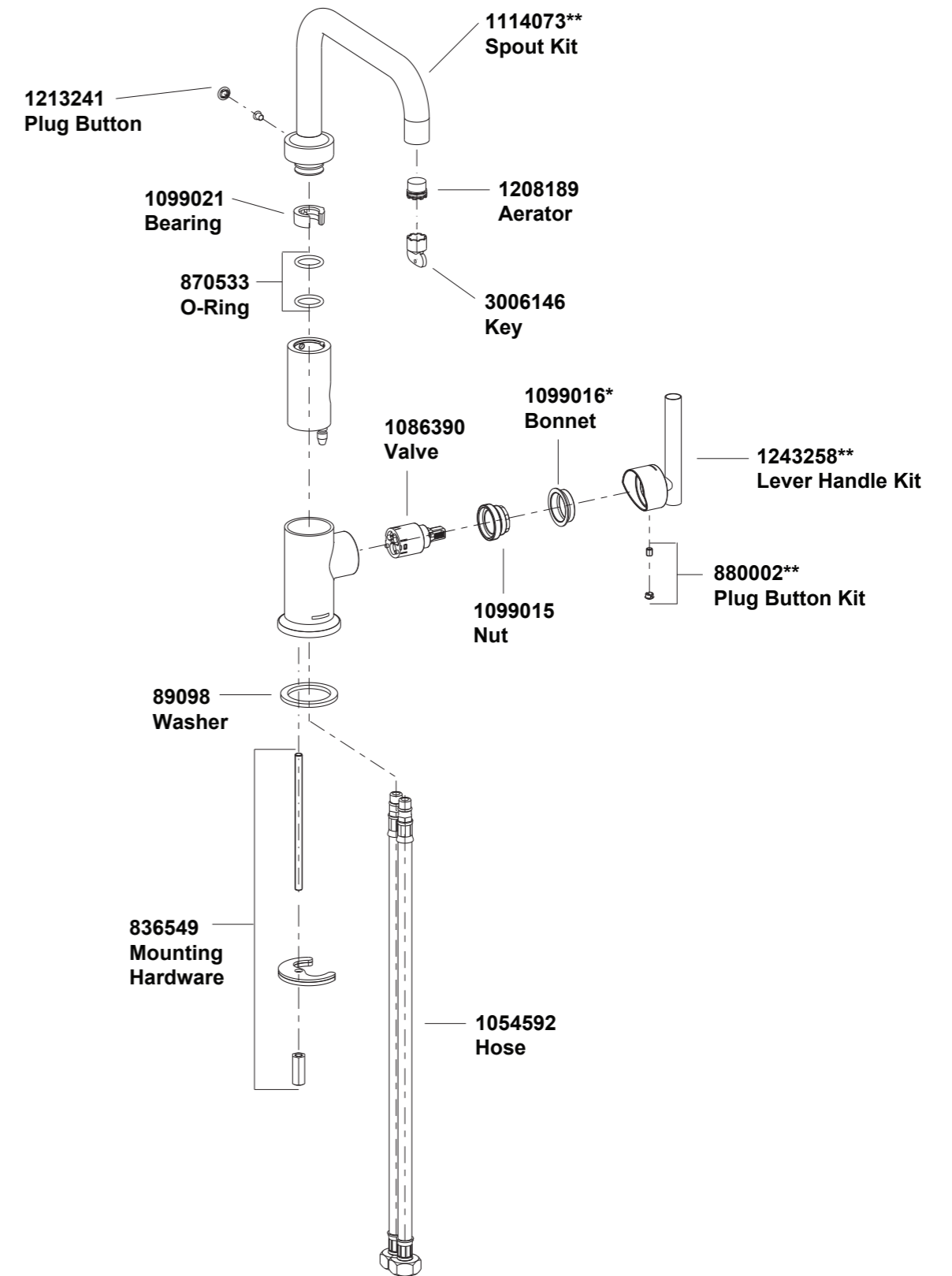
All Finishes: Clean the finish with mild soap and warm water. Wipe entire surface completely dry with a clean soft cloth. Many cleaners may contain such chemicals as ammonia, chlorine, toilet chemicals etc. which could adversely affect the finish and are not recommended for cleaning. Do not use abrasive cleaners or solvents on Kohler fittings.

KOHLER®

INSTALLATION INSTRUCTIONS

KITCHEN TAPWARE
PURIST
Hob Mount Single Lever Mixer

Kitchen Mixer: 14597A-4



**Color code must be specified when ordering