

Shower/Bath Mixer: **15578A**
 Shower/Bath Mixer with diverter: **15577A**

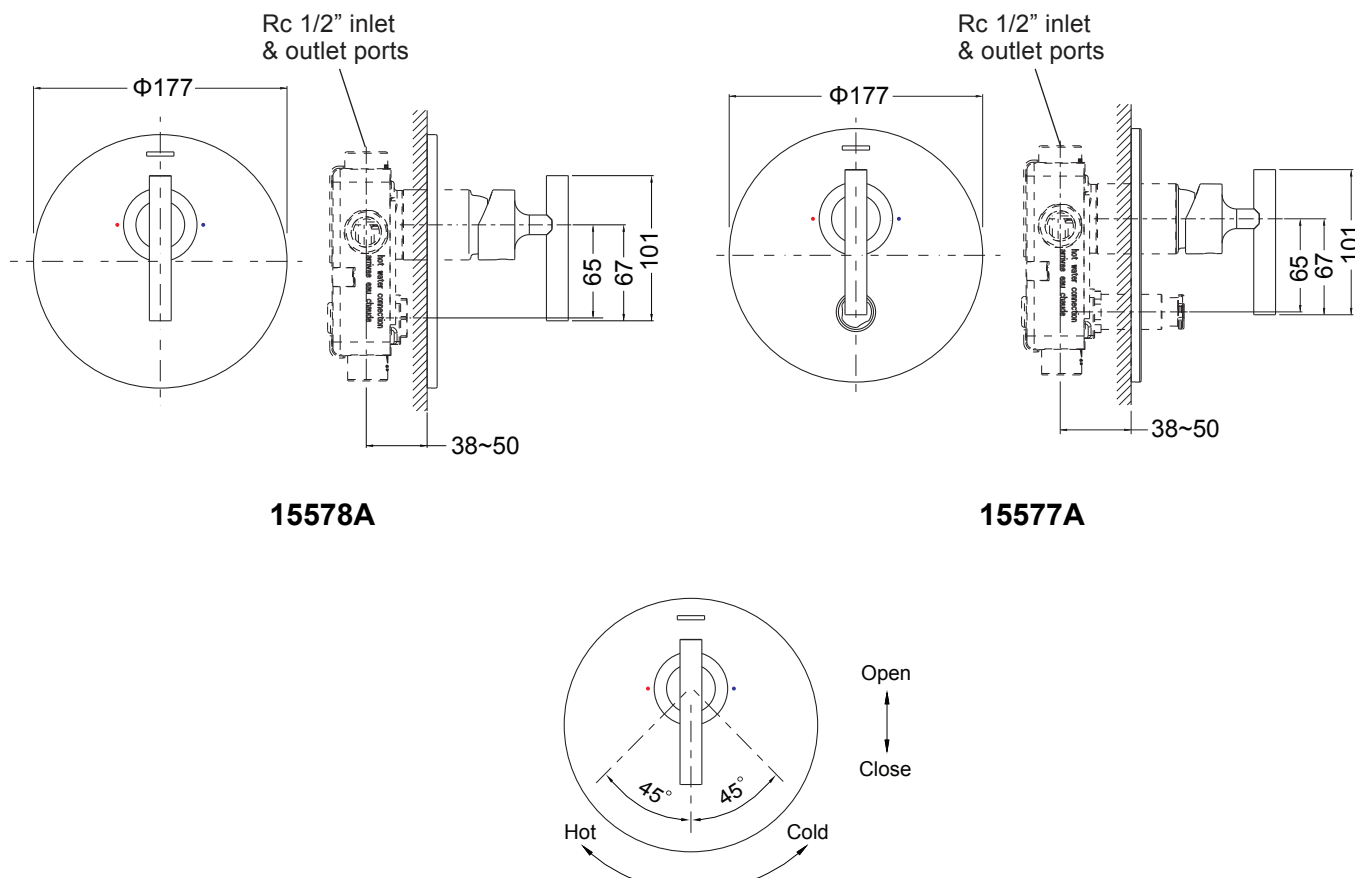
BEFORE YOU BEGIN

All information is based on the latest product information available at the time of publication. Kohler Co. reserves the right to make changes in product characteristics, packaging, or availability at any time without

Please leave these instructions for the consumer. They contain important information.

1. Flush the water supply pipes thoroughly to remove any debris.
2. An in line water filter must be used with this product.
3. Inspect the supply pipes for damage. Replace as necessary.
4. Observe local plumbing codes.
5. If possible, install this basin set before installing the basin.
6. Recommended working pressure: 100KPa to 500KPa.
7. Maximum working pressure: 800KPa.
8. All installations should comply with the relevant requirements of AS/NZS 3500.

ROUGH-IN DIMENSIONS

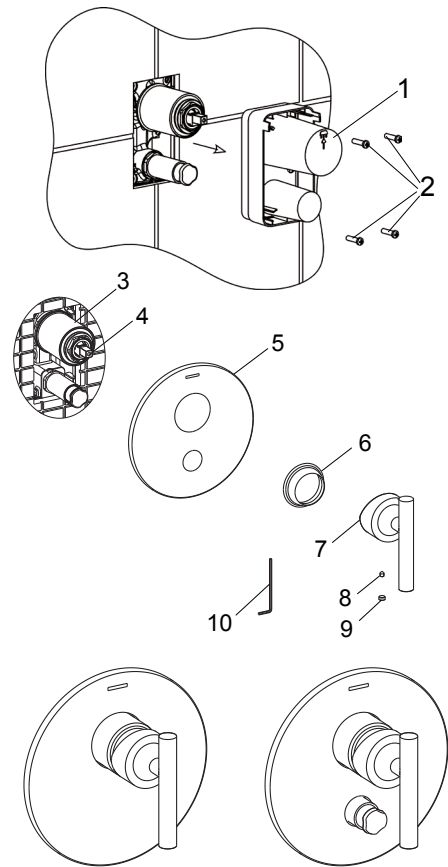


INSTALLATION

Note: Install valve 880A according to the rough-in dimensions of 15578A-4. Install valve 882A according to the rough-in dimensions of 15577A-4. For additional valve installation instructions refer to the 40mm valve install guide (1071635-AN2)

- 1.) After the finished wall has been completed, loosen the screws(2) and remove the plastic guard(1).
- 2.) Slide the faceplate(5) against the wall.
- 3.) Screw the bonnet(6) onto the valve.
- 4.) Install the handle(7) onto the valve stem(4). Tighten the screw(8) with the hex wrench(10). Press plug button(9) into the hole.

The illustration shown is the correct position of the handle in the closed position.



CLEANING INSTRUCTIONS

All Finishes: Clean the finish with mild soap and warm water. Wipe entire surface completely dry with a clean soft cloth. Many cleaners may contain such chemicals as ammonia, chlorine, toilet chemicals etc. which could adversely affect the finish and are not recommended for cleaning.

Do not use abrasive cleaners or solvents on Kohler fittings.

SPARE PARTS

