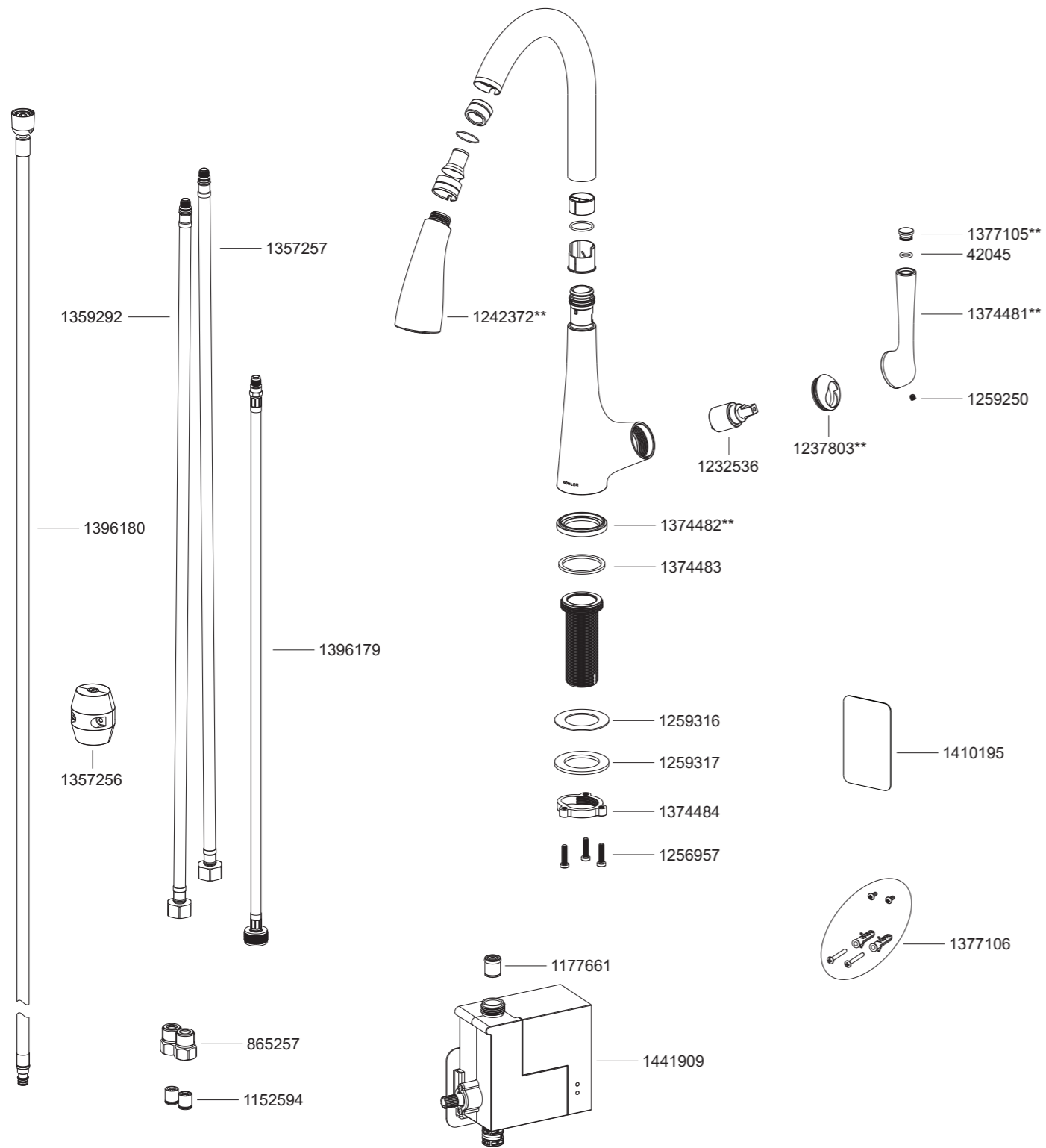


77748T-ZZ Touchless Kitchen Faucet



**Colour code (Polished Chrome-CP, Vibrant Stainless-VS, Matte Black-BL) must be specified when ordering.

77748T-ZZ Touchless Kitchen Faucet

BEFORE YOU BEGIN

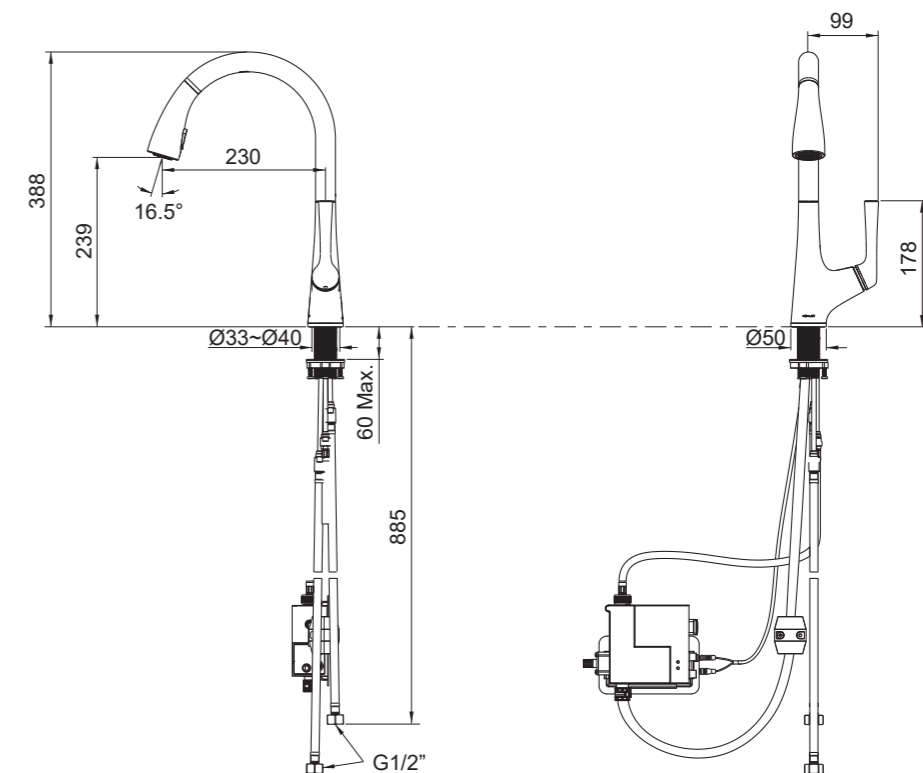
All information is based on the latest product information available at the time of publication. Kohler Co. reserves the right to make changes in product characteristics, packaging or availability at any time without notice.

Please leave this installation guide for the consumer as it contains important information.

Notes:

1. Flush the water supply pipes thoroughly to remove debris.
2. For new installation, assemble the faucet to the sink before installing the sink.
3. The faucet spout contains a magnet. Do not allow items susceptible to electromagnetic damage to come into close proximity to the spout.
4. **Risk of drinking water contamination.** The faucet contains two sets of check valves for backflow protection. Do not remove them.
5. The faucet contains sensitive electronic components. Do not store open containers of chemical or cleaning products near this product.
6. Before installation, make sure the cabinet area under the sink can accommodate all of the required components.
7. The faucet is designed to work under equal mains pressure.
8. The maximum working pressure for sprayhead is 500kPa. If it exceeds 500kPa, a pressure limiting valve must be fitted.
9. The highest water and environment temperature is 60 °C.
10. All installations must comply with local plumbing codes and relevant requirements of AS/NZS 3500 and AS/NZS 6400.

ROUGH-IN DIMENSIONS



* All dimensions are in millimeters.

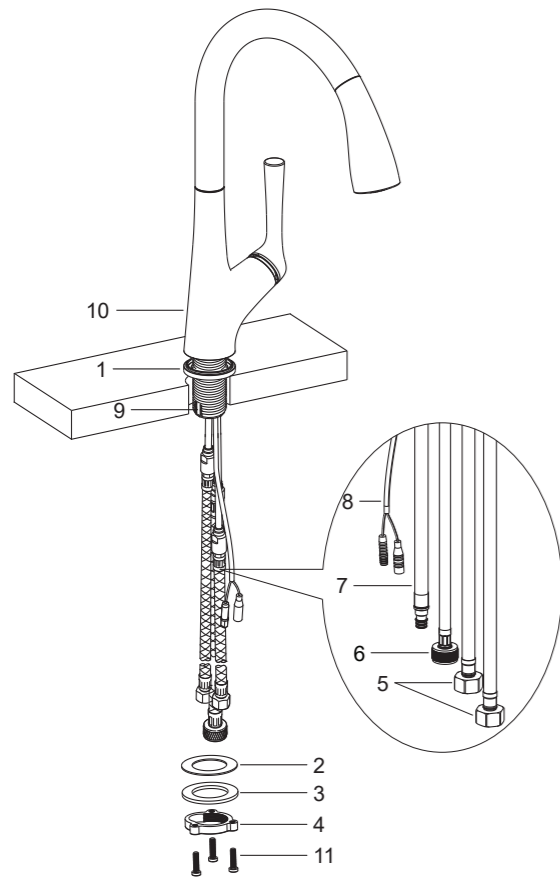
INSTALLATION

Install the faucet

Notes:

- Handle orientation is designed to be on the right.
- For thin gauge stainless steel sinks, consider installing plywood support (not supplied) between the washer (2,3) and sink.

1. Install the base (1) to the faucet with foam side down.
2. Insert the faucet into the mounting hole from upside of the sink with handle on the right.
3. Pre-install the screws (11) to the threaded ring (4).
4. Slide the washer (2,3) and threaded ring (4) over the hoses (5,6,7) and cable (8) in sequence and up to the shank.
5. Thread the ring (4) onto the shank until the washer (2,3) contacts the underside of the sink.
6. Make sure that the faucet is positioned correctly.
7. Tighten the screws (11) securely.

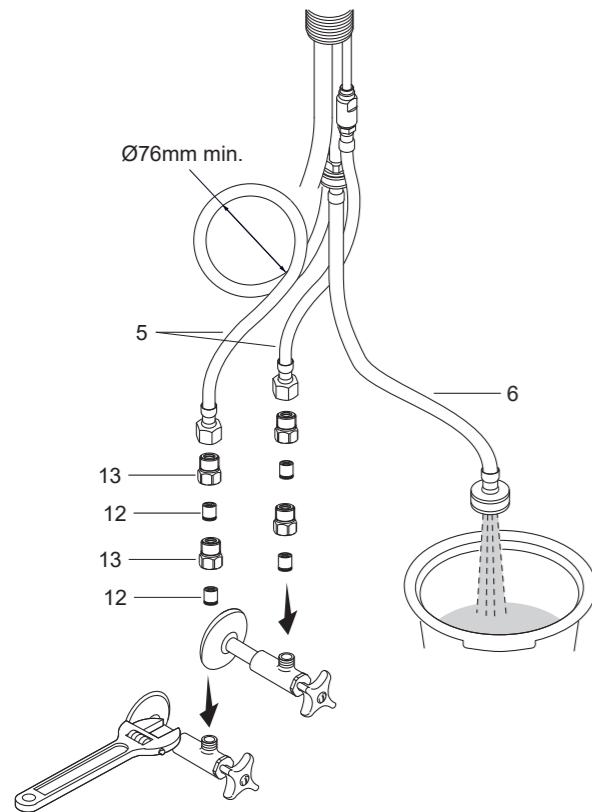


Connect the hose

Caution:

- Water supply hose (5) must not be taut, kinked or twisted during installation. If the supply hose must be coiled, maintain an inside diameter of at least 76mm.

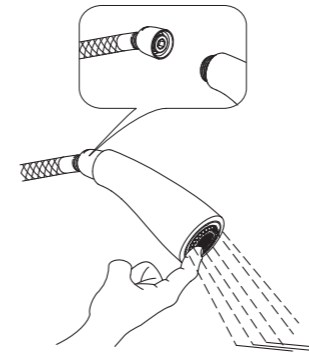
1. Connect 2 sets of check valves (12) & brass connectors (13) to the HOT & COLD Water Supplies.
2. Connect water supply hoses (5) to the brass connectors.
3. Place a bucket under the outlet hose (6).
4. Turn on the water supplies.
5. Flush hot and cold water into the bucket for 1 minute to remove any debris.



CARE AND MAINTENANCE

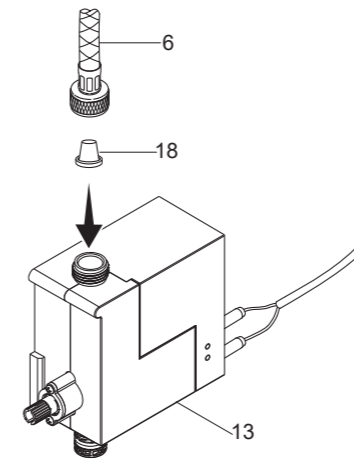
Clean the Screen Washer in the Spray Head

1. Turn the handle to the CLOSE position.
2. Disconnect the spray head at the end of the spray hose.
3. Clean the screen washer inside the spray head.
4. Reconnect the spray head back to the spray hose.
5. With the water running, rub the nozzles to dislodge debris.



Clean the Valve Box Inlet Screen

1. Turn the handle to the CLOSE position.
2. Disconnect the outlet hose (6) from the valve box.
3. Remove and clean the inlet screen (18) from inside the valve box.
4. Reinstall the inlet screen and reconnect the outlet hose.



CLEANING INSTRUCTIONS

All Finishes

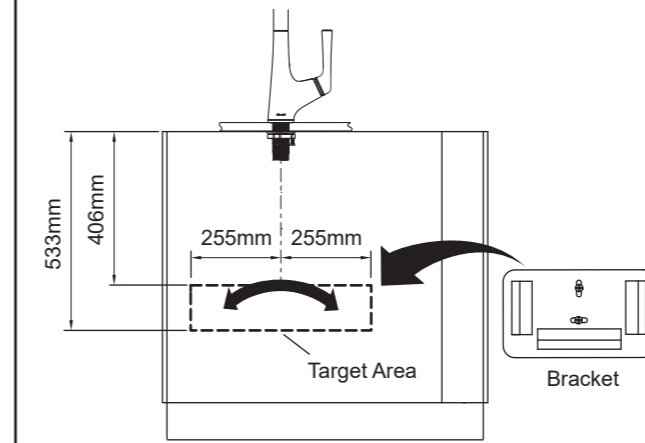
Clean the finish with mild soap and warm water. Wipe entire surface completely dry with clean soft cloth. Many cleaners may contain chemicals, such as ammonia, chlorine, toilet cleaner etc, which could adversely damage the finishes and are not recommended for cleaning.

TROUBLESHOOTING

Caution: Risk of product damage. This product contains sensitive electronic components. Use care not to damage pins and connectors during troubleshooting.

Faucet Troubleshooting Table

Symptoms	Probable Causes	Recommended Actions
1. No water flow	<p>A. The supply stops are closed.</p> <p>B. Handle is in the closed position.</p> <p>C. The hot and/or cold supply hose is kinked.</p> <p>D. The outlet hose is kinked.</p> <p>E. Battery power is low or exhausted.</p> <p>F. One or more screens are clogged.</p>	<p>A. Confirm the supply stops are open.</p> <p>B. Rotate the handle to the OPEN position. Refer to the "Operation Instruction" section.</p> <p>C. Confirm the supply hoses are not kinked. If coiled, maintain an inside diameter of minimum Ø76mm.</p> <p>D. Confirm that the mounting bracket and valve box are installed according to the requirements.</p> <p>E. Check for a red flashing LED on the valve box.</p> <p>F. Refer to the "Care and Maintenance" section.</p>
2. Low water flow	<p>A. The supply stops are partially closed.</p> <p>B. Handle is partially closed.</p> <p>C. The hot and/or cold supply hose is kinked or twisted.</p> <p>D. The outlet hose is kinked.</p> <p>E. One or more screens are clogged.</p> <p>F. Cracked diaphragm.</p>	<p>A. Confirm the supply stops are fully open.</p> <p>B. Rotate the handle to the full OPEN position. Refer to the "Operation Instruction" section.</p> <p>C. Confirm the supply hoses are not kinked or twisted. If coiled, maintain an inside diameter of minimum Ø76mm.</p> <p>D. Confirm that the mounting bracket and valve box are installed according to the requirements.</p> <p>E. Refer to the "Care and Maintenance" section.</p> <p>F. Replace the valve box assembly.</p>
3. Poor spray pattern	<p>A. The spray nozzles are clogged.</p>	<p>A. Rub your finger over the nozzles with water running to dislodge debris.</p>
4. Water drip or trickle when faucet is not in use	<p>A. Manual override is partially engaged.</p>	<p>A. Turn the manual override stem clockwise until it stops with coin, then turn it counter-clockwise until the water drip stops.</p>
5. Intermittent sensor operation	<p>A. Debris on the sensor len.</p> <p>B. Sensor is detecting steam.</p>	<p>A. Use mild soap and water to gently remove debris from the sensor len.</p> <p>B. Rotate the spout away from the steam.</p>
6. Water leaks from the valve box	<p>A. Hose connections are not secure.</p> <p>B. Internal leak.</p>	<p>A. Check all connections. Make adjustments as needed.</p> <p>B. Replace the valve box.</p>

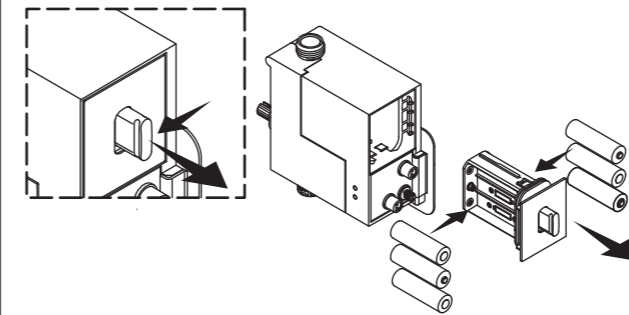


Install the Mounting Bracket

Notes:

- The mounting bracket must be installed horizontally.
- Allow adequate clearance for servicing.

1. Locate the bracket within 255mm from the faucet center-line. The bottom of the bracket should be between 406mm and 533mm below the underside of countertop.
2. Secure the bracket with provided mounting screws or 3M double sided tape.

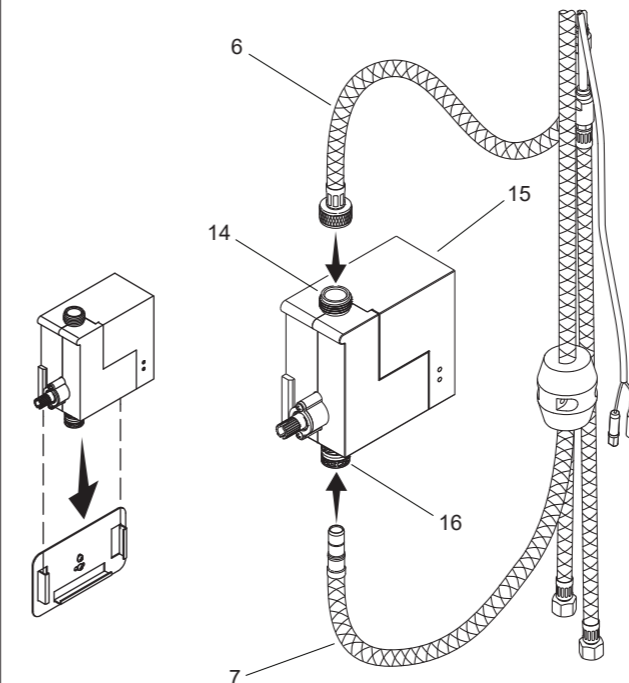


Install the Batteries

Notes:

- AA Batteries are not included in the package. They need to be purchased separately by the customer.
- Do not use rechargeable or lithium ion batteries.

1. Slide the battery holder tab forward and then out to remove the battery holder.
2. Insert six AA batteries into the battery holder.
3. Slide the battery holder back into the valve box.

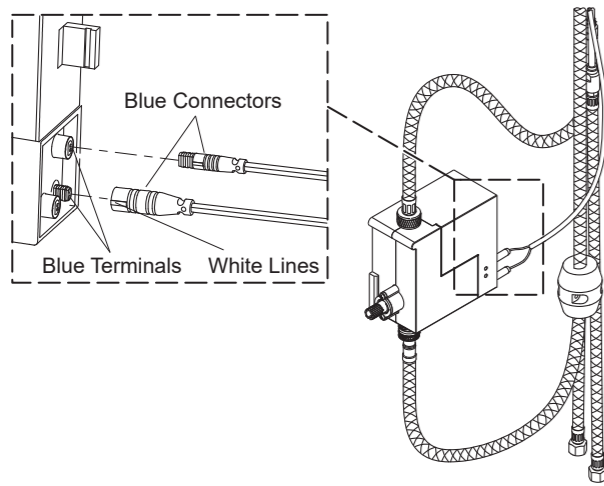


Install the Valve Box

Notes:

- The outlet hose (6) must not be taut or kinked when installed.
- Handtighten the outlet hose connector. Do not use a plier or a wrench.

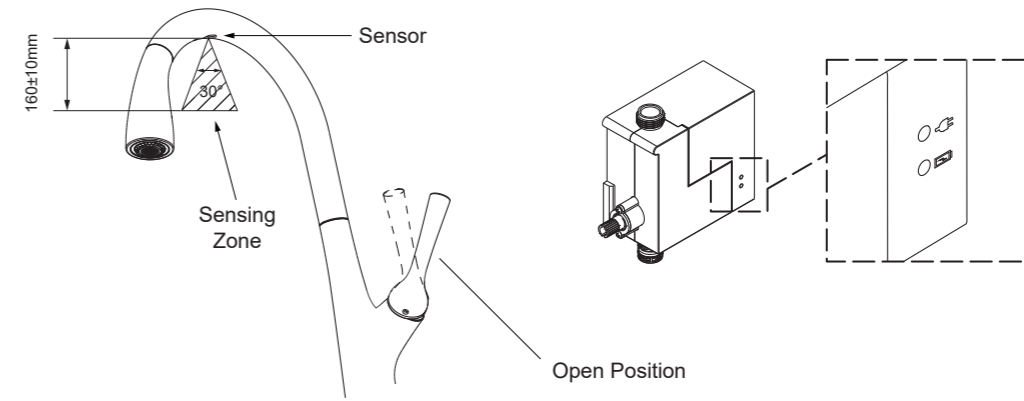
1. Thread the outlet hose onto the valve inlet (14).
2. Slide the valve box (15) into the mounting bracket.
3. Connect the spray hose (7) to the valve box outlet (16). It will click into place when the connection is secure.



Install the Cable

1. Connect the blue connectors to the terminals on the valve box. The white lines on the connectors should face the front of the valve box.
2. It will take 15 seconds to start working after all cables are connected.

OPERATION INSTRUCTION



Faucet Operation

1. Rotate the handle outward to the OPEN position.
2. Wave your hand under the spout in the sensing zone to turn the water ON.
3. Adjust the handle to the desired water temperature.
4. Wave your hand under the spout in the sensing zone to turn the water OFF.

Notes:

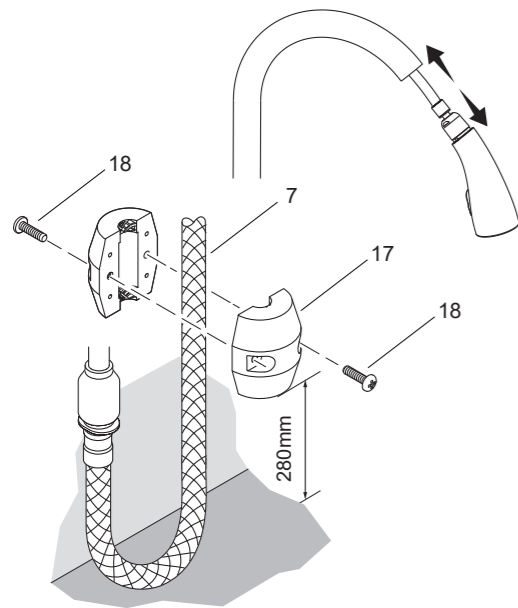
- Return the handle to the CLOSE position for extended periods of non-use.

Valve Box LED Indicators:

- Red Flashing LED: Indicates low batteries.

Features:

- Automatic shut-off: The faucet will automatically shut OFF after 4 minutes of inactivity.



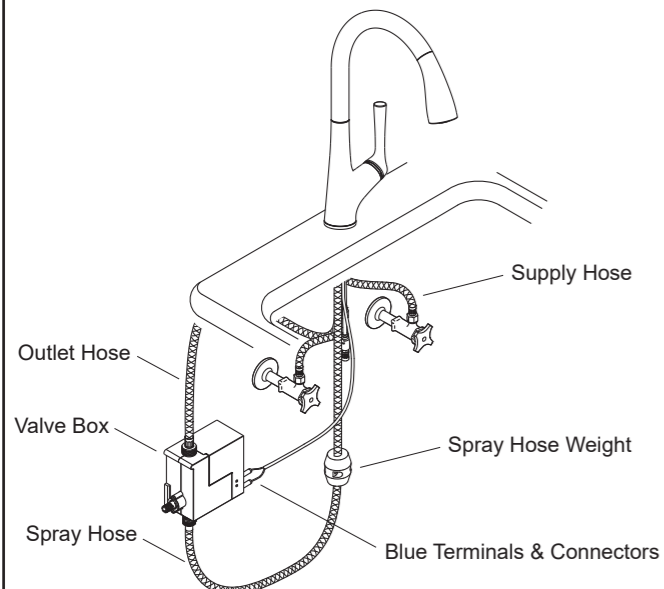
Install the Hose Weight

Notes:

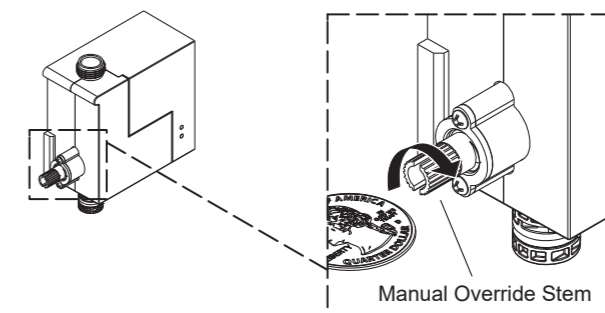
- Ensure the spray hose weight (17) would not interfere with valve box or cable connections.

1. Loosely attach the weight (17) to the spray hose (7).
2. Position the weight about 280mm from the bottom of the hose loop.
3. Secure the spray hose weight in place by tightening the two screws (18).
4. Extend and retract the spray hose to check for smooth operation.

INSTALLATION CHECKOUT



1. Ensure that all connections are tight.
2. Turn on the water supplies, and check all connections for leaks.
3. Test the faucet for proper operation. Refer to the "Faucet Operation" section.



Manual Sensor Override

1. In the event of battery power loss, the sensor function can be bypassed by engaging the manual override feature on the valve box.
2. Turn clockwise to engage the bypass and counterclockwise to disable the bypass.
3. Once the manual override is engaged, the faucet can then be operated manually.