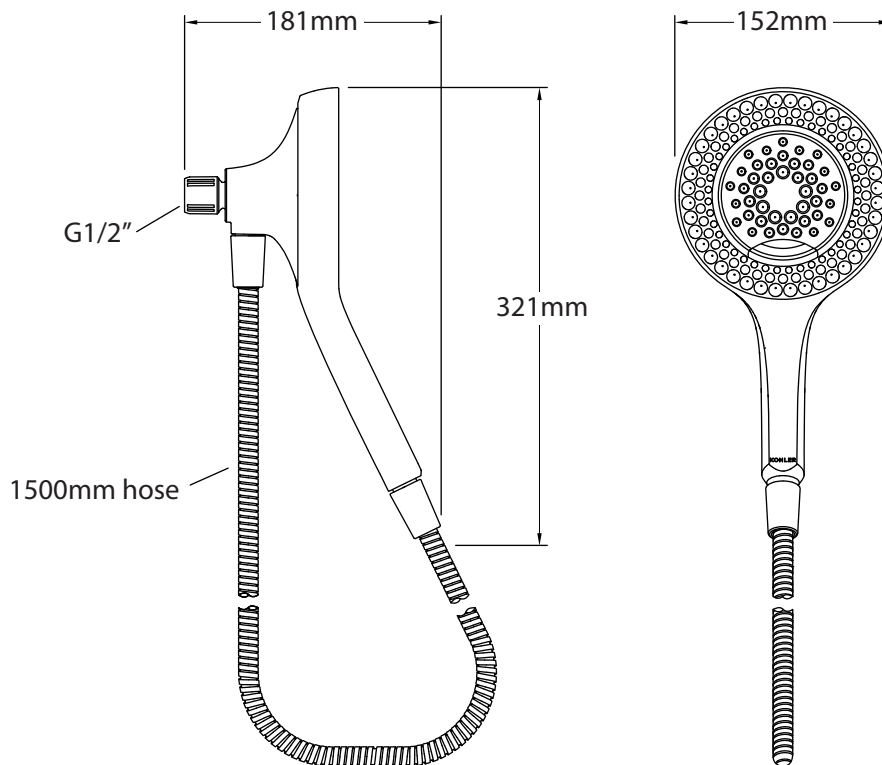


R77753A



### IMPORTANT

INSTALLER : Please leave these instructions for the consumer.

### BEFORE YOU BEGIN

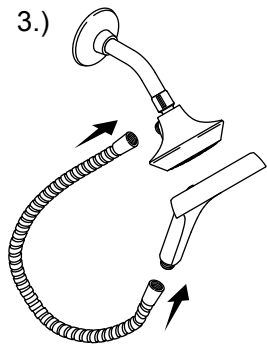
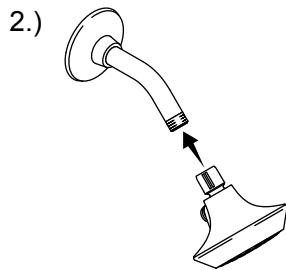
All information is based on the latest product information available at the time of publication. Kohler Co. reserves the right to make changes in product characteristics, packaging, or availability at any time without notice.

#### NOTES:

1. Flush the water supply pipes thoroughly to remove debris.
2. An in line water filter must be used with this product.
3. There is a flow controller installed in the shower head inlet. Please take care to ensure it is not damaged by the shower arm male thread during installation.
4. Recommended working pressure: 100 - 500kPa.
5. The highest working pressure for the shower head is 500kPa. If it exceeds 500kPa, a pressure reducer is required.
6. This shower head is intended for high/mains pressure installations. It may not be suitable for use with gravity-fed water heaters, low and unequal pressure supplies, instantaneous water heaters, tempering valves and thermostatic mixing valves.
7. The highest water and environment temperature is 60°C. Please keep spray head away from any heat source as it may get damaged.
8. Observe local plumbing codes.
9. All installations should comply with the relevant requirements of AS/NZS 3500 and AS/NZS 6400.

## INSTALLATION

1. Remove existing shower head from shower arm.
2. Apply appropriate thread tape or sealant to shower arm thread and install shower head.



3. Install hose to shower head and hand shower.

**NOTE:** Ensure the hose has a supplied rubber washer installed in each end.

## CHECK OUT

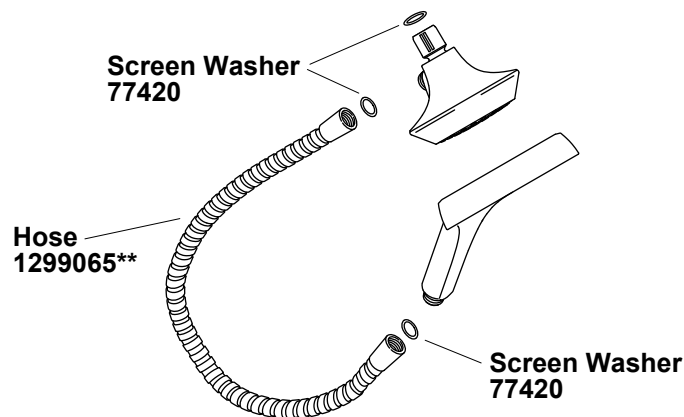
1. Check for leaks. Repair as necessary.

## CLEANING INSTRUCTIONS

**All Finishes:** Clean the finish with mild soap and warm water. Wipe entire surface completely dry with a clean soft cloth. Many cleaners may contain such chemicals as ammonia, chlorine, toilet chemicals etc. which could adversely affect the finish and are not recommended for cleaning.

**Do not use abrasive cleaners or solvents on Kohler fittings.**

## SPARE PARTS



## CONTACT DETAILS

### NEW ZEALAND

PHONE: 0800 564 537 (0800 KOHLER)

FAX: 0800 664 488

WEBSITE: [www.kohler.co.nz](http://www.kohler.co.nz)

### AUSTRALIA

PHONE: 1800 564 537 (1800 KOHLER)

WEBSITE: [www.kohler.com.au](http://www.kohler.com.au)

Please visit our website for warranty information

**KOHLER**<sup>®</sup>