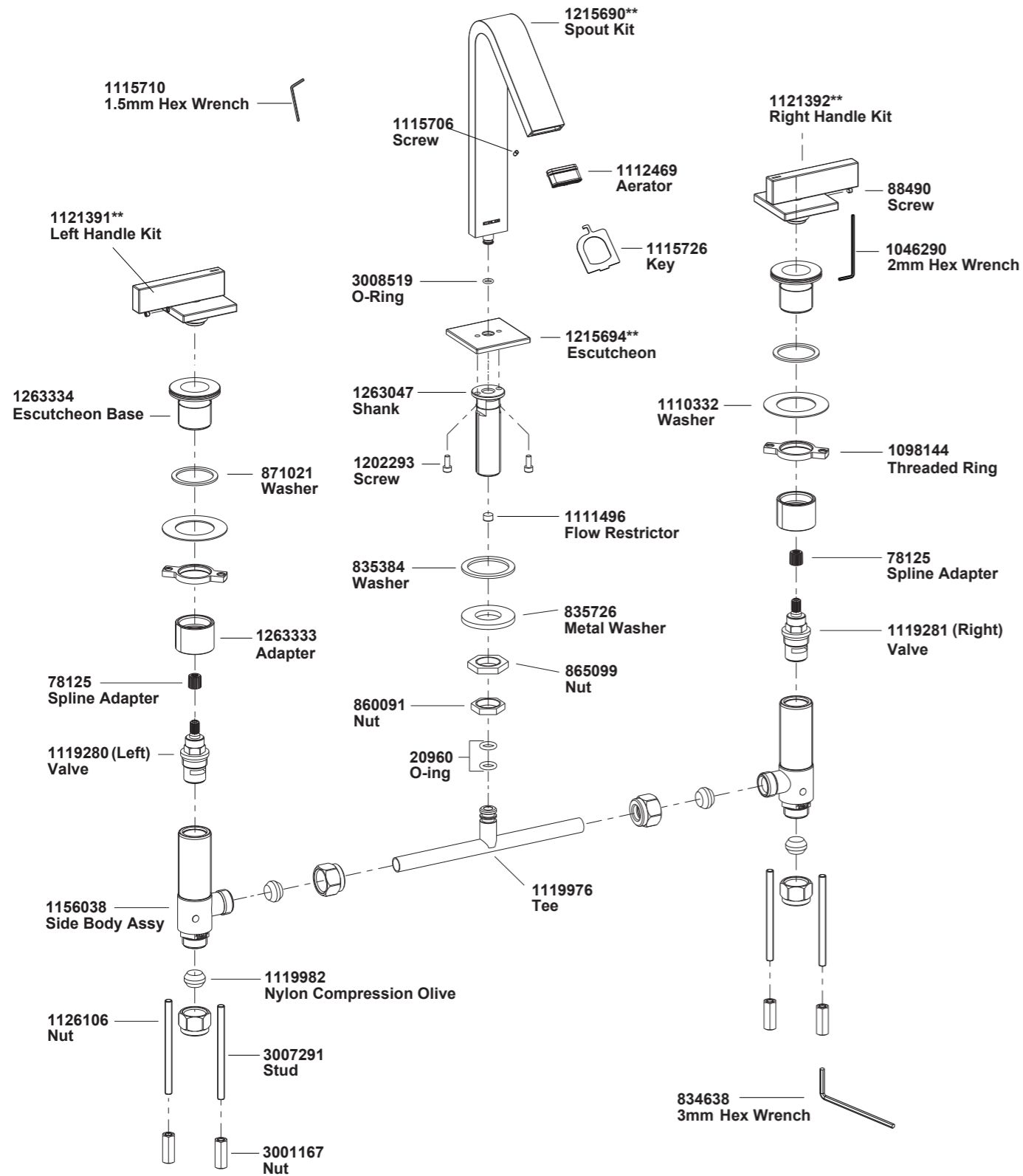


Basin Set - Deck mount: 14661A-4ND



**Color code must be specified when ordering

Basin Set - Deck mount: 14661A-4ND

BEFORE YOU BEGIN

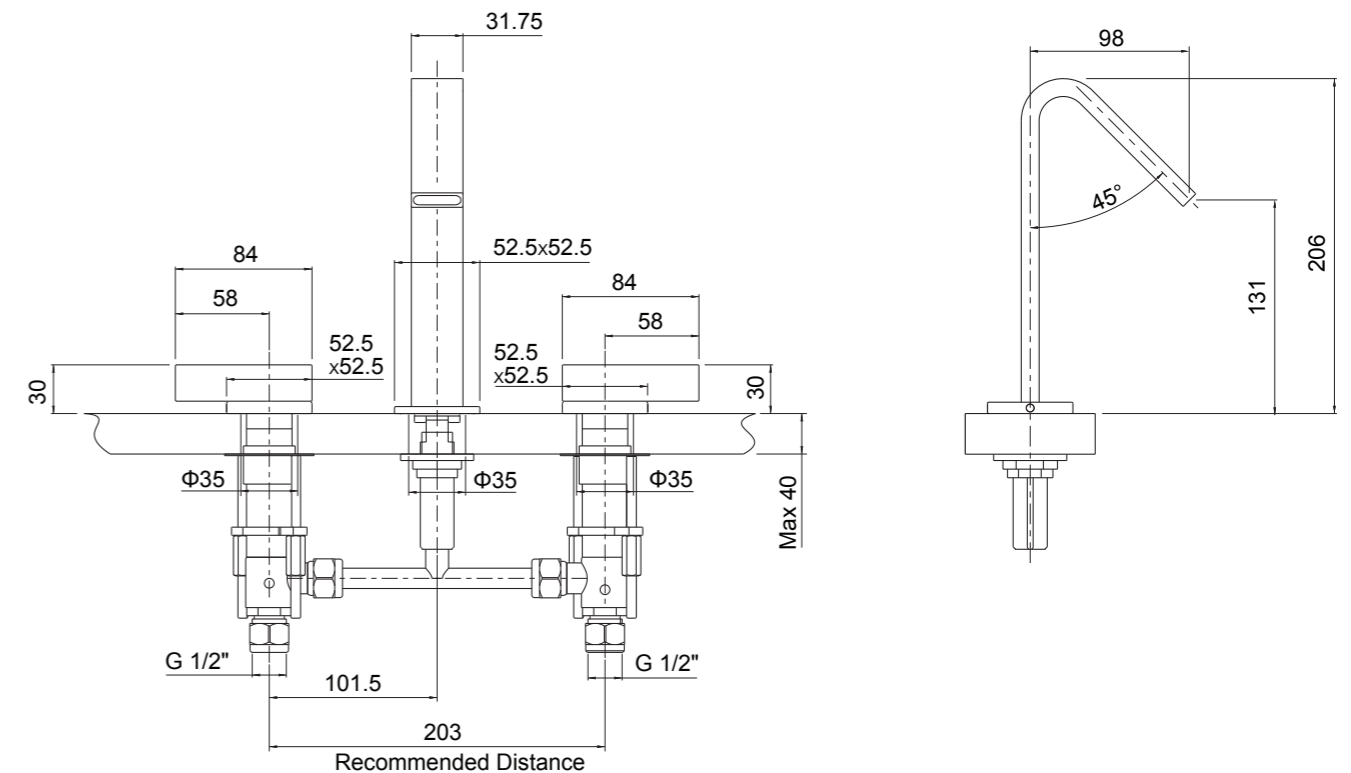
All information is based on the latest product information available at the time of publication. Kohler Co. reserves the right to make changes in product characteristics, packaging, or availability at any time without notice.

Please leave these instructions for the consumer. They contain important information.

NOTES:

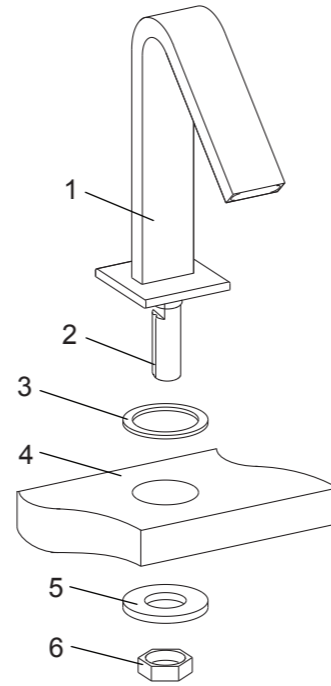
1. Flush the water supply pipes thoroughly to remove any debris.
2. An in line water filter must be used with this product.
3. Inspect the supply pipes for damage. Replace as necessary.
4. Observe local plumbing codes.
5. Check for leaks before covering the pipes, repair as needed.
6. Recommended working pressure: 100 to 500kPa.
7. Maximum working pressure: 800kPa.
8. All installations should comply with the relevant requirements of AS/NZS 3500 and AS/NZS 6400.

ROUGH-IN DIMENSIONS



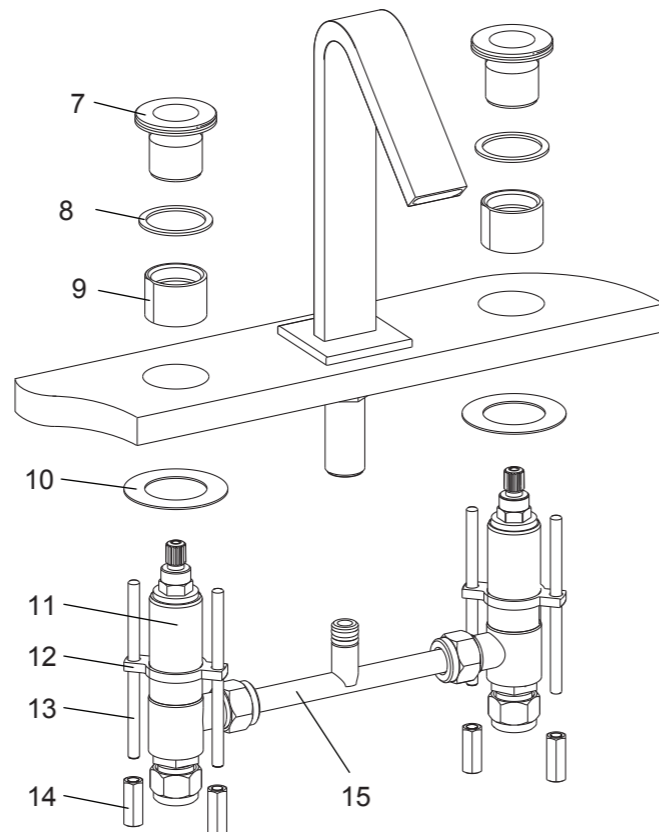
INSTALLATION - Spout

- 1). Slide the rubber washer(3) over the threaded base(2) on the bottom of the tap body(1).
- 2). Insert the threaded base(2) into the pre-drilled tap hole in the deck(4).
- 3). From the underside of the basin, fit the metal washer(5) and nut(6) onto the threaded base(2). Check the orientation of the tap and hand tighten the nut.



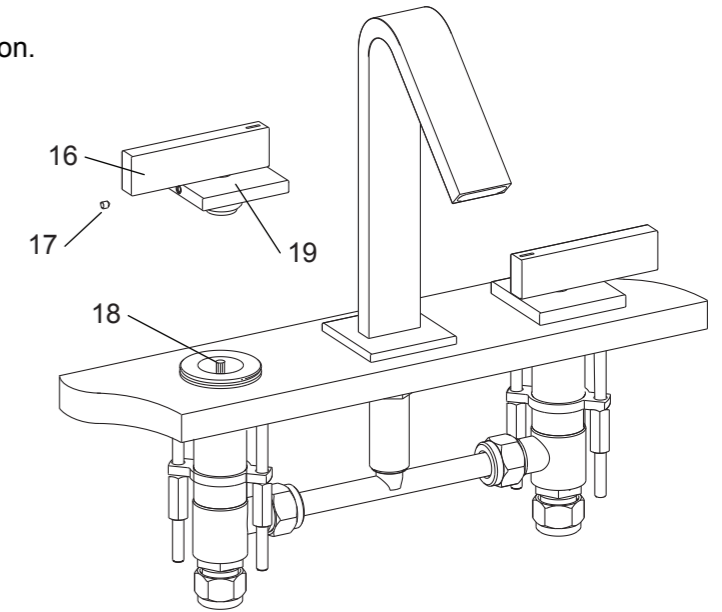
INSTALLATION - Side bodies

- 1). Place the rubber washers(8) onto the escutcheon bases(7) and insert the bases into the pre-drilled deck holes either side of the spout. Make sure the rubber washers sit nicely inside the grooves on the bases.
- 2). Place the threaded rings(12) and steel washers(10) all the way onto the side bodies(11). Screw the threaded sleeves(9) onto the top of the side bodies.
- 3). Attach the breech piece(15) to the side body outlets by loosely tightening the breech piece nuts onto the outlets. Make sure the centre pipe faces upwards.
- 4). From the underside of the deck, insert the side bodies into the deck holes making sure the centre pipe goes into the spout. (**Note:** the side body with red mark should be installed on the left side). Screw the bases tightly into the threaded sleeves on top of the the side bodies.
- 5). Tighten the breech piece nuts.
- 6). Adjust the threaded rings to the appropriate height and secure the side bodies by threading the studs(13) into the threaded rings and tightening them with the 3mm hex wrench. Tighten the nuts(14) onto the studs to lock them in place.



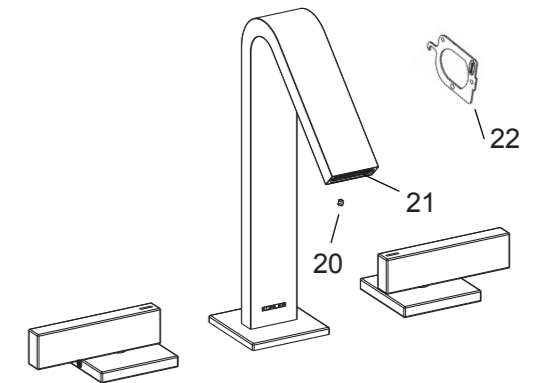
INSTALLATION - Handles

- 1). Using the handles(16), rotate the valve stems(18) so that they are both in the off position. (**Note:** Left valve off position is clockwise and right hand valve off position is anti-clockwise).
- 2). Slide the handles onto the valve stems so that they face away from the spout. (**Note:** Handle with red mark must go on the left hand side).
- 3). Rotate the handle bases(19) so that the grub screw hole in each base faces the back, and screw in the grub screws using the 2mm hex wrench to fix the handles to the side bodies.



INSTALLATION CHECKOUT

- 1). Ensure that all connections are tight and that the handles are in the off position (Horizontal as shown).
- 2). Open the drain and turn on the main water supply. Check for leaks and that everything is functioning properly. Repair as needed.
- 3). Loosen screw(20) with 1.5mm hex wrench and carefully remove the aerator(21) with key(22).
- 4). Turn on the tap and run the water through the spout for about one minute to remove any debris, then shut off the tap.
- 5). Remove any debris from the aerator. With the aerator fixing hole facing downwards, reinstall the aerator.



CLEANING INSTRUCTIONS

All Finishes: Clean the finish with mild soap and warm water. Wipe entire surface completely dry with a clean soft cloth. Many cleaners may contain such chemicals as ammonia, chlorine, toilet chemicals etc. which could adversely affect the finish and are not recommended for cleaning.

Do not use abrasive cleaners or solvents on Kohler fittings.