

July single lever basin mixer: 99189A-4ND  
July single lever basin mixer - Tall: 5241A-4ND

### BEFORE YOU BEGIN

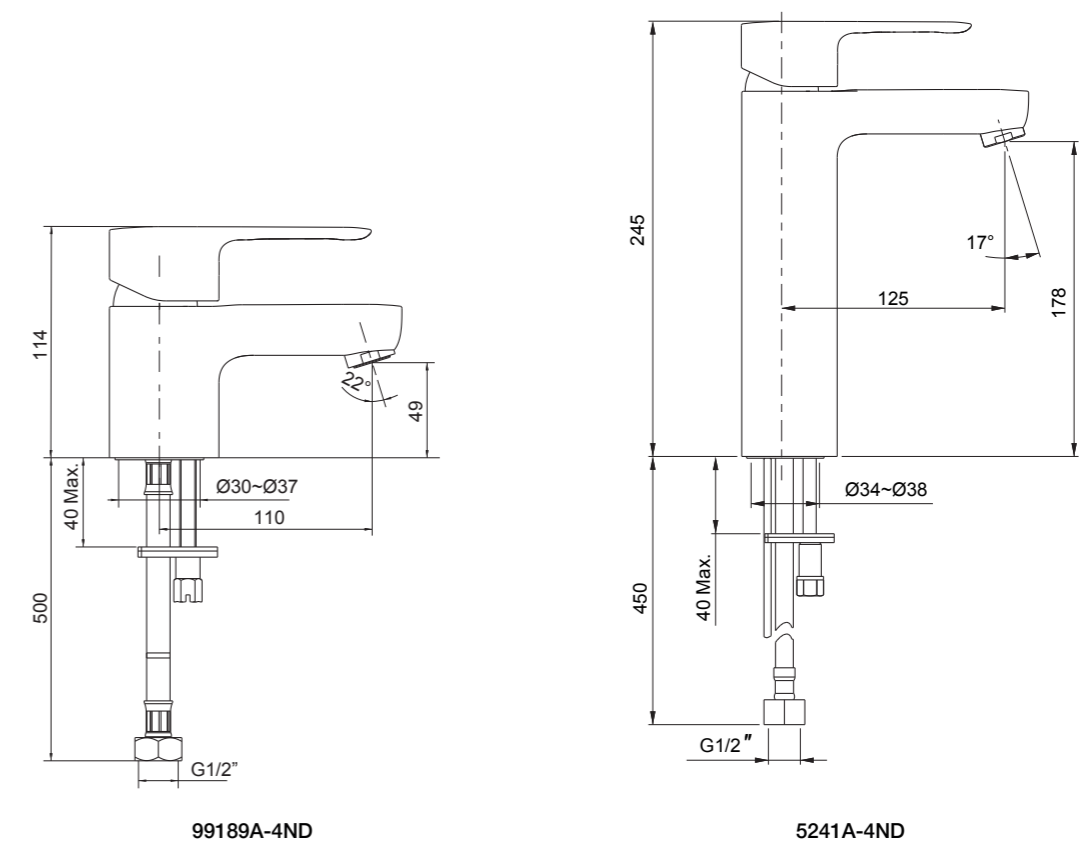
All information is based on the latest product information available at the time of publication. Kohler Co. reserves the right to make changes in product characteristics, packaging, or availability at any time without notice.

Please leave these instructions for the consumer. They contain important information.

#### NOTES:

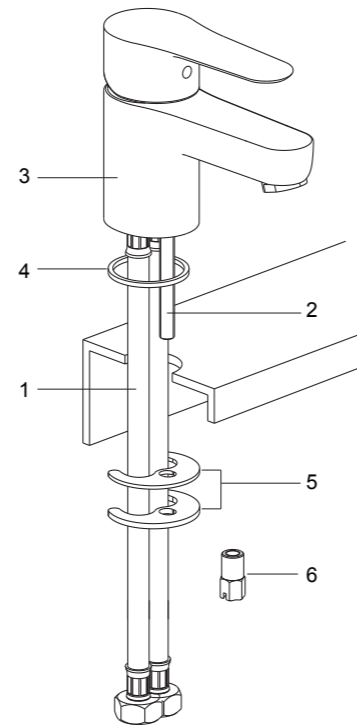
1. Flush the water supply pipes thoroughly to remove any debris.
2. An inline water filter must be used with this product.
3. If possible, install this basin set before installing basin.
4. Observe local plumbing codes.
5. Recommended working pressure: 100Kpa to 500Kpa.
6. Maximum working pressure: 800Kpa.
7. All installations should comply with the relevant requirements of AS/NZS 3500 and AS/NZS 6400.

### ROUGH-IN DIMENSIONS



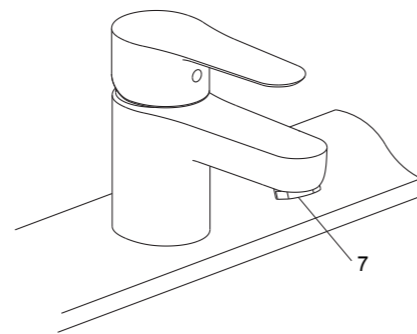
## INSTALLATION - Installing the Tap

- 1.) Install the mounting stud(2) onto the basin mixer body base(3). Slide the washer(4) over the flexible hoses(1) and mounting stud, and into the groove at the bottom of the basin mixer body.
- 2.) Insert the flexible supply hoses into the basin hole. Position the basin mixer. From underside of the basin, place the bracket(5) (Rubber washer is on the top) onto the mounting stud, and secure the basin mixer with the nut(6).
- 3.) Attach the hoses to the water supplies. The hoses are identified with red and blue stickers.



## INSTALLATION CHECKOUT

- 1.) Ensure that all connections are tight. Ensure that the handle is in the off position.
- 2.) Open the drain. Turn on main water supply and check for leaks. Repair as required.
- 3.) Remove aerator(7). Turn on the basin mixer. Run hot and cold water through spout for about one minute to remove any debris. Remove any debris from aerator. Shut off the basin mixer and reinstall aerator.

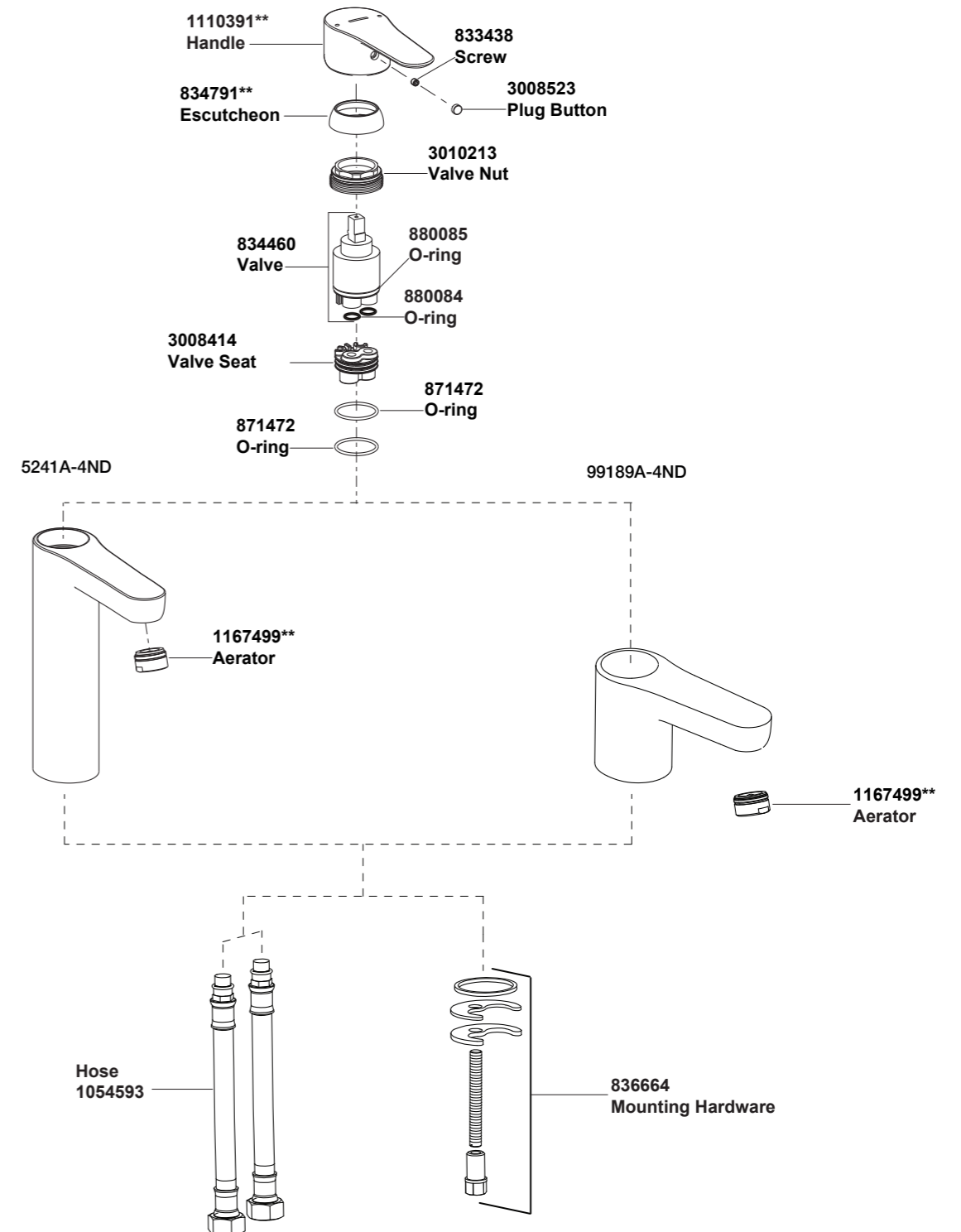


## CLEANING INSTRUCTIONS

All Finishes: Clean the finish with mild soap and warm water. Wipe entire surface completely dry with a clean soft cloth. Many cleaners may contain such chemicals as ammonia, chlorine, toilet chemicals etc. which could adversely affect the finish and are not recommended for cleaning.

**Do not use abrasive cleaners or solvents on Kohler fittings.**

July single lever basin mixer: 99189A-4ND  
July single lever basin mixer - Tall: 5241A-4ND



\*\*Color code must be specified when ordering