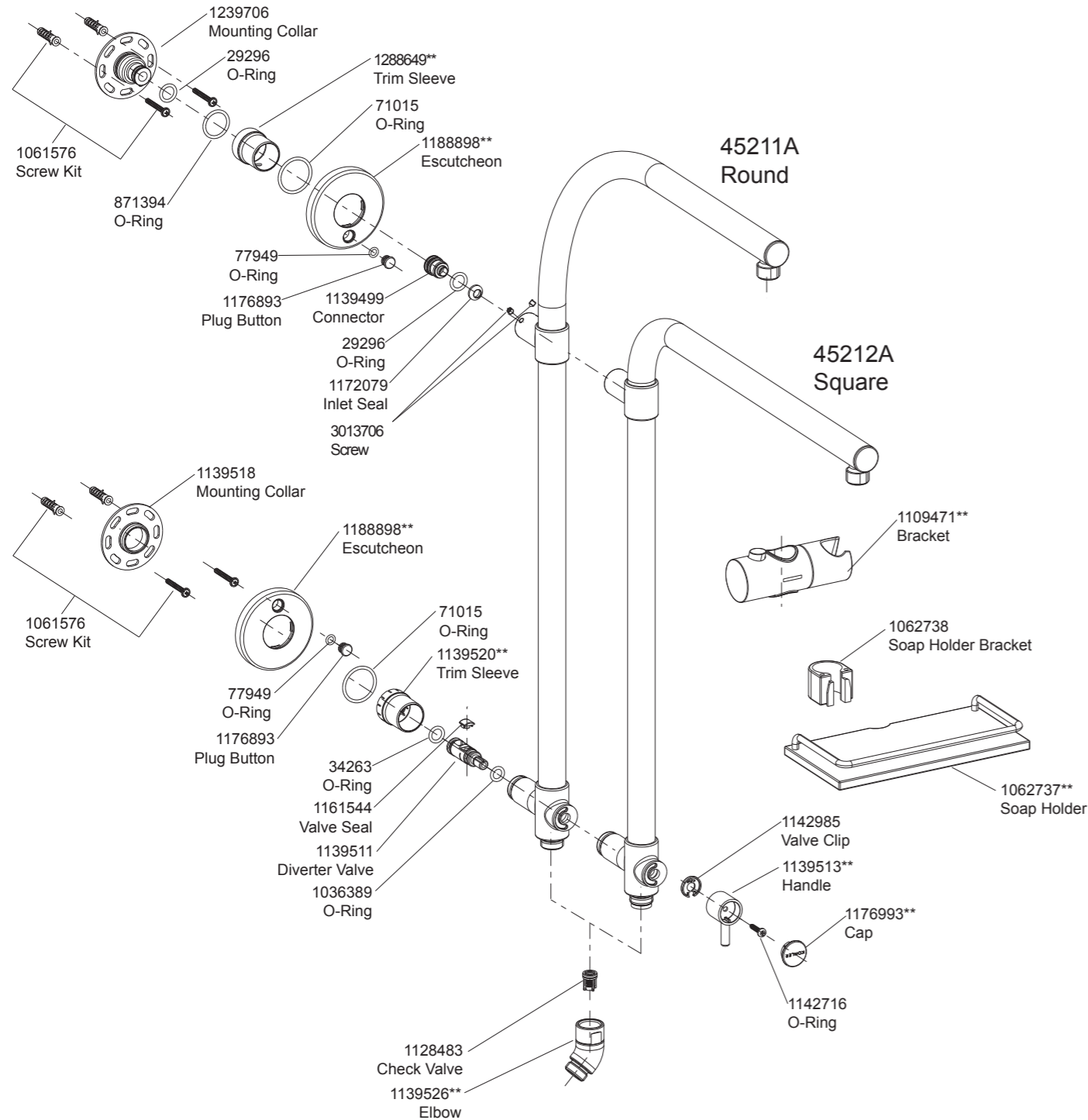


Hydrorail shower column - Square: 45212A  
Hydrorail shower column - Round: 45211A



\*\*Color code must be specified when ordering

Hydrorail shower column - Square: 45212A  
Hydrorail shower column - Round: 45211A

### BEFORE YOU BEGIN

All information is based on the latest product information available at the time of publication. Kohler Co. reserves the right to make changes in product characteristics, packaging, or availability at any time without notice.

Please leave these instructions for the consumer. They contain important information.

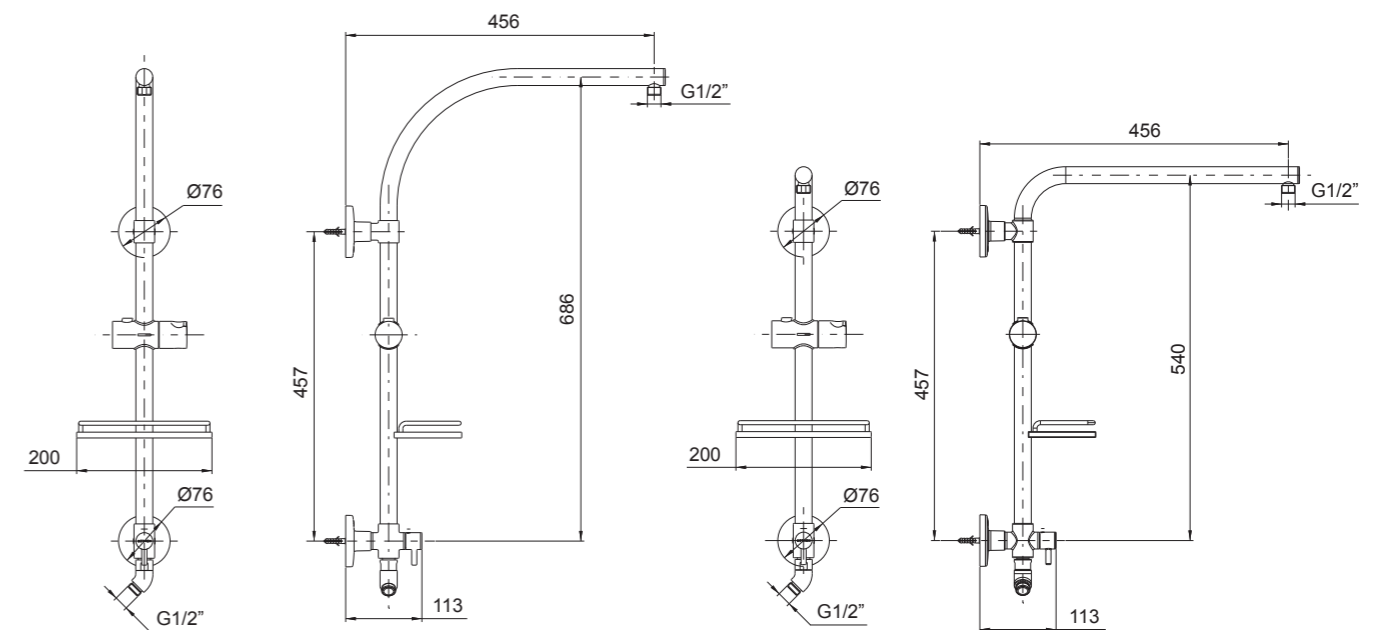
#### NOTES:

1. Flush the water supply pipes thoroughly to remove any debris.
2. An in-line water filter must be used with this product.
3. Inspect the supply pipes for damage. Replace as necessary.
4. Check for leaks before covering the pipes, repair as needed.
5. Recommended working pressure is 200 to 500kPa.
6. The highest working pressure for showerhead is 500kPa. If it exceeds 500kPa, a pressure reducer is needed. The highest water and environment temperature is 60°C. Please keep showerhead away from heater, or it may become damaged and cause injury to the user.
7. Observe local plumbing codes. All installations should comply with relevant requirements of AS/NZS 3500.

### HANDLE OPERATION

To operate the shower head turn the diverter handle clockwise, for the hand shower turn it counter-clockwise.

### ROUGH-IN DIMENSIONS



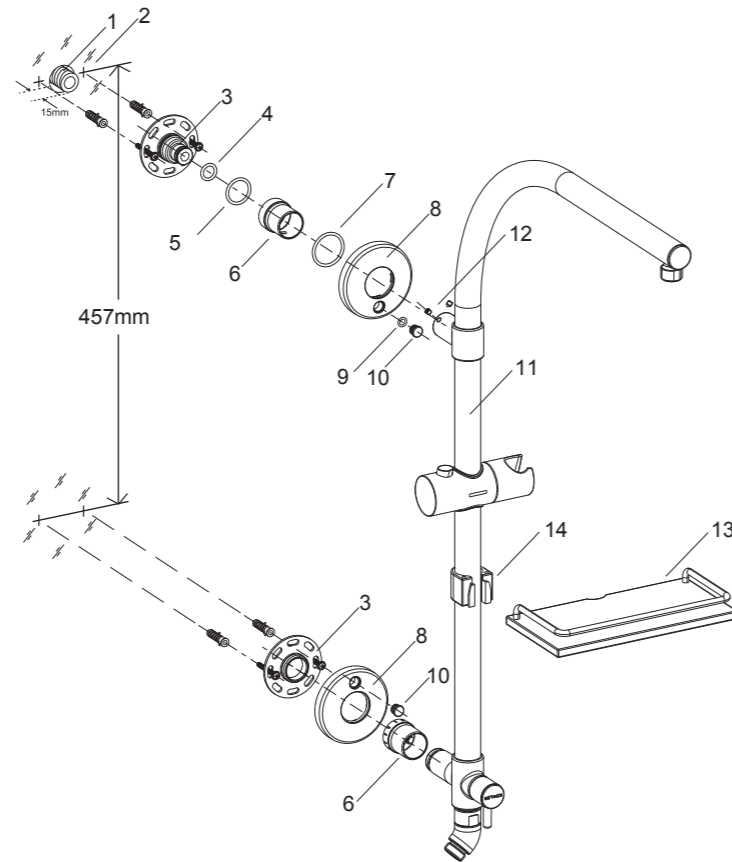
45211A

45212A

## INSTALLATION - Shower Column

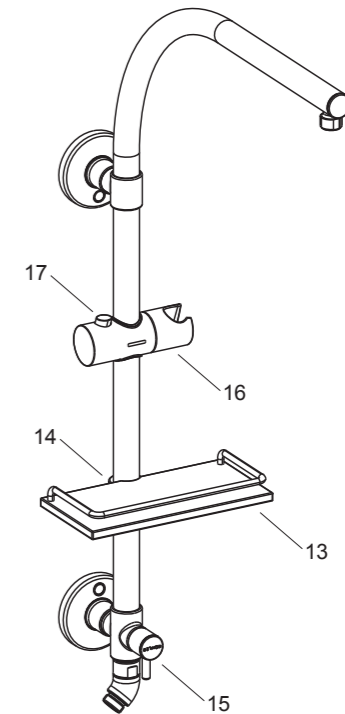
**Note:** This guide covers the installation of the shower column only. Please refer to the manufacturer's instructions for installation of other components such as the mixing valve, shower head and handshower.

- 1.) Mark fixing holes at 457mm centres. Ensure that the mounting points are aligned vertically and clear of any obstructions. Ensure the escutcheons will cover any holes in the wall. Repair wall surfaces as necessary and drill the fixing holes.
- 2.) Install G1/2" male supply fitting(1, not provided) onto the water supply pipe. The end of the fitting must be vertical (parallel with wall) and extend beyond the finished wall(2) by 15mm.
- 3.) Install mounting collars(3) onto finished wall. Ensure o-rings(4 & 5) are located correctly.
- 4.) Install the trim sleeve(6) over supply fitting and ensure that the o-ring(7) is located correctly.
- 5.) Apply a bead of silicone to the back of the escutcheons(8) and install over the mounting collars, pressing firmly against the wall. Carefully clean away any excess silicone from the escutcheons and finished wall.
- 6.) Ensure o-ring(9) is located correctly on the capping plug(10). Insert the capping plug into the escutcheon.
- 7.) Install the shower column(11) by pressing onto the mounting collars. Secure by tightening the grub screws(12).
- 8.) Install the soap tray(13) by clipping it into the mounting bracket(14).
- 9.) Install the showerhead and handshower as per the manufacturer's instructions.



## INSTALLATION CHECKOUT

- 1.) Ensure that all connections are tight.
- 2.) Remove the showerhead and handshower.
- 3.) Open the drain. Turn on main water supply, run hot and cold water through the column for about one minute, and turn the handle(15) clockwise and anti-clockwise to remove any debris and check for leaks. Repair as required.
- 4.) Reinstall the showerhead and handshower.
- 5.) The position of the handshower bracket(16) can be adjusted by depressing the release button(17) and sliding the bracket to the desired position.
- 6.) The position of the soap holder(13) can be adjusted by removing the tray and sliding the bracket(14) to desired position. Replace the tray after repositioning the bracket.



## CLEANING INSTRUCTIONS

All Finishes: Clean the finish with mild soap and warm water. Wipe entire surface completely dry with a clean, soft cloth. Many cleaners may contain such chemicals as ammonia, chlorine, toilet chemicals etc. which could adversely affect the finish and are not recommended for cleaning.

**Do not use abrasive cleaners or solvents on Kohler fittings.**