

**Color code must be specified when ordering

BEFORE YOU BEGIN

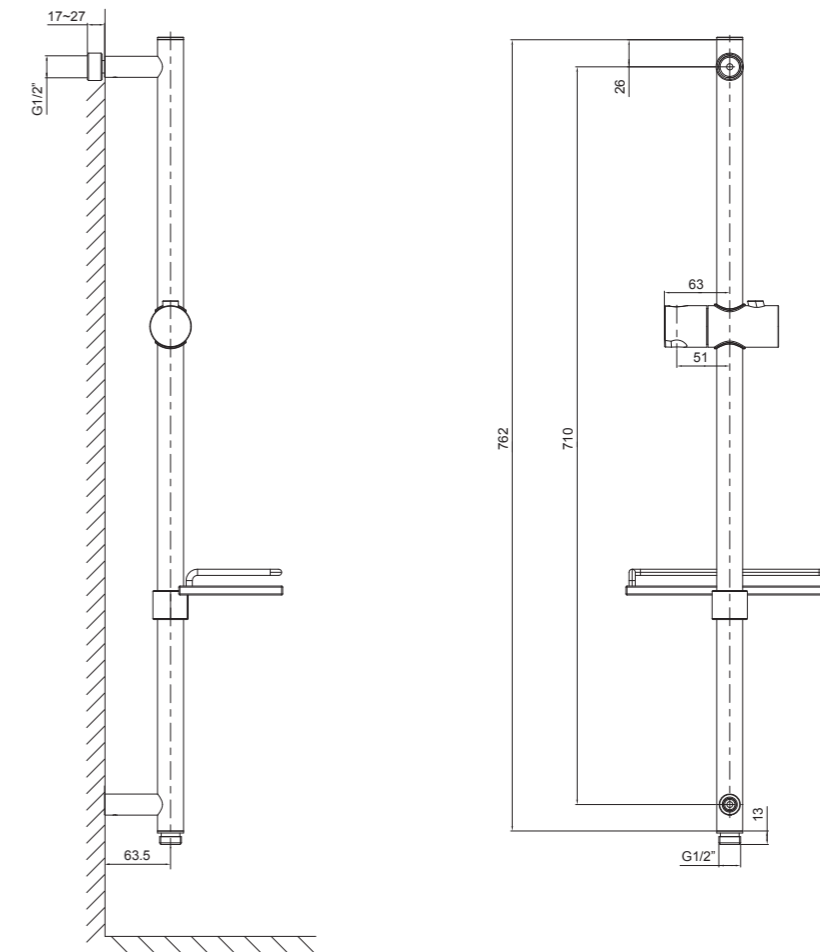
All information is based on the latest product information available at the time of publication. Kohler Co. reserves the right to make changes in product characteristics, packaging, or availability at any time without notice.

Please leave these instructions for the consumer. They contain important information.

NOTES:

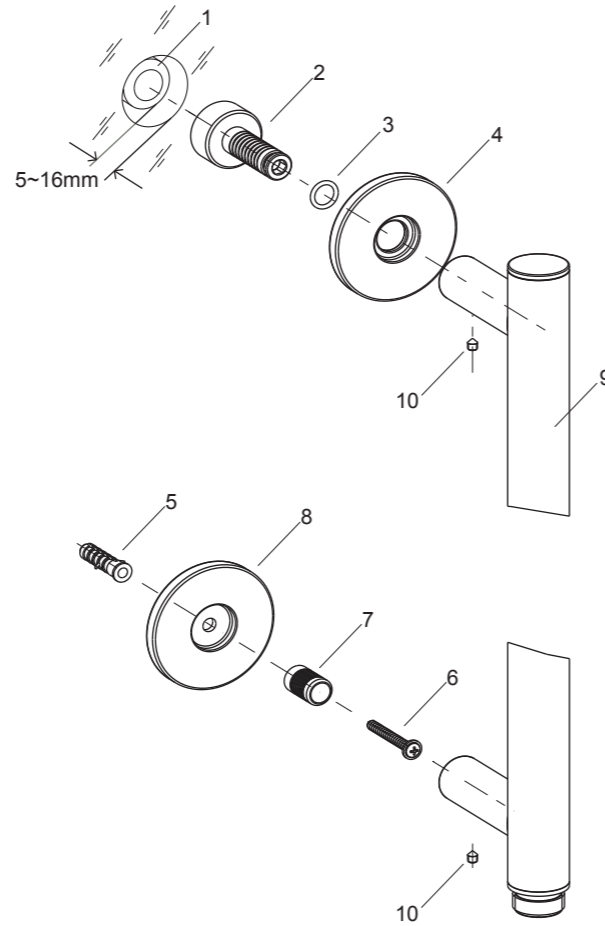
1. Flush the water supply pipes thoroughly to remove any debris.
2. An in-line water filter must be used with this product.
3. A G1/2" male fitting is required (not supplied).
4. Inspect the supply pipes for damage. Replace as necessary.
5. Check for leaks before covering the pipes, repair as needed.
6. Recommended working pressure is 200 to 500kPa (2 to 5 bar).
7. The highest working pressure for slide bar is 500kPa (5 bar). If it exceeds 500kPa (5 bar), a pressure reducer is needed. The highest water and environment temperature is 60°C.
8. Observe local plumbing codes. All installations should comply with relevant requirements of AS/NZS 3500.

ROUGH-IN DIMENSIONS



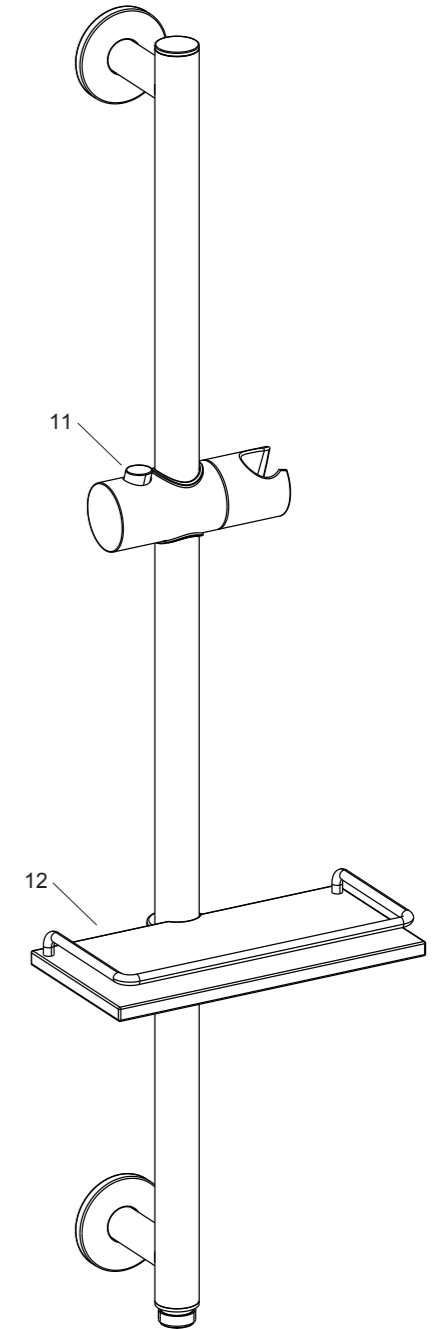
INSTALLATION - Shower Column

- 1.) Locate water supply pipe hole position in wall and ensure that the escutcheon will cover the hole. Install a G1/2" male supply fitting(1). The end of the fitting must be vertical (parallel with wall) and behind the finished wall by between 5~16mm.
- 2.) From the centre of the water supply fitting, mark and drill the hole for second fixing point. Fixing points should be aligned vertically, and 710mm between centres.
- 3.) Install inlet connector(2) onto water supply fitting.
- 4.) Ensure o-ring(3) is located correctly.
- 5.) Install the escutcheon(4) over the inlet connector.
- 6.) Insert wall anchor(5) firmly into drilled hole.
- 7.) Tighten fixing screw(6) through mounting pin(7) and escutcheon(8) to secure into wall anchor.
- 8.) Ensure handshower bracket and soap holder are correctly positioned and oriented. Install slide bar(9) onto the two fixing points.
- 9.) Tighten the top and bottom grub screws(10) to secure the slide bar.



INSTALLATION CHECKOUT

- 1.) Ensure that all connections are tight.
- 2.) Turn on main water supply and check for leaks. Repair as required.
- 3.) The position of the handshower bracket(11) can be adjusted by depressing the release button and sliding the bracket to the desired position.
- 4.) The position of the soap holder(12) can be adjusted by removing the tray and sliding the bracket to desired position. Replace the tray after repositioning the bracket.



CLEANING INSTRUCTIONS

All Finishes: Clean the finish with mild soap and warm water. Wipe entire surface completely dry with a clean soft cloth. Many cleaners may contain such chemicals as ammonia, chlorine, toilet chemicals etc. which could adversely affect the finish and are not recommended for cleaning.

Do not use abrasive cleaners or solvents on Kohler fittings.