

Product

• Kohler FamilyCare® Armrest

Kohler Code

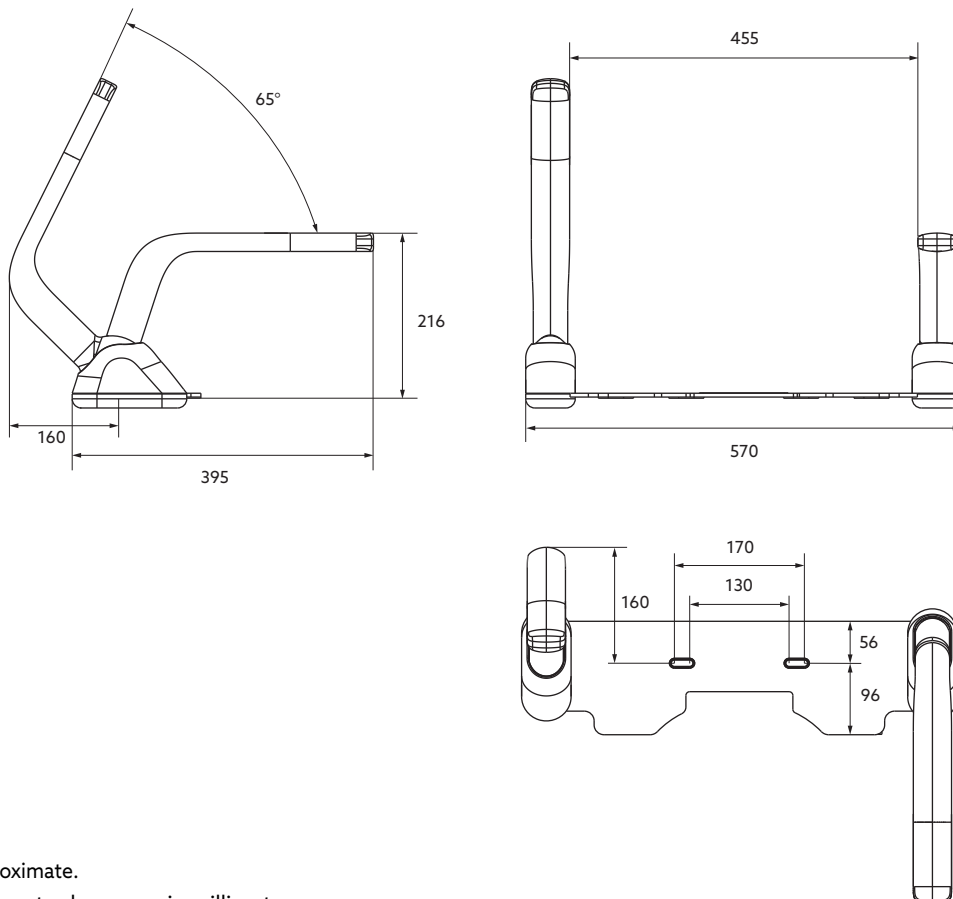
22090A-0



Features

- Install easily & directly to many Kohler & Englefield BTW toilets, and other compatible toilets.
- Arms are padded with soft touch material for a comfortable and non-slip grip and can be rotated out of the way to a vertical position.
- Provide essential assisted stability and support for sitting down.
- Perfect for seniors, arthritis sufferers and those recovering from injury or surgery.
- Height of arm: 216 mm
- Width between arm: 455 mm
- Maximum total load on both arms : 120 kg
- Mounting template is available to check the compatibility between the pan and the armrest before purchasing .

Product Drawing



Sizes are approximate.
All measurements shown are in millimetres.

Installation Options

Option A - Install with a compatible Kohler or Englefield BTW toilet as below:

Brand	Product Name	Product Code
Kohler	Veil 2PC BTW Toilet	23622A-0
Kohler	Kohler Dual BTW Toilet	4346A-0
Kohler	Parliament BTW Toilet	77304A-0
Englefield	Evora Rimless BTW Toilet	29484A-0
Englefield	Evora II Rimless BTW Toilet	35457A-0
Englefield	Evora II Raised Height BTW Toilet	27987A-0
Englefield	Milano BTW Toilet	7380A-0
Englefield	Valencia BTW Toilet	98277A-0
Englefield	Valencia Close Coupled Toilet	77912A-0

Option B - Install with another BTW toilet ensuring that each of the following criteria are met:

1. Min. clearance (A) from the front of toilet cistern to the toilet seat mounting holes is 60mm.
2. Min. pan width (C) at position (B) is 310mm to provide a strong support to the arm rest.
3. The distance between the toilet seat mounting hole centres (D) is from 130mm to 170mm.
4. The toilet pan must be screwed/bolted to the finished floor/brackets.
5. The armrest must be appropriately supported on the toilet pan with minimum overhang.

