

**Product**

- Veil wall hung intelligent toilet

**Kohler Code**

5402A-0



**Included Components**

- Veil wall hung toilet with integrated bidet.
- In wall cistern - Hydro tower 500 (4.5/3L).
- Touchless flush button panel.
- Wireless one touch remote.
- Waste pipes (S & P trap) & straight inlet connection pipe.



WELS RATING  
(4 Star 3.5L av. flush)

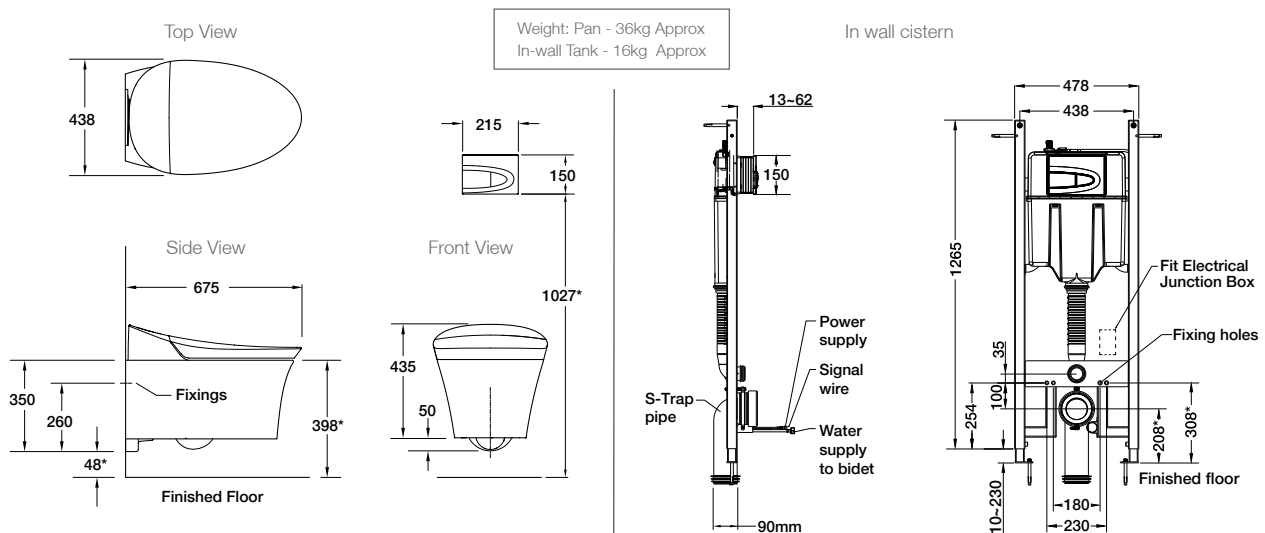
**Toilet Features**

- Touchless flush button panel in Honed White.
- Ergonomic french curve seat with antibacterial material.
- Sensor activated auto open and close function for seat lid.
- Insulated in-wall cistern - fully framed.
- Automatic, touchless or manual Dual flush (4.5/3L).
- Built in LED night-light.
- Deodoriser function.
- Back up shut-off valve located on cistern.
- Rimless pan design.
- Vitreous china.

**Bidet Features**

- Instantly heated water with stainless steel wand.
- Spray wand features adjustable water pressure and temperature, and oscillate and pulsate functions.
- Air blower and heated seat with adjustable temperature.
- Self cleaning and UV sanitising nozzle.
- Seat maximum weight limit: 200kg.

**Technical Details**



\* Nominal dimensions based on in-wall tank being installed at designated height.  
This height can be adjusted to suit user preference.

**Installation Notes:**

- Water supply pressure range: Min 70kPa - Max 500kpa.
- Power supply requirements: Dedicated 10A min, 220~240V AC, 50/60Hz supply with ELCB or GFCI.  
Rated power:1000W. Max instant power: 1600W.
- In-wall cistern has an adjustable height and is designed to be fixed to the floor & studs using coach screws (not supplied).
- IMPORTANT: This toilet must be installed in accordance with AS/NZS 3500.1 Plumbing and Drainage.