

Product

- Evok 2.0 seamless round freestanding bath

Kohler Code

25163A-0

**Included Components**

- 40mm chrome pop-up waste and overflow

Features

- Fully reinforced Freestanding Slimline acrylic bath
- Seamless smooth gloss finish for easy clean
- Extra slim 25mm rim offering a minimalist elegant design
- Ergonomically designed, bringing a deep luxurious soaking experience

Material

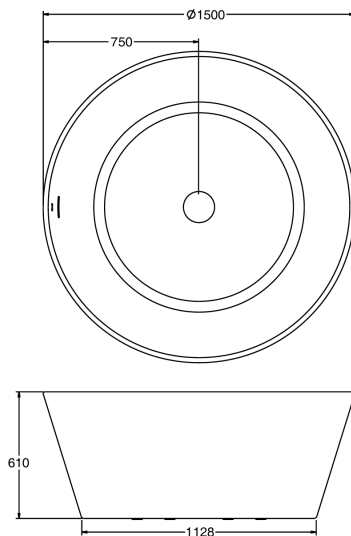
- Acrylic

Colour

- White

Technical Details

Top View



Front View

External Measurements
L 1500 x W 1500 x D 610**Internal Measurements**
Base: Ø908mm
Depth to overflow: 410mm**Full Capacity: 390 L**
Dry Weight: 58 kg**Installation Notes:**

- Floor must provide support for a minimum of 400kg/m² and must be level.